

NATIONAL
ALUMINIUM
PRODUCTS CO.
SAOG,
RUSAYL, OMAN



Extruding Omani Creativity

PRODUCT CATALOGUE




His Majesty

Sultan Qaboos bin Said

INDEX

COMPANY PROFILE	01
MACHINERY	03
SLIDING DOORS & WINDOWS	05
HINGED DOORS & WINDOWS	56
CURTAIN WALL	100
SHOP FRONT	116
HANDRAIL	121
LOUVER	128
STANDARD PROFILES	136
MISCELLANEOUS PROFILES	157



National Aluminium Products Company SAOG (NAPCO) was established in 1984 and is one of the leading extruders of aluminium profiles in the GCC market. Located in the Sultanate of Oman, the manufacturing plant is spread over 49,000 sq meters in the Rusayl Industrial estate.

NAPCO offers a wide range of Aluminium profile extrusions in an array of finishes that suit functional modern design specifications and the company has left its mark on the architectural landscape of the Middle East, with its renowned quality products being used in a number of prominent structures.

Our annual production capacity is 18,000 MT, with two state of the art extrusion presses from SMS Hansclever, Germany (2000 MT) and Danieli Breda, Italy (2800 MT).

The extrusion presses are complemented by one anodizing line and a powder coating from Ercon, UK with a capacity of 7000 MT per annum. NAPCO also has a wood/marble finish (NATURALL) powder coating plant from Eural-laca, Italy. NAPCO's commitment to quality has made it the first extrusion company in the Gulf to receive ISO certifications.

With a consistent focus on innovative designs and high service standards, we will continue our objective to meet customer demands and expectations.

NAPCO customers are spread across several countries in

**| The Middle East | Europe |
| Africa | South East Asia |
| USA |**





Technical Information on Aluminium Extrusions supplied by NAPCO

A. EQUIPMENT & CAPACITY

Major Equipment:

2000 MT Schloeman Press from SMS Schloeman, Germany

2800 MT Press from Daneili Breda, Italy

One Anodizing Plant from SMS, Germany and Metachem, Germany

One Powder Coating Plant from Ercon, UK

NATURALL, Wood Finish Powder Coating from Eurolacca, Italy

Current Capacity per Annum

Extrusion: 18000 MT

Powder Coating: 7000 MT

Anodizing: 2400 MT

B. GENERAL SPECIFICATIONS:

1) Alloy Range AA 6060, 6063, 6005 & 6082 in T4, T5, T6 & T66

i. Chemical Composition As per EN 573 - 3, EN 12020 - 1

ii. Mechanical Properties As per EN 755 - 2

2) Max Profile Size CCD Hollow: 200 mm max

Flat: 240 mm max

(Based on the profile design higher sizes can be taken up for extrusions)

3) Length 6800 mm max

4) Dimensional tolerance As per EN 12020 - 2 , EN 755 - 9

5) Profile Weight 150 gms /m to 15 kg/m.

C. PRODUCT RANGE

NAPCO offers a range of over 6000 profiles to suit the architectural and manufacturing industry. NAPCO also develops exclusive dies for customers against their own designs.

- Aluminium extrusions in:

Mill Finish

Anodized

Powder Coated and Natural Wood Finish

- Façade Systems:

NAPCO is in partnership with world renowned façade system houses in the GCC. Please contact us to discuss your best-fit solution.

D. ANODIZING

NAPCO has one anodizing line employing sulphuric acid anodizing process offering a wide range of colour shades such as Silver, Bronze and Black with scope of development of other shades to suit customer requirements.

Specifications: DC Sulphuric Acid Anodizing
As per EN 12373 - 1 and BS 3987 : 1991
Qualanod Approved

E: POWDER COATING

NAPCO has one powder coating plant with IR curing oven. Polyester powder coating of over 200 RAL shades. The colour coat thickness, in exposed areas is around 60- 80 microns.

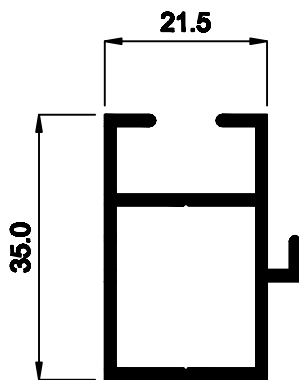
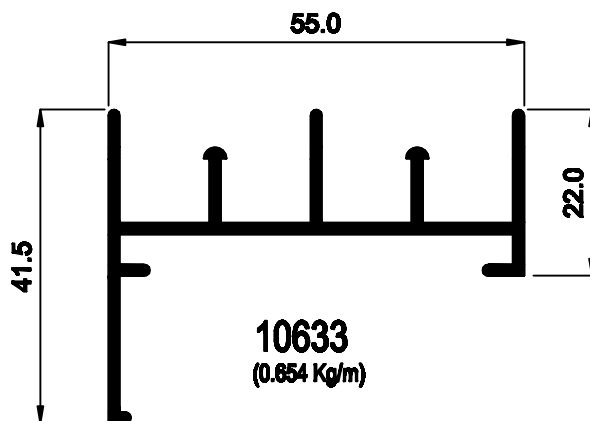
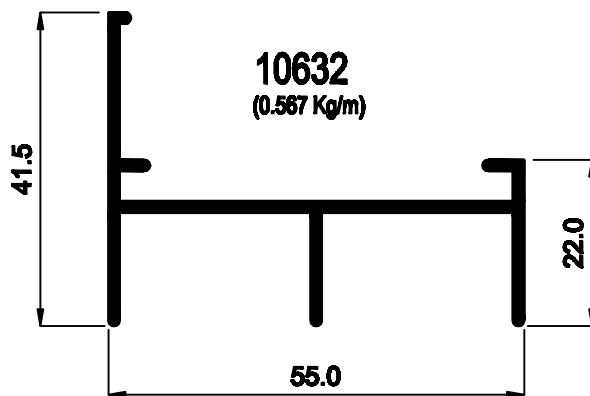
NATURALL finish is available in nine combinations of wood patterns.

Specification: As per BS 6496
Qualicoat Approved

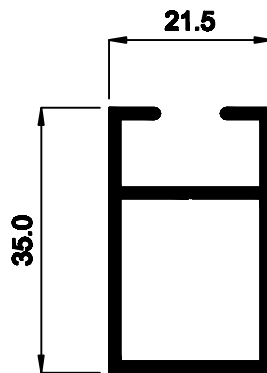


SLIDING DOORS & WINDOWS

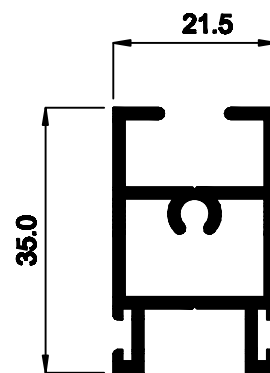
SLIDING - 55 mm



20650
(0.507 Kg/m)

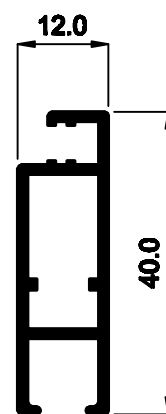
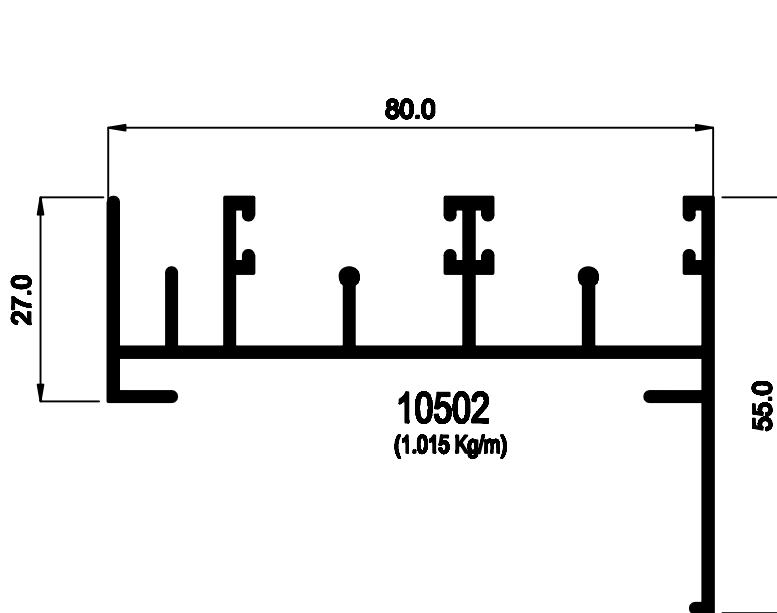
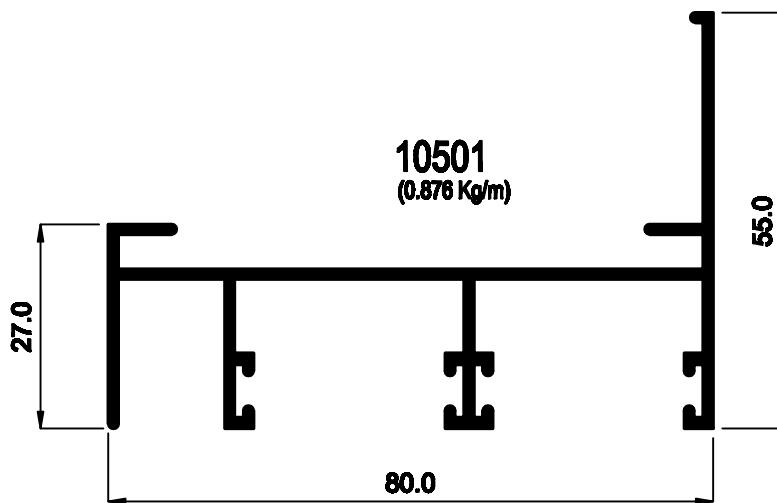


20651
(0.476 Kg/m)

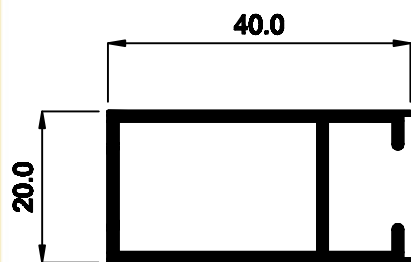


20652
(0.552 Kg/m)

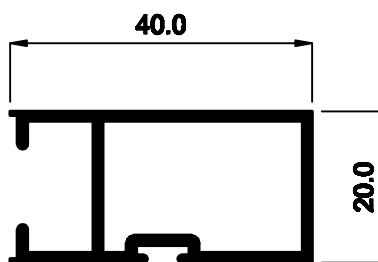
SLIDING - 80 mm



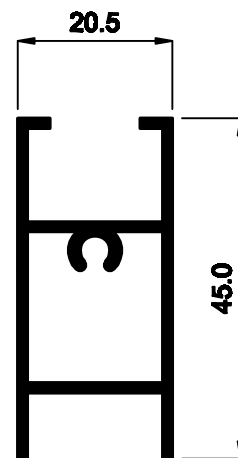
20394
(0.365 Kg/m)



20282
(0.425 Kg/m)

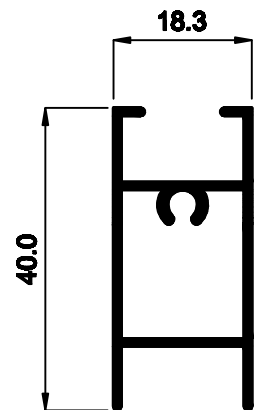
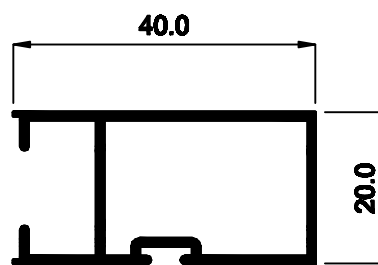
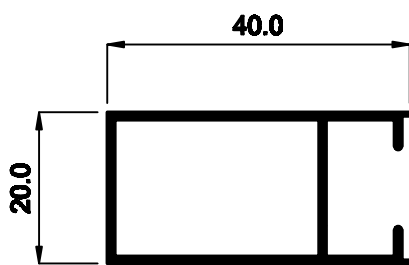
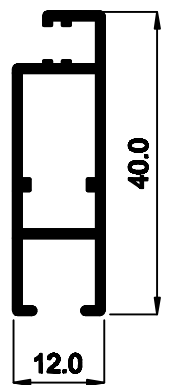
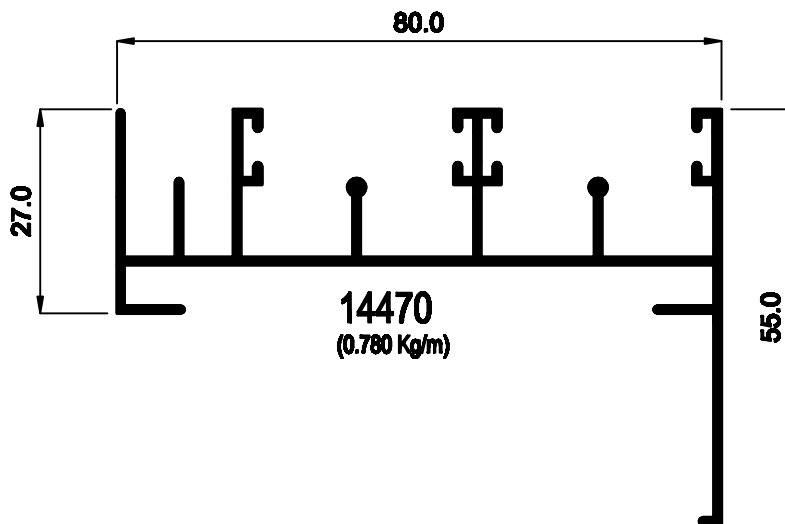
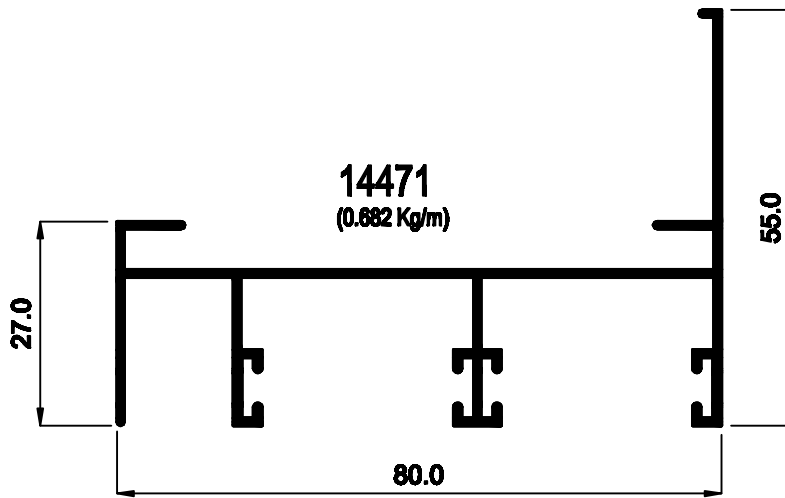


20283
(0.495 Kg/m)

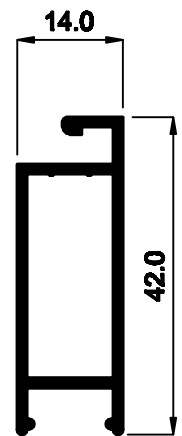
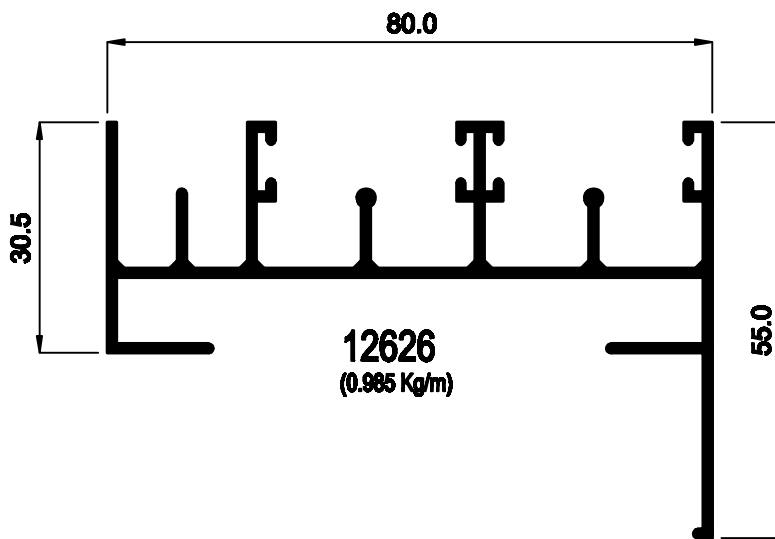
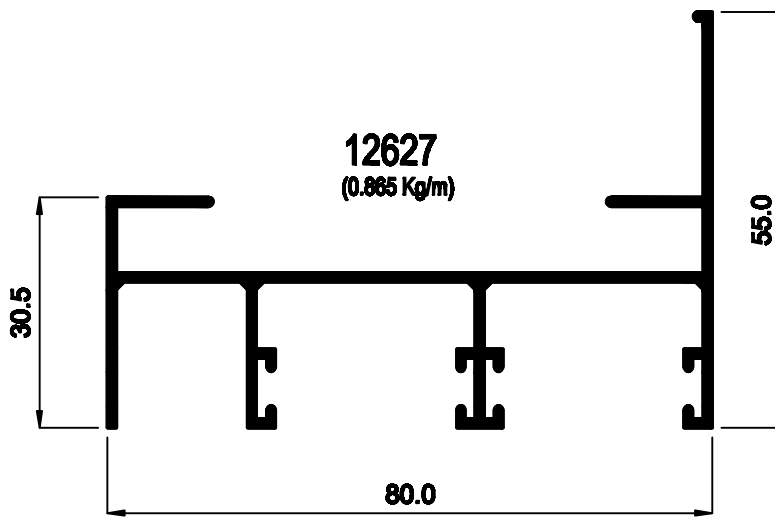


20040
(0.503 Kg/m)

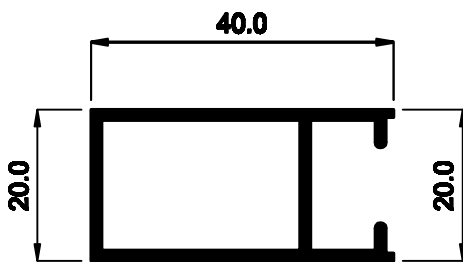
SLIDING - 80 mm



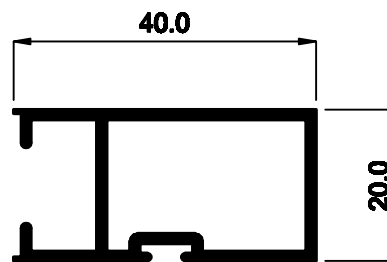
SLIDING - 80 mm



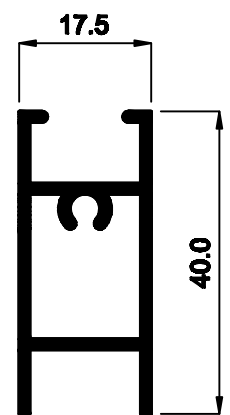
20083
(0.396 Kg/m)



20288
(0.460 Kg/m)

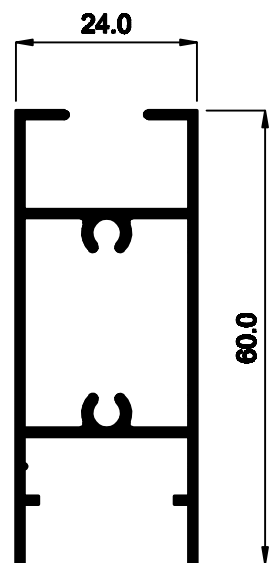
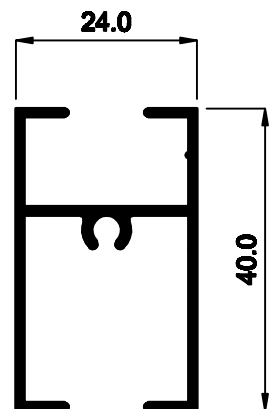
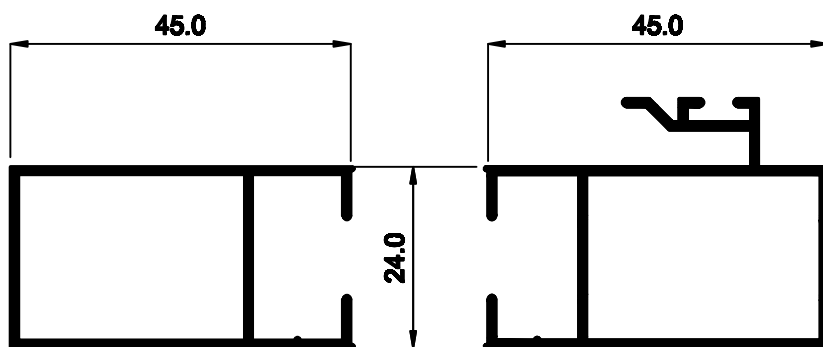
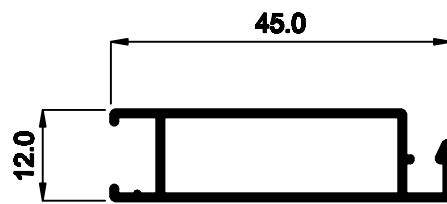
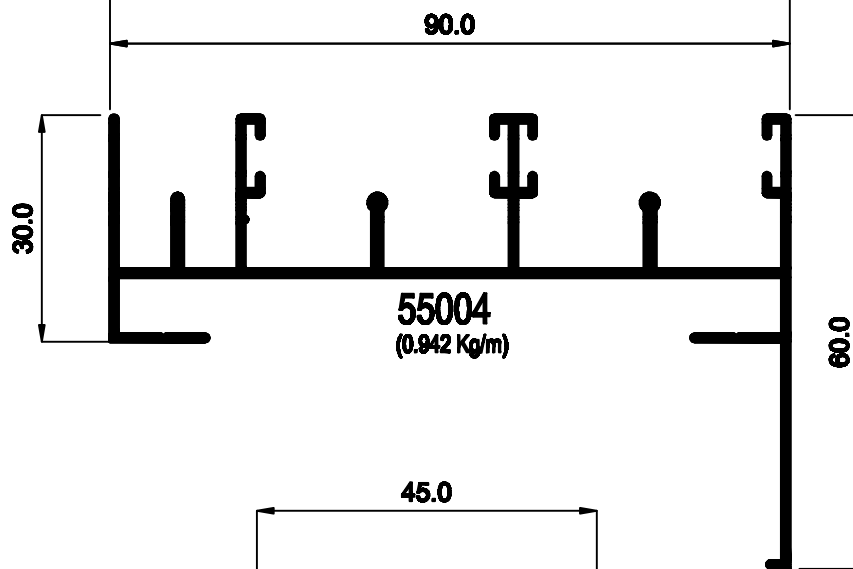
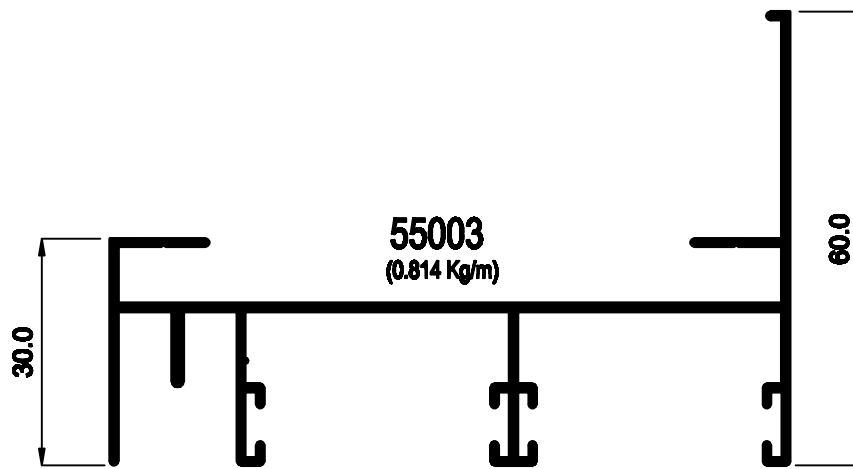


20283
(0.495 Kg/m)

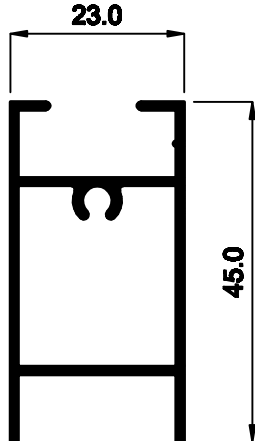
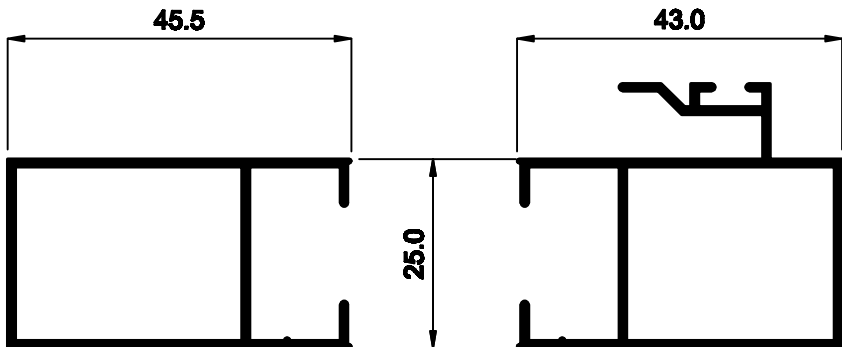
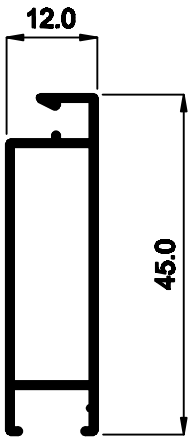
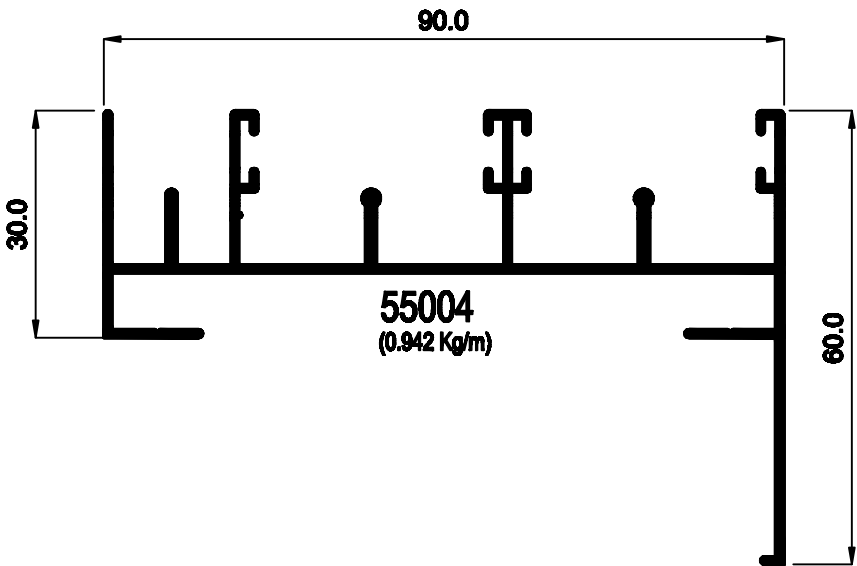
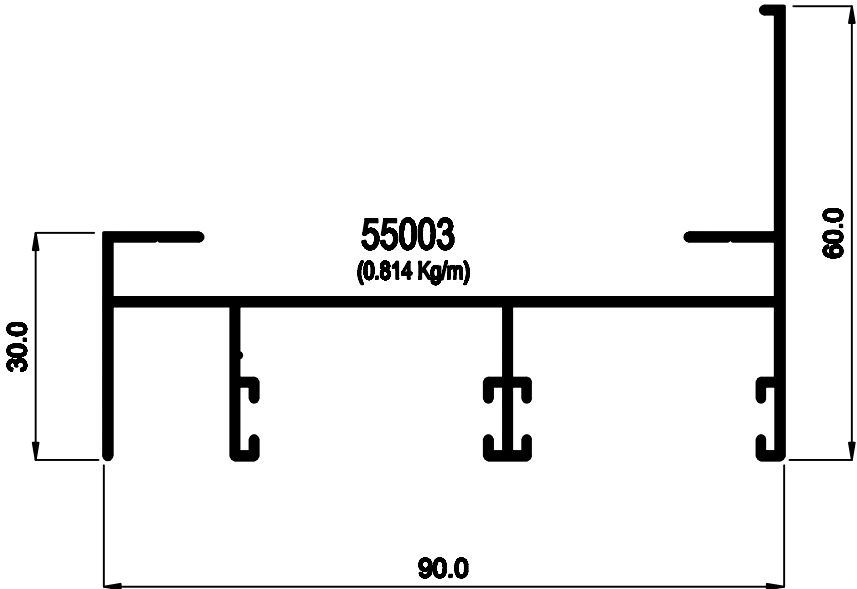


20287
(0.478 Kg/m)

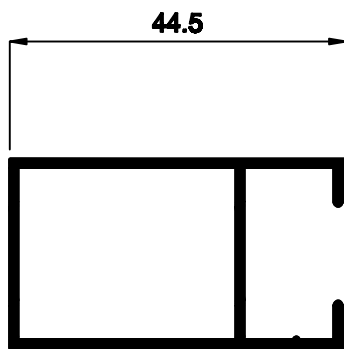
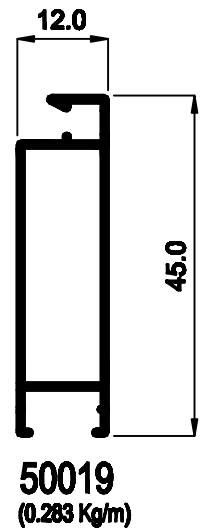
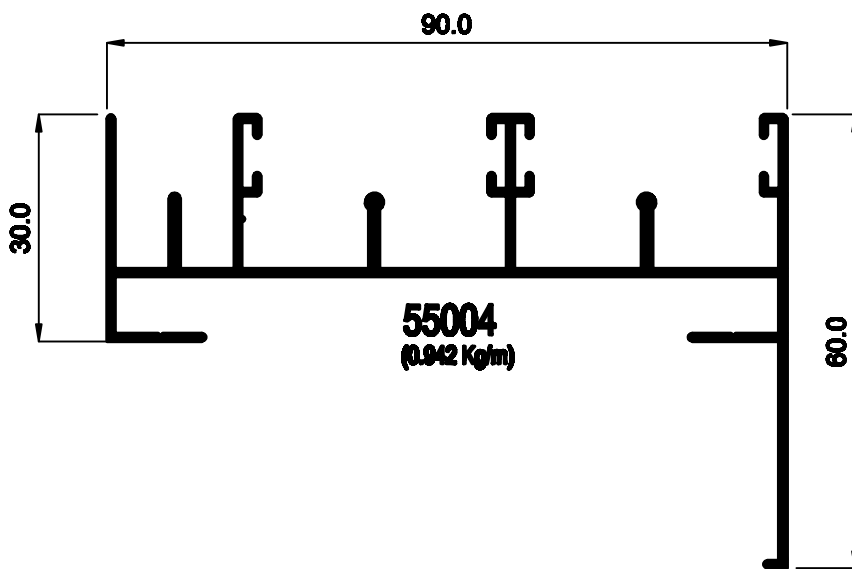
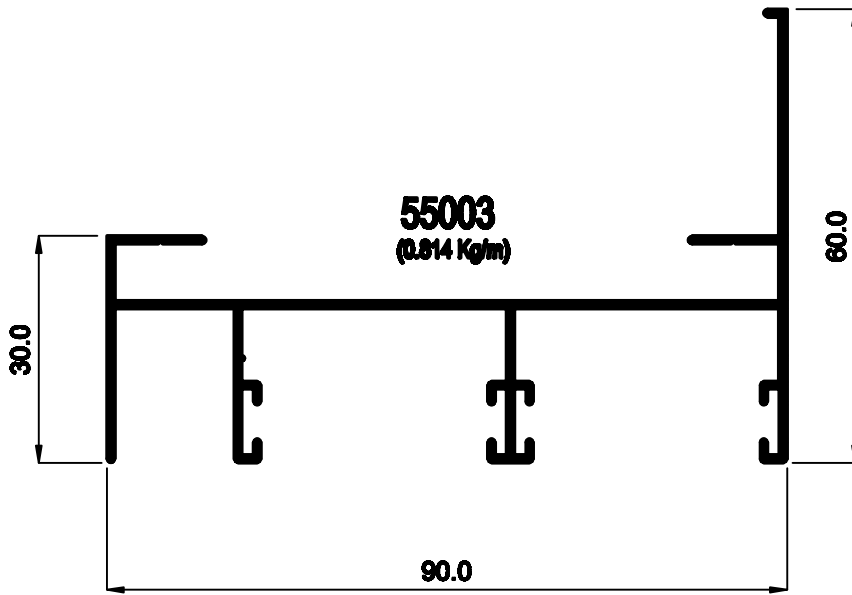
SLIDING - 90 mm



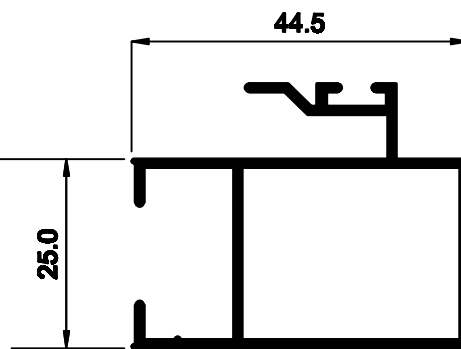
SLIDING - 90 mm



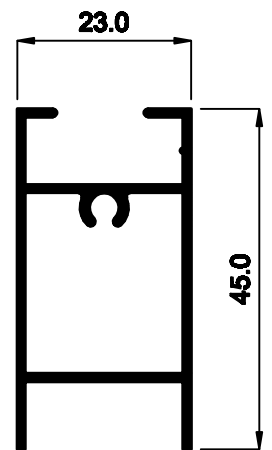
SLIDING - 90 mm



(... Kg/m, '0.429 /a ~)

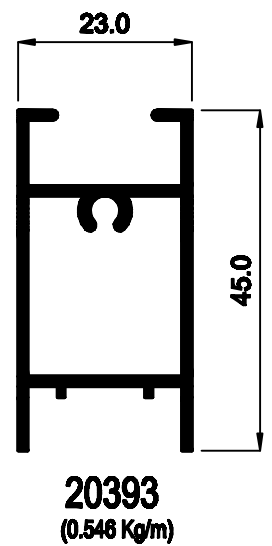
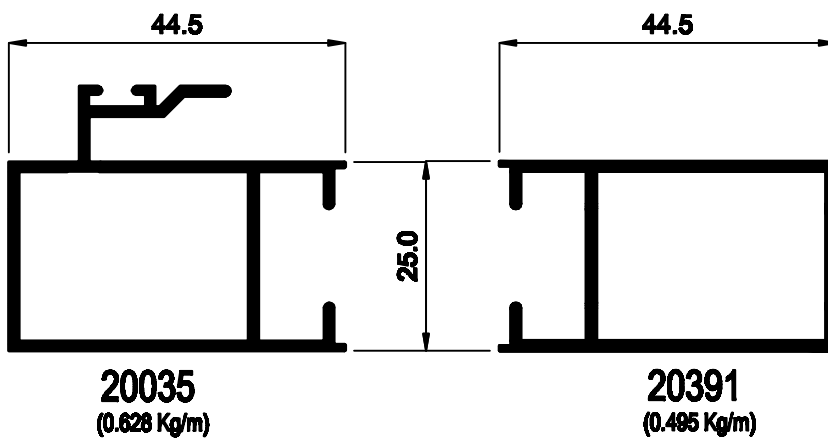
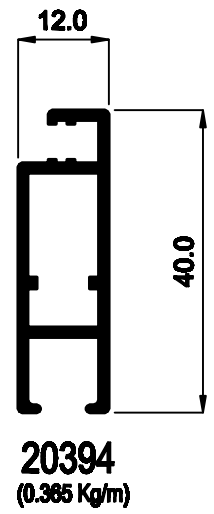
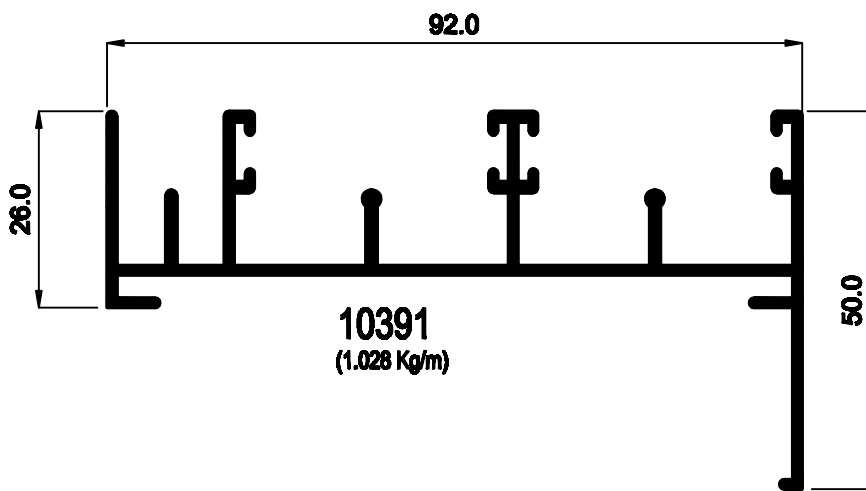
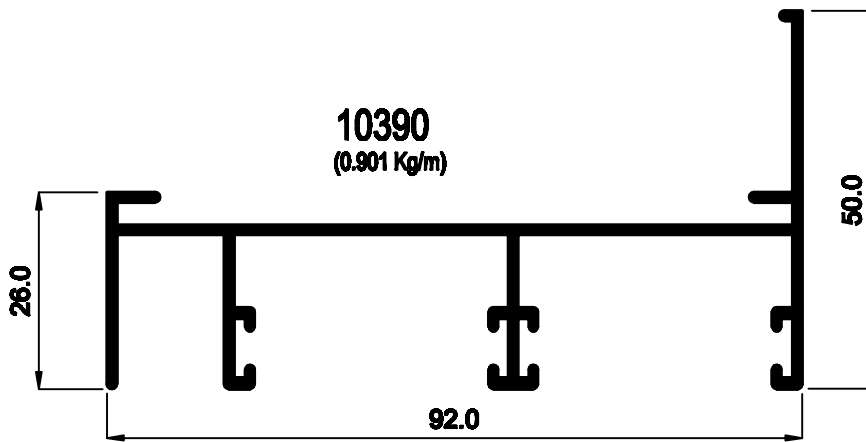


(... Kg/m, '0.54' /a ~)

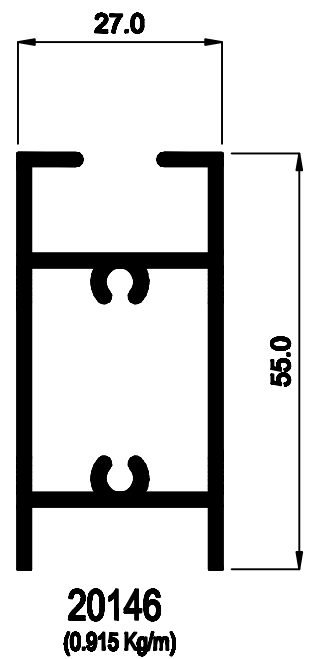
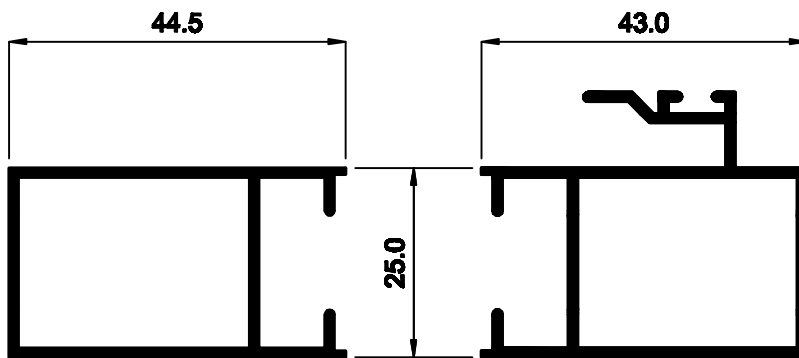
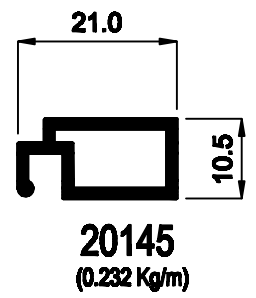
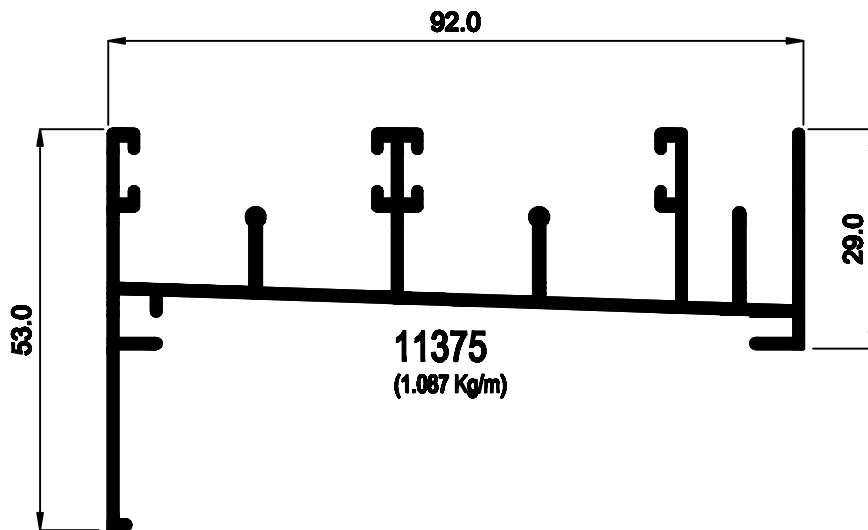
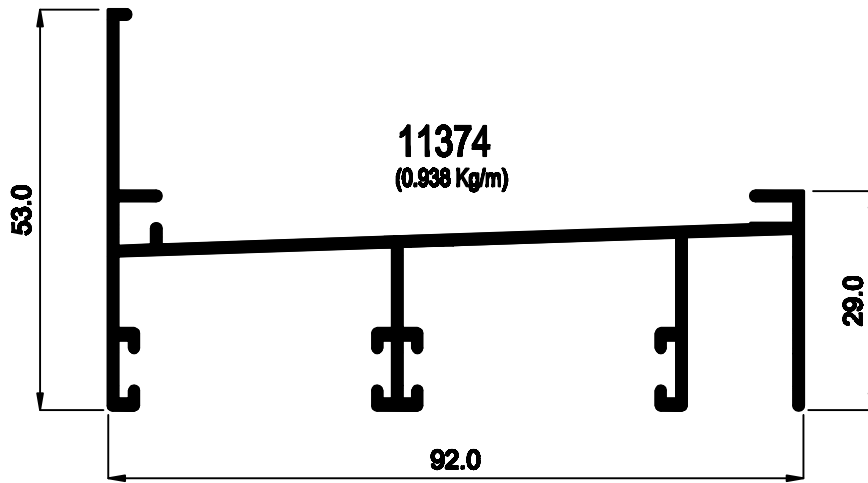


(... Kg/m, '0.4'5 /a ~)

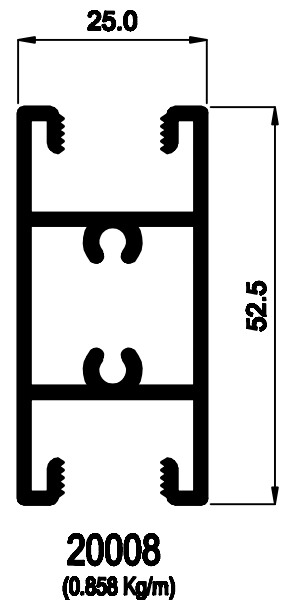
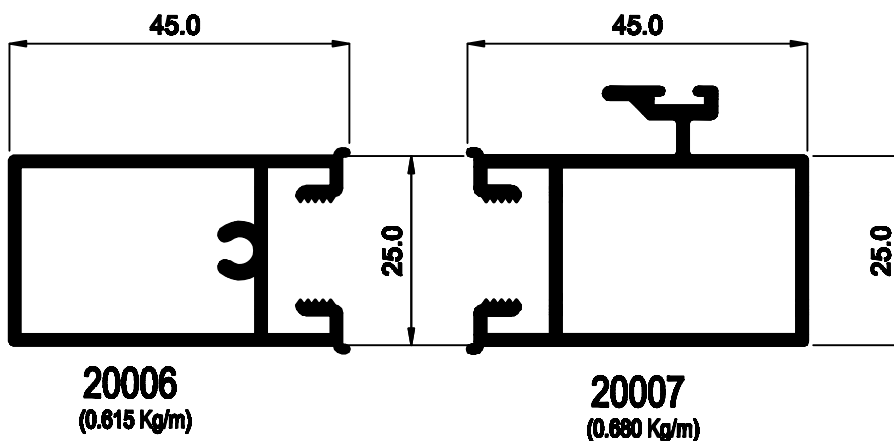
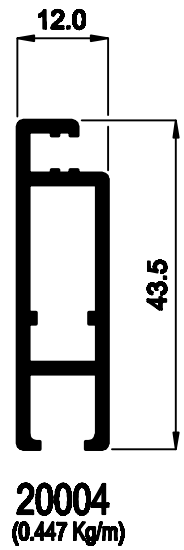
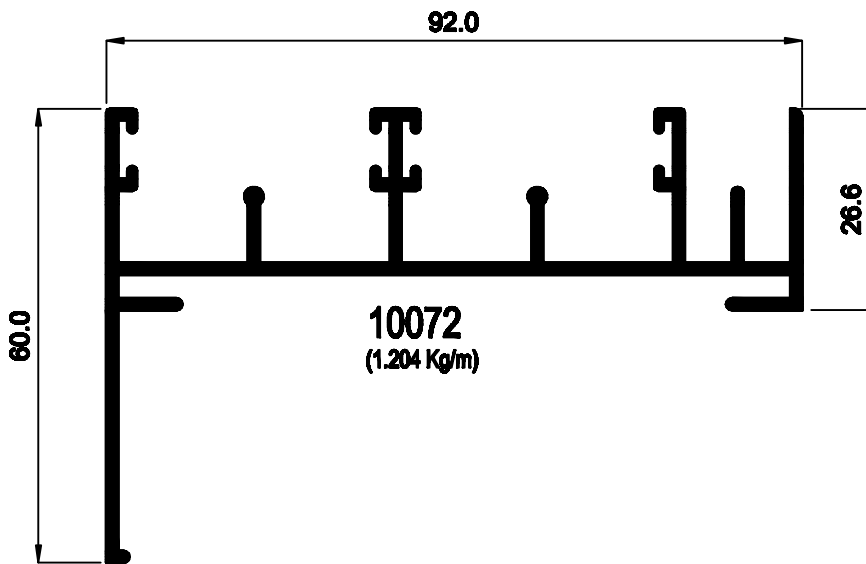
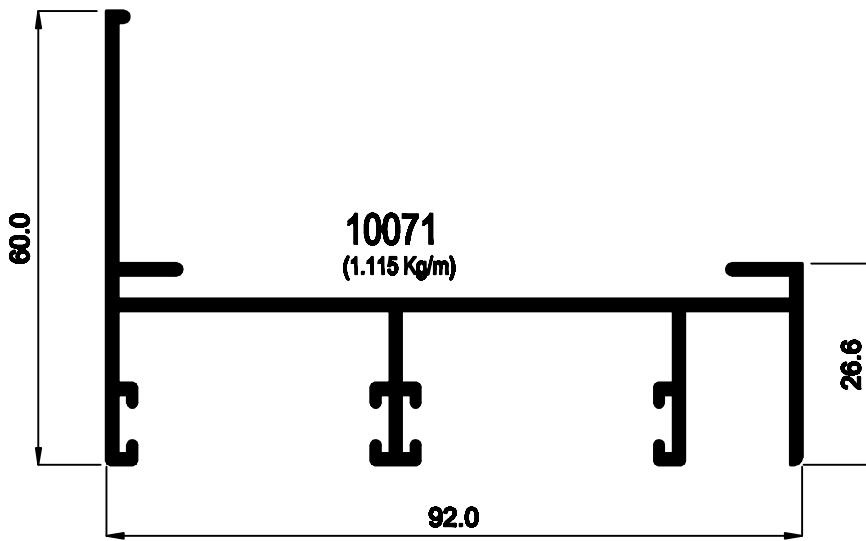
SLIDING - 92 mm



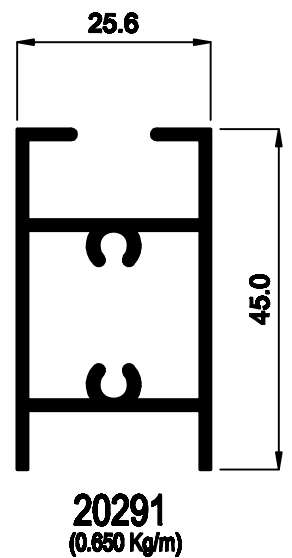
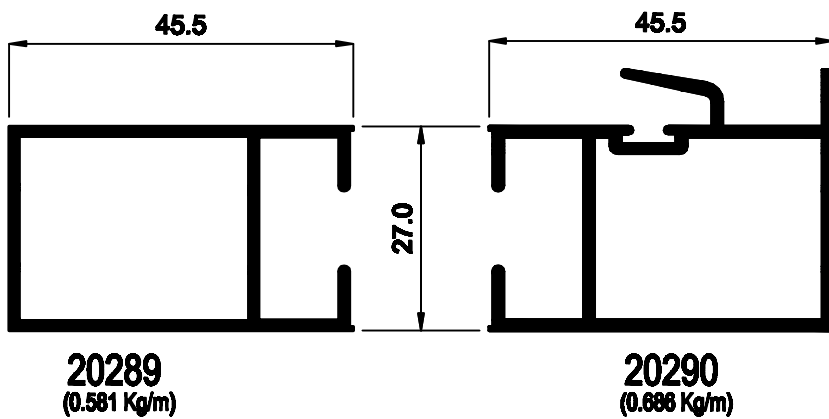
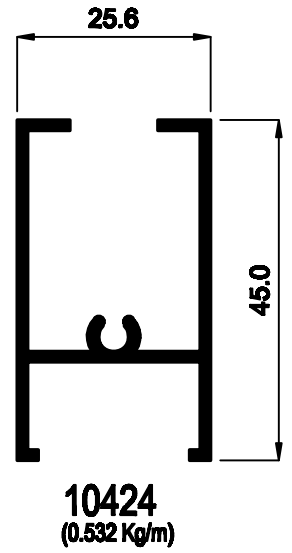
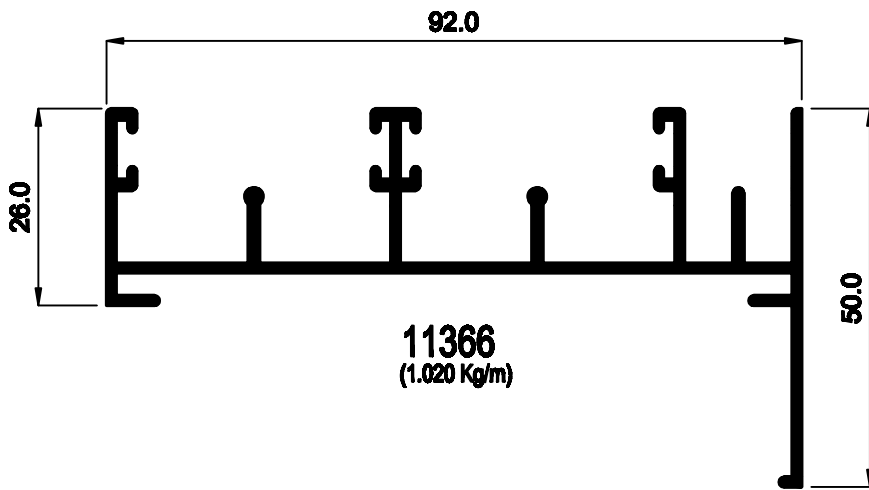
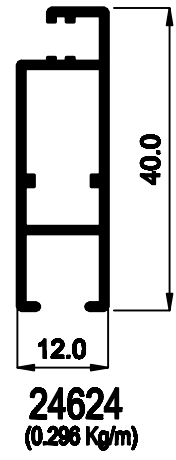
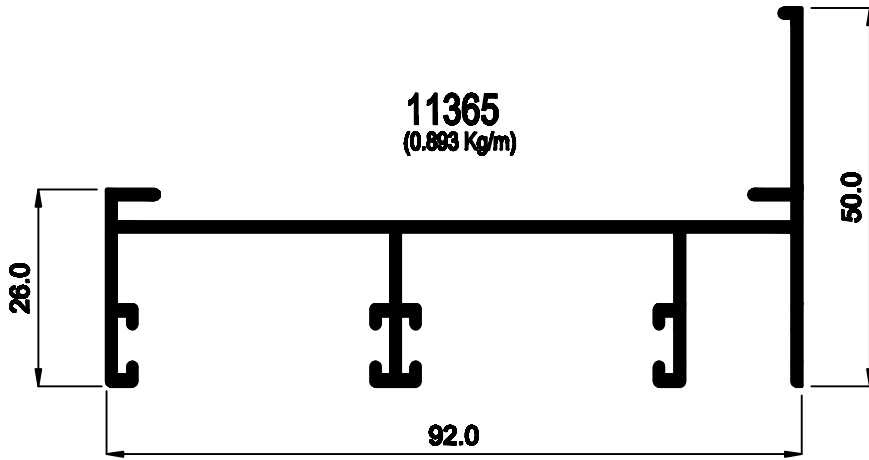
SLIDING - 92 mm



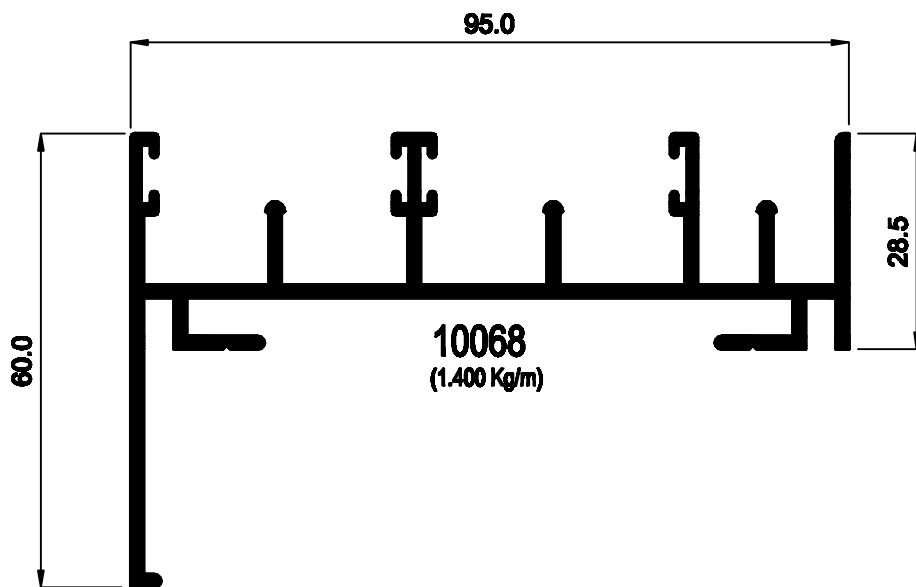
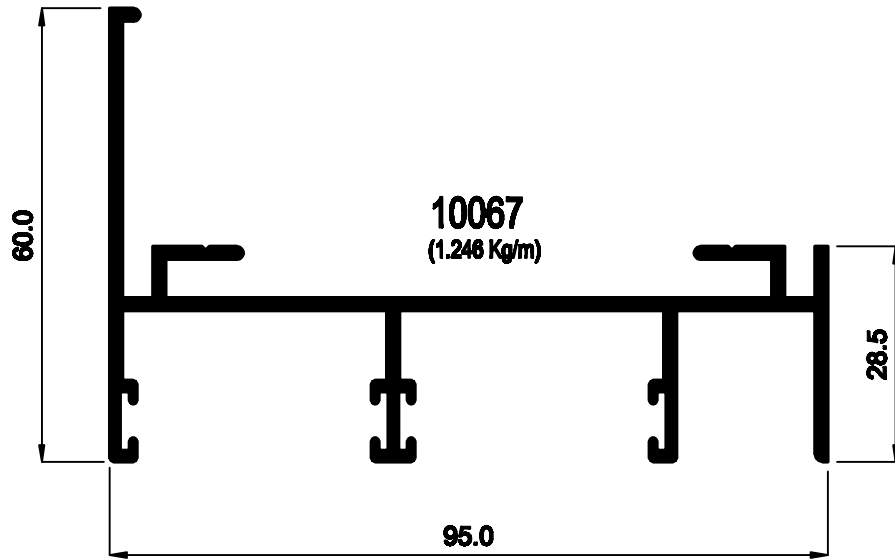
SLIDING - 92 mm



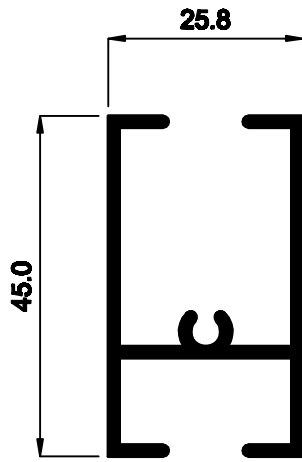
SLIDING - 92 mm



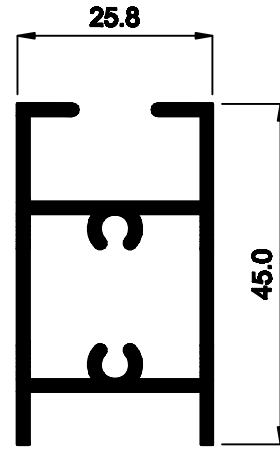
SLIDING - 95 mm



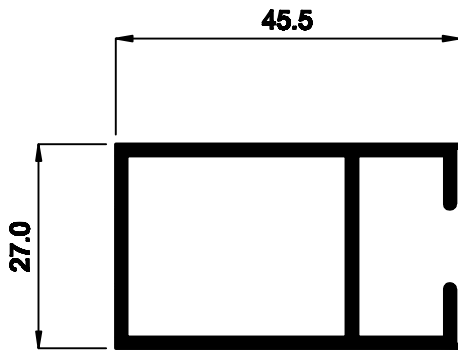
SLIDING - 95 mm



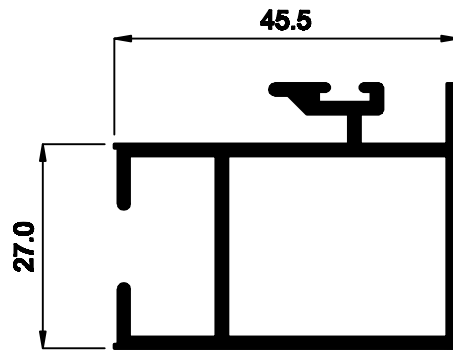
10069
(0.622 Kg/m)



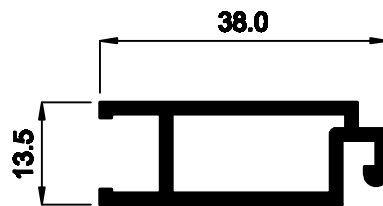
20065
(0.682 Kg/m)



20064
(0.622 Kg/m)

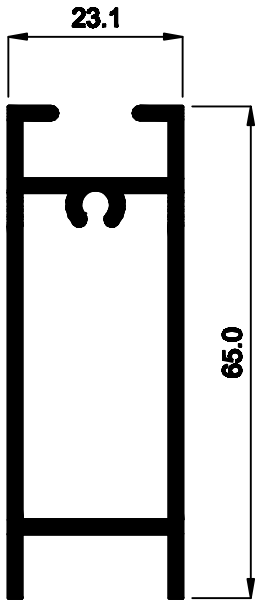
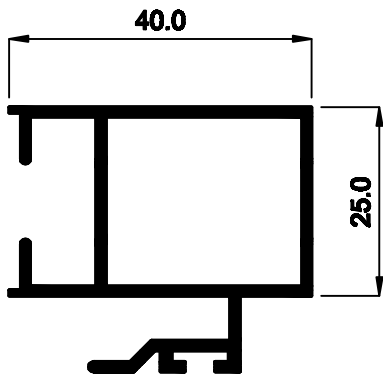
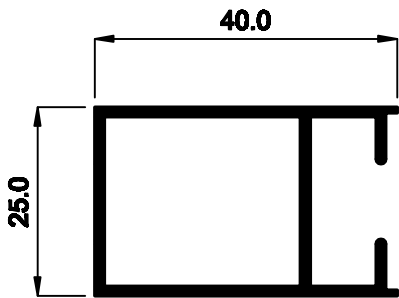
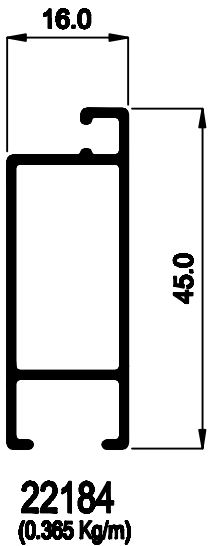
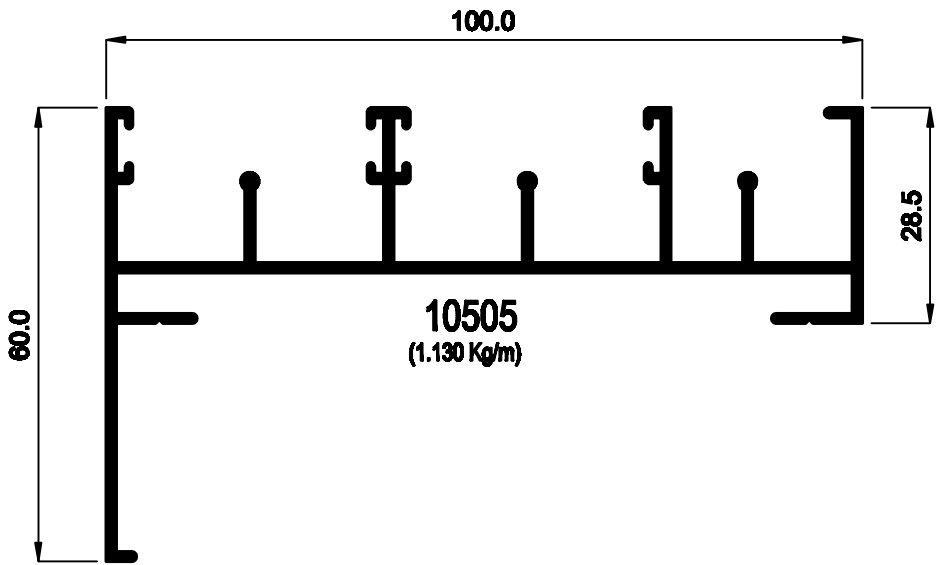
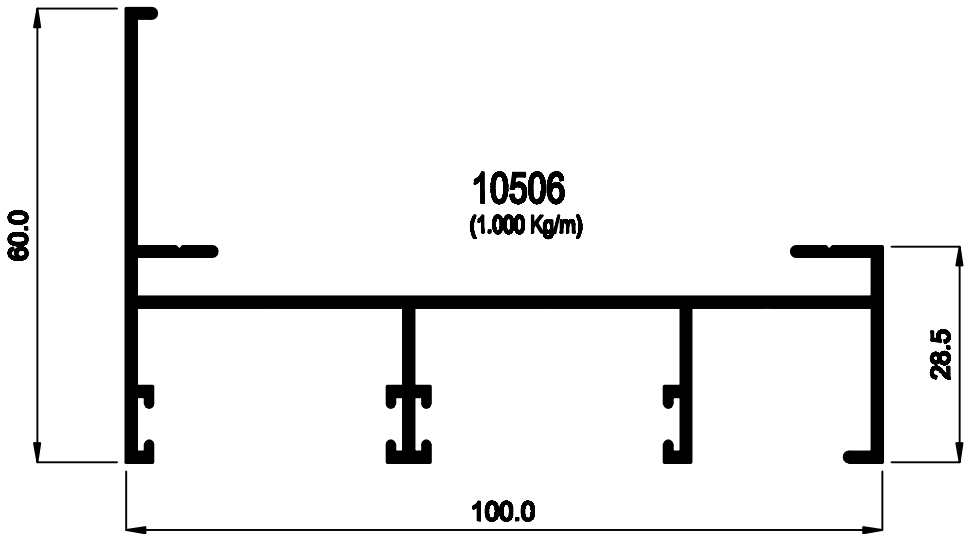


20066
(0.758 Kg/m)

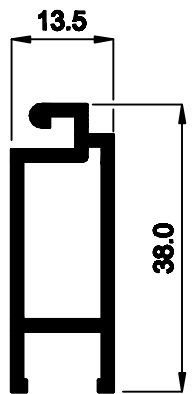
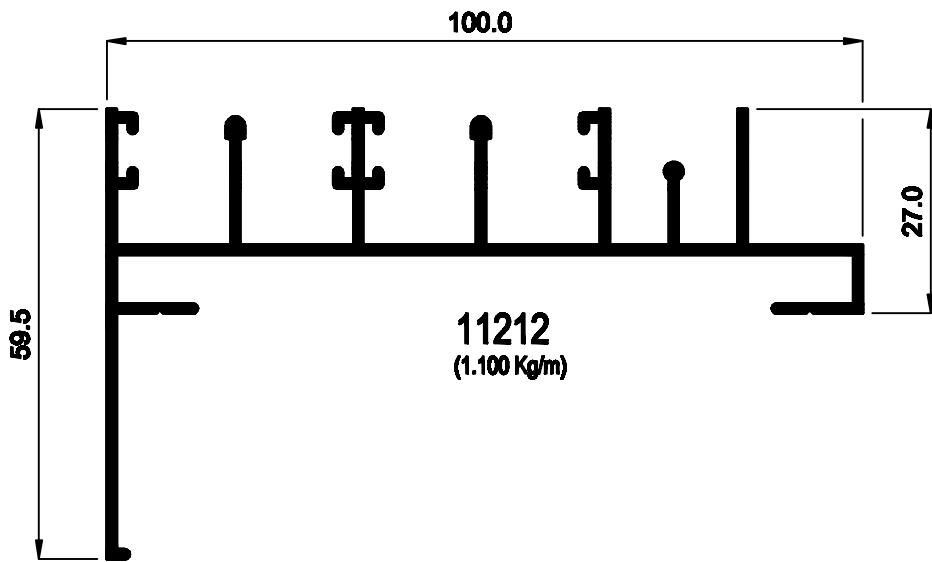
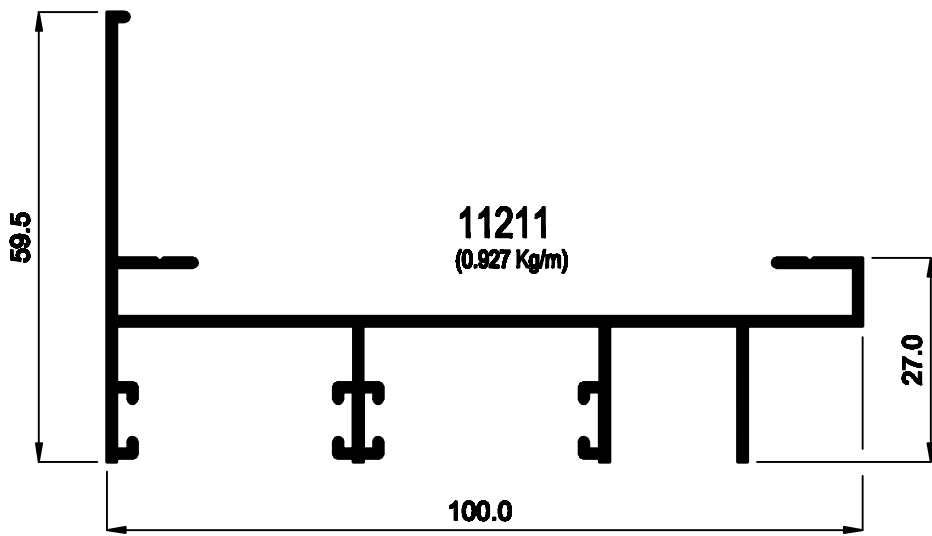


20067
(0.414 Kg/m)

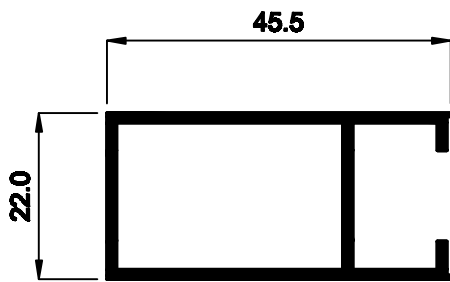
SLIDING - 100 mm



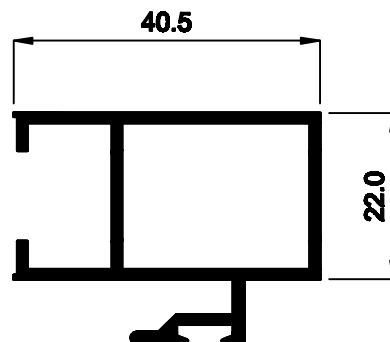
SLIDING - 100 mm



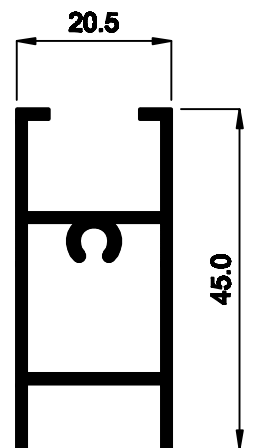
20067
(0.414 Kg/m)



20038
(0.481 Kg/m)

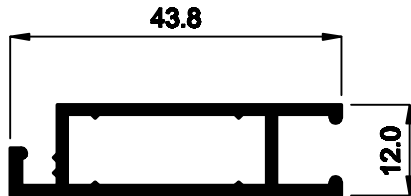
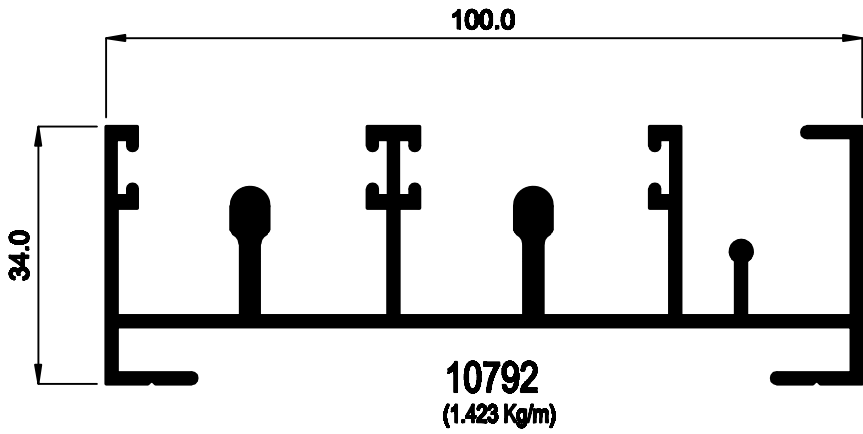
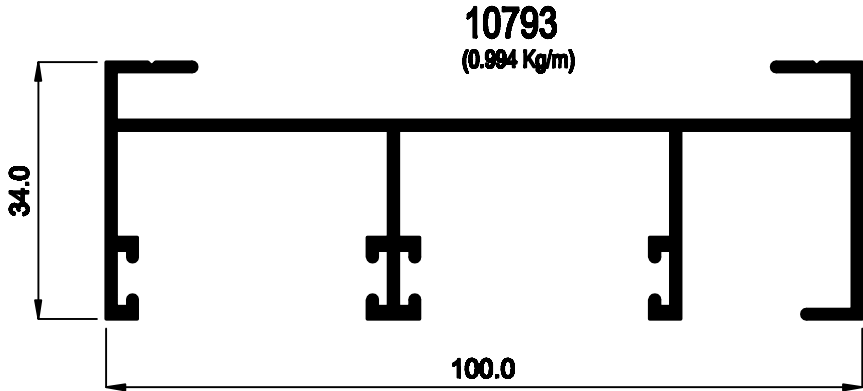


20039
(0.548 Kg/m)

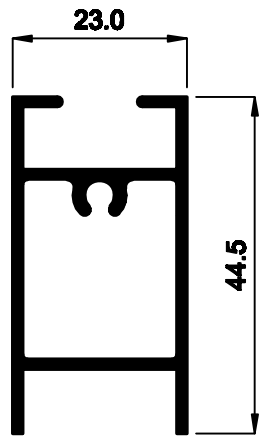


20040
(0.503 Kg/m)

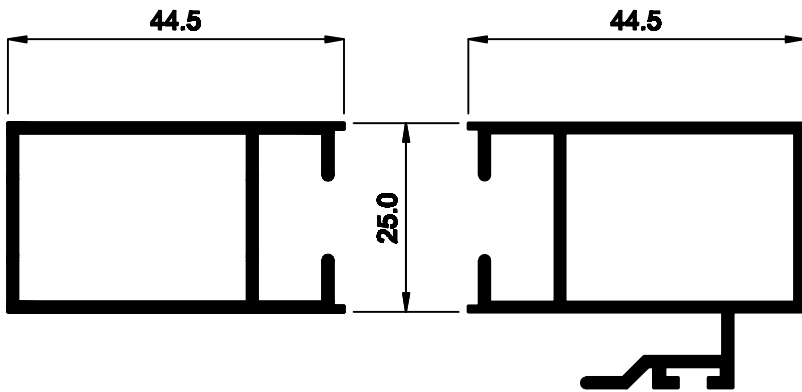
SLIDING - 100 mm



20044
(0.381 Kg/m)

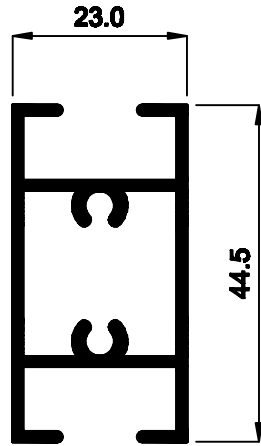


20043
(0.535 Kg/m)



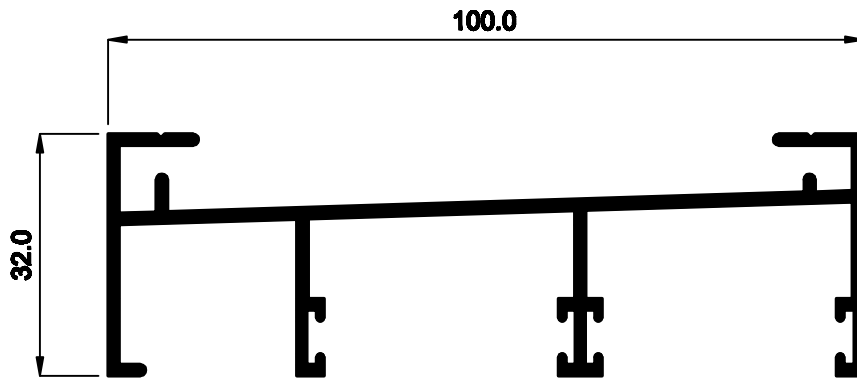
20041
(0.510 Kg/m)

20042
(0.637 Kg/m)

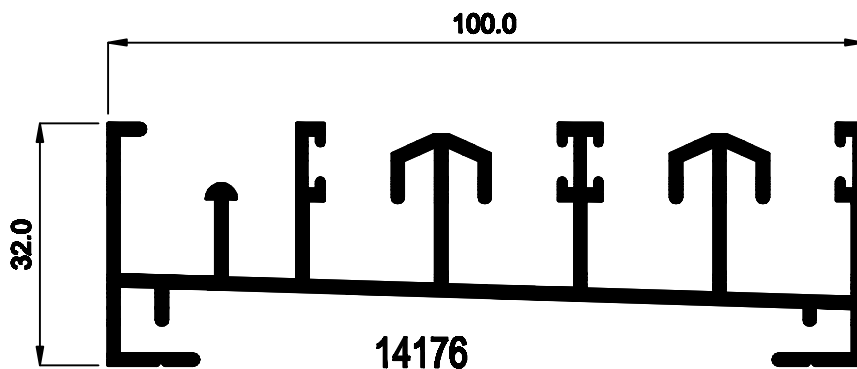


20636
(0.613 Kg/m)

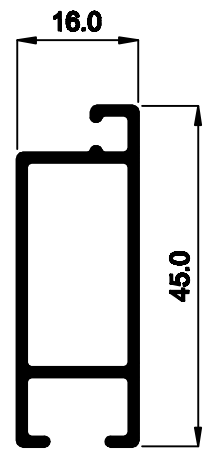
SLIDING - 100 mm



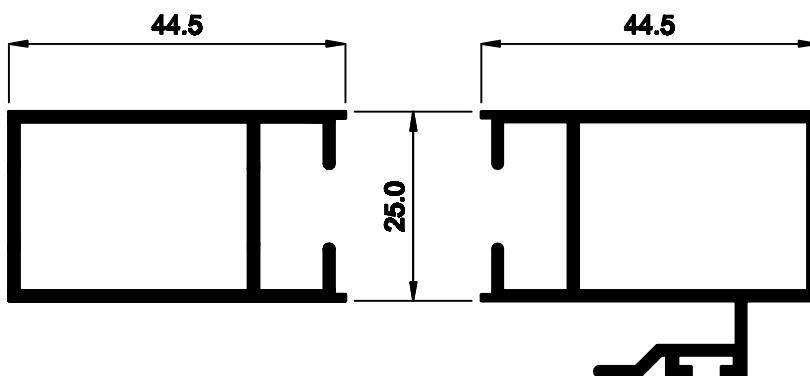
14175
(1.037 Kg/m)



14176
(1.444 Kg/m)

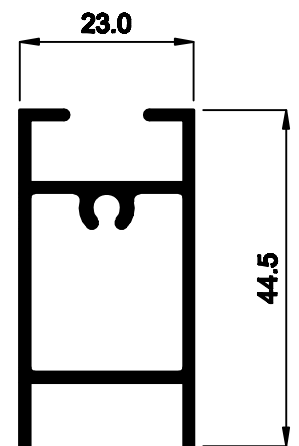


21108
(0.400 Kg/m)



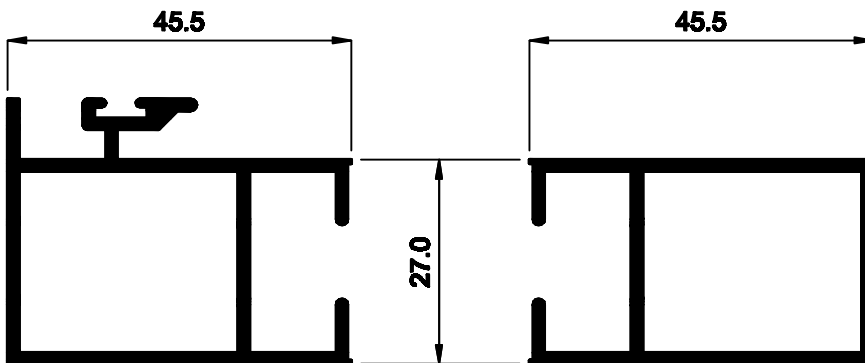
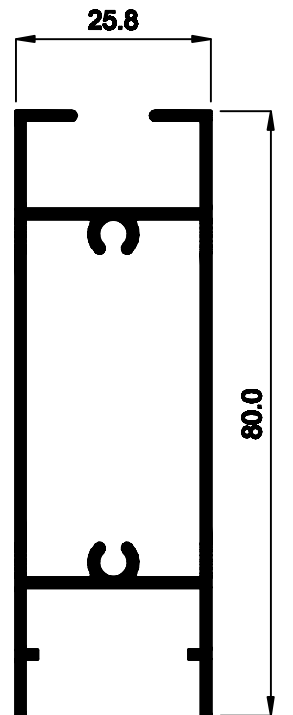
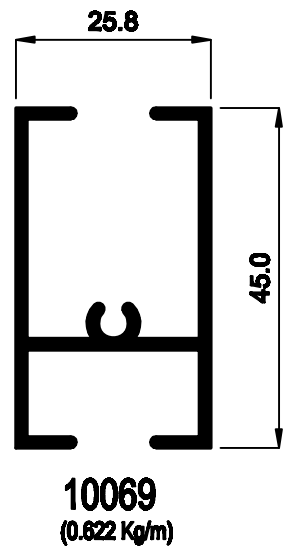
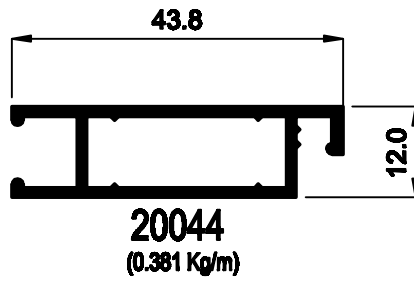
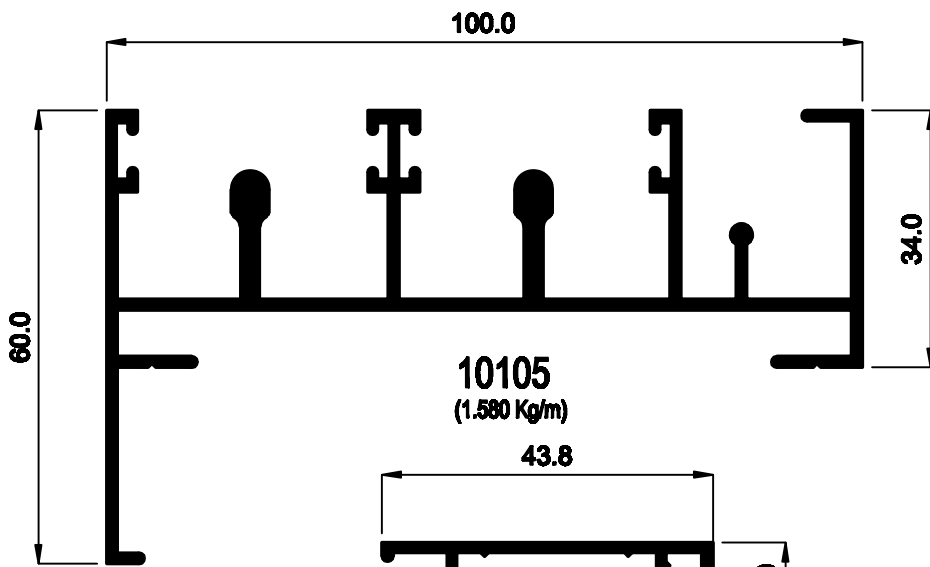
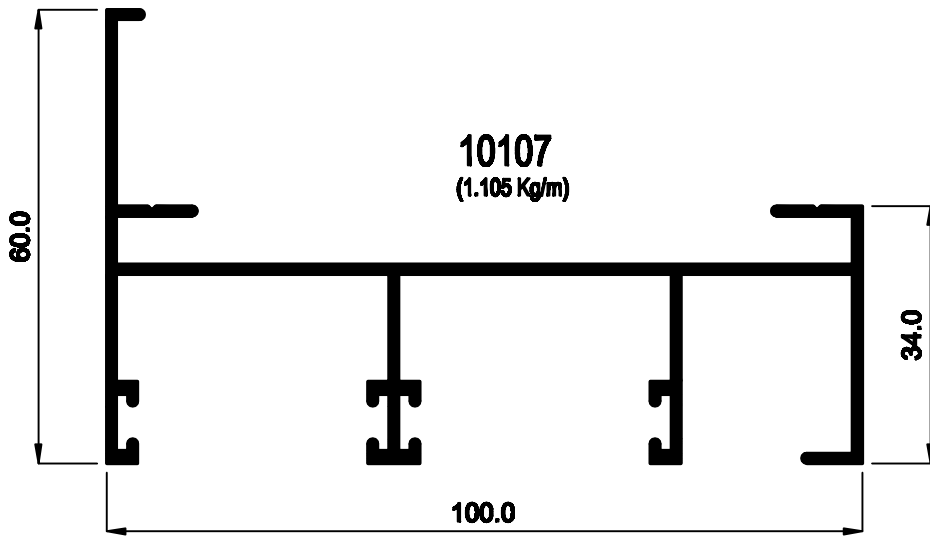
20041
(0.510 Kg/m)

20042
(0.637 Kg/m)

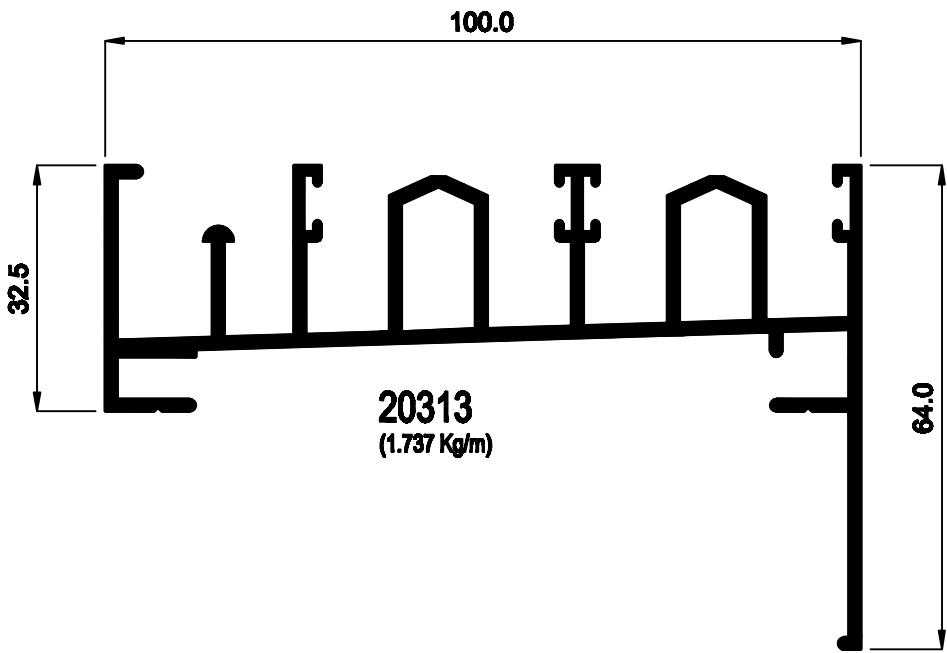
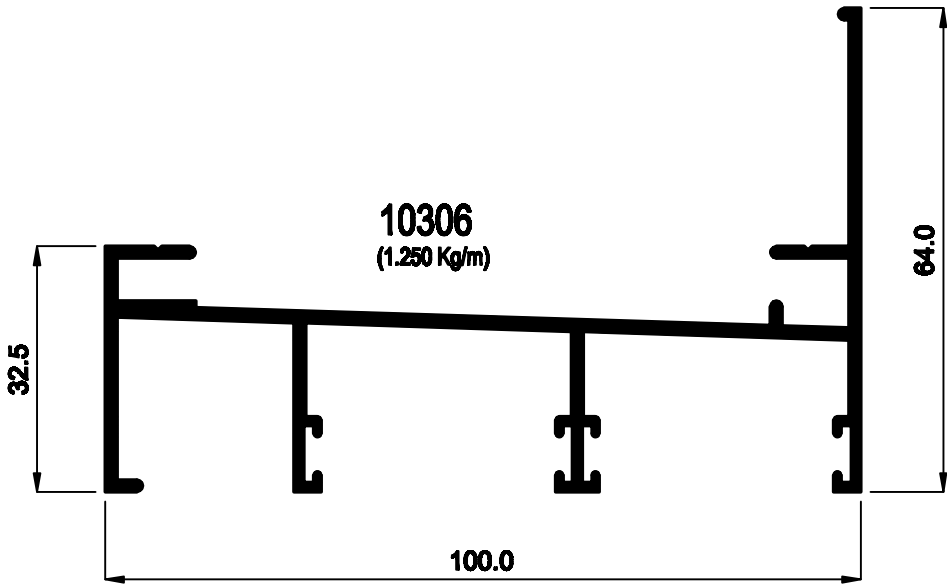


20043
(0.535 Kg/m)

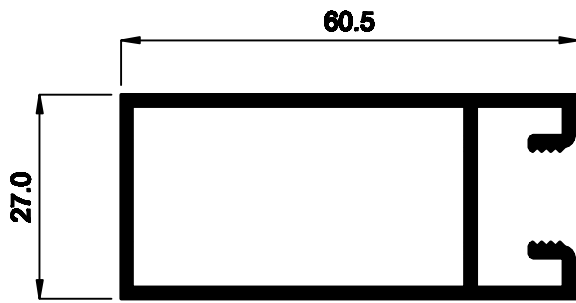
SLIDING - 100 mm



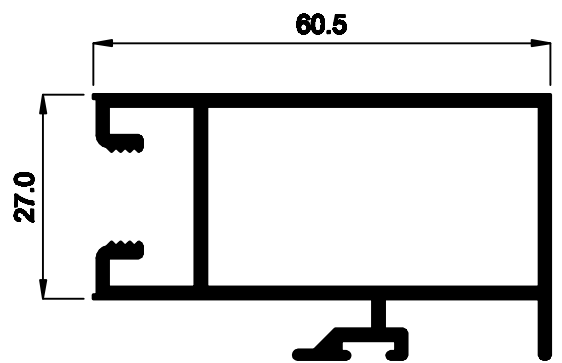
SLIDING - 100 mm



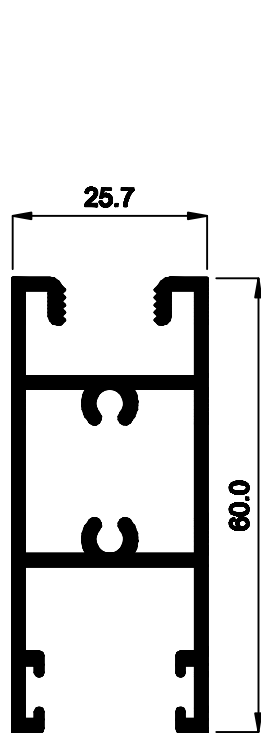
SLIDING - 100 mm



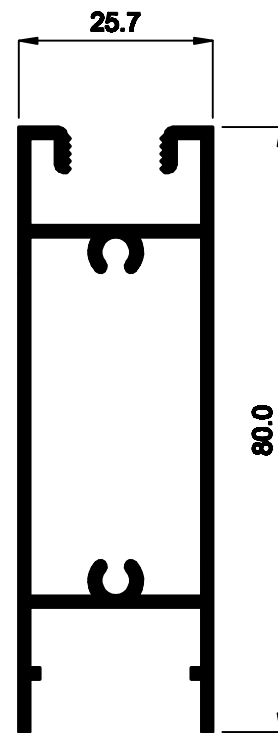
20314
(0.768 Kg/m)



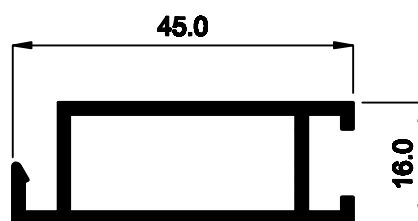
20316
(0.912 Kg/m)



20315
(0.930 Kg/m)

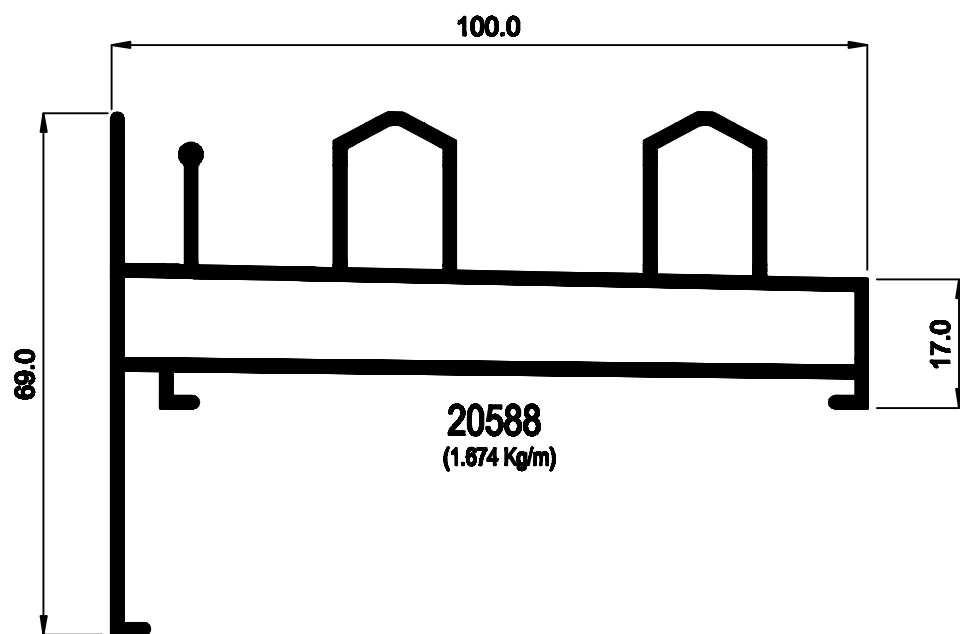
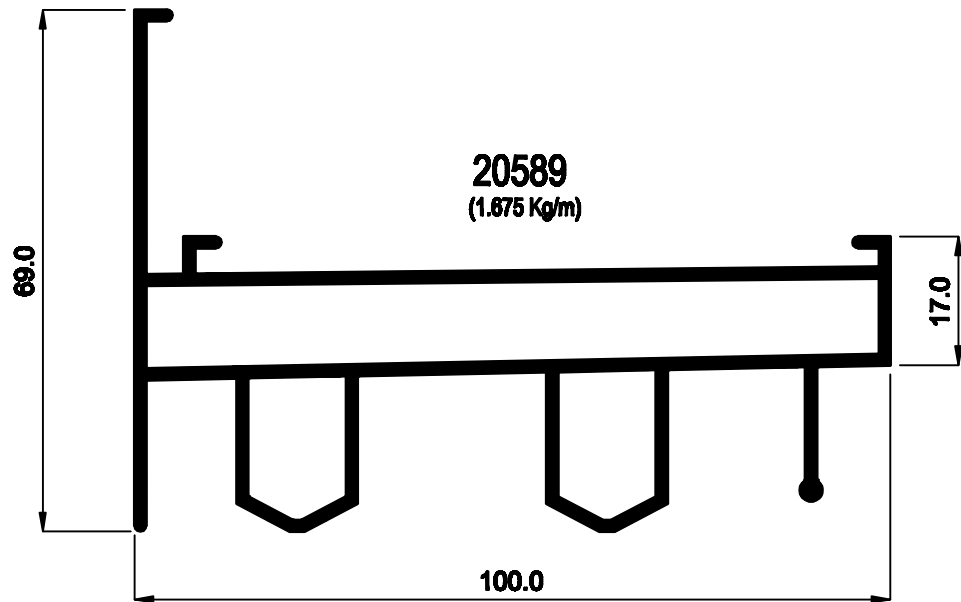


20296
(1.040 Kg/m)

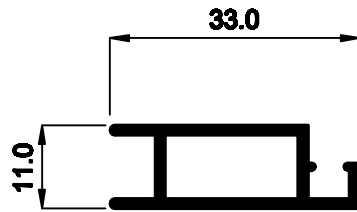


20076
(0.497 Kg/m)

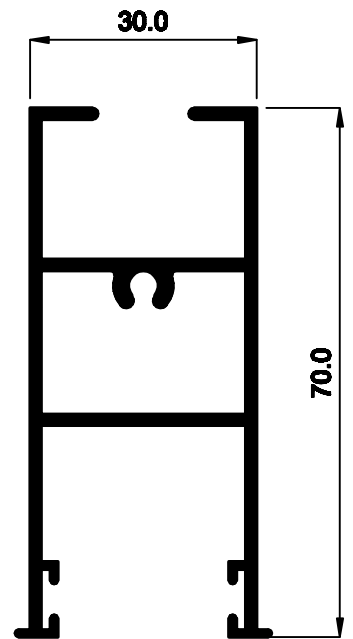
SLIDING - 100 mm



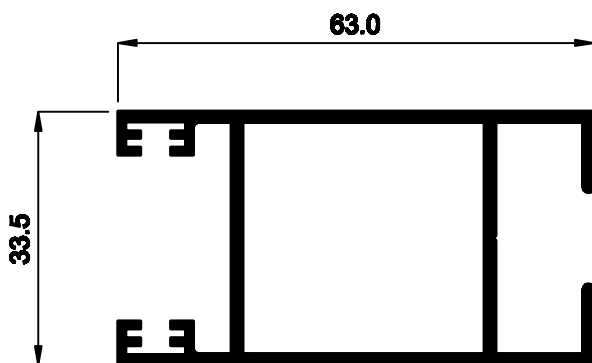
SLIDING - 100 mm



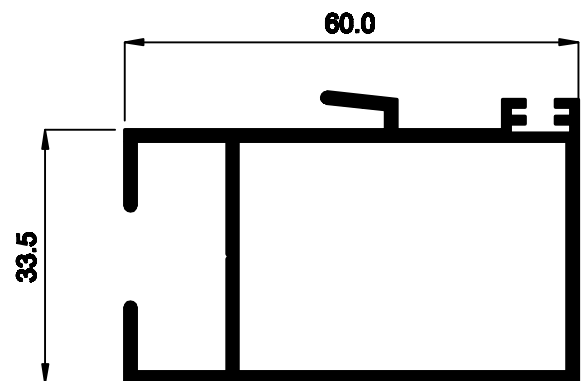
20529
(0.285 Kg/m)



20590
(0.956 Kg/m)

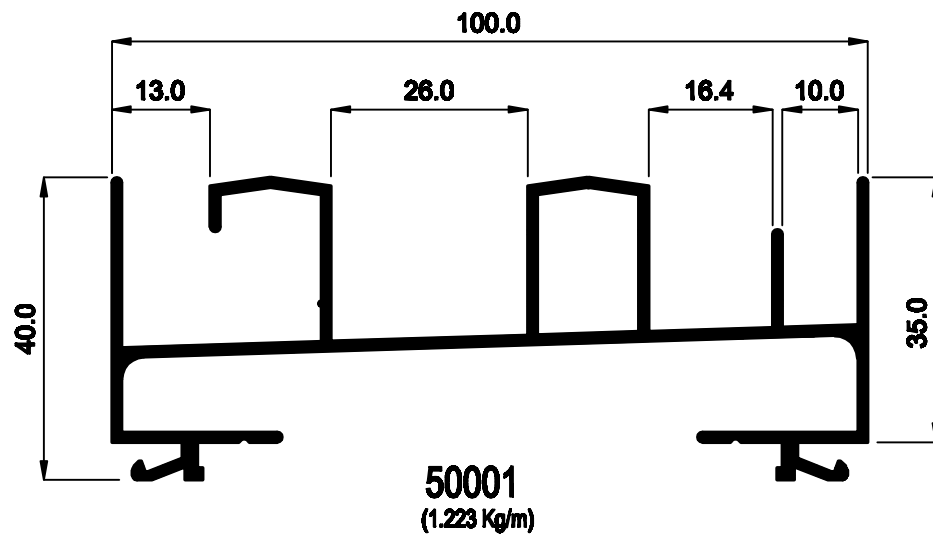
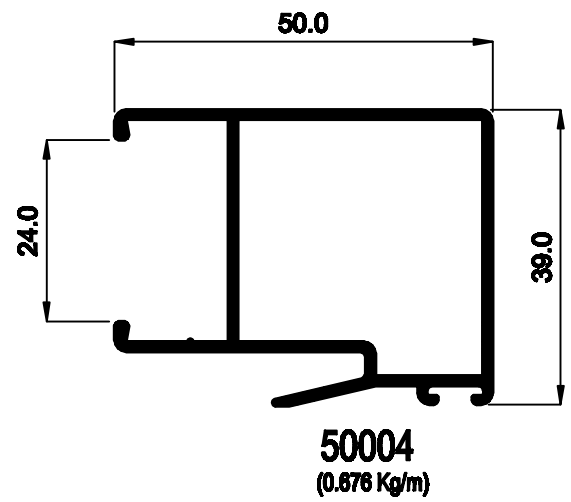
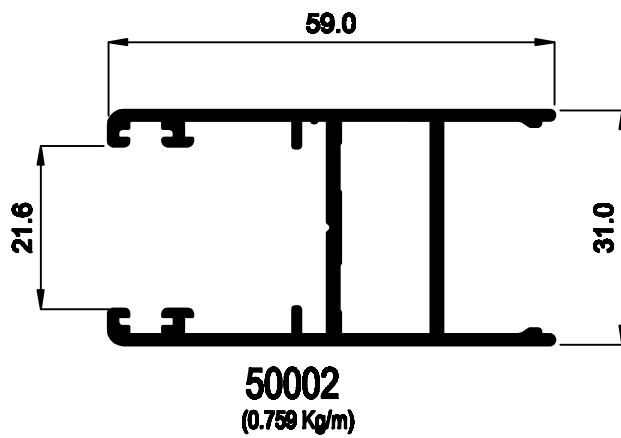
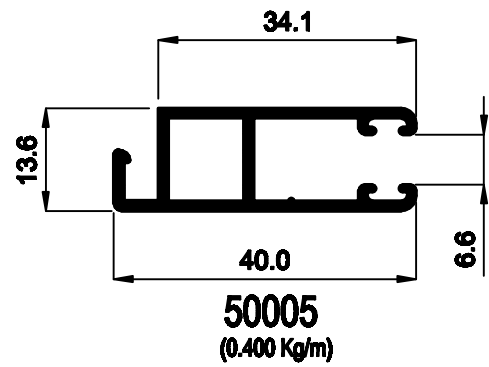
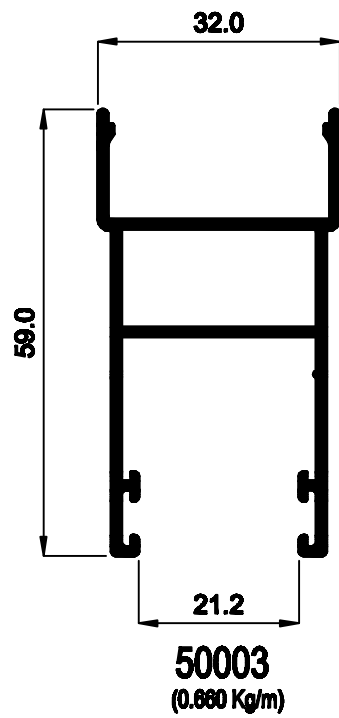


20591
(0.918 Kg/m)

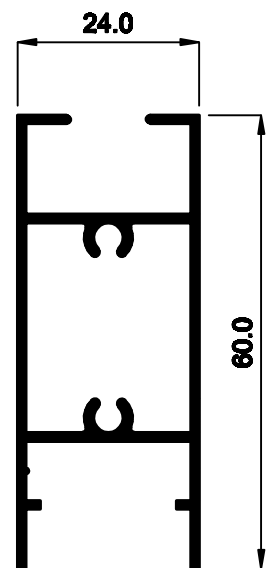
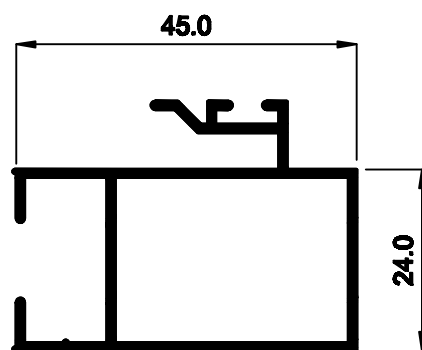
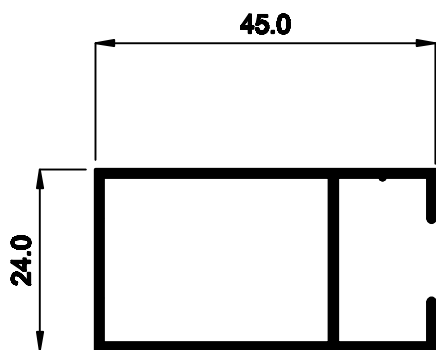
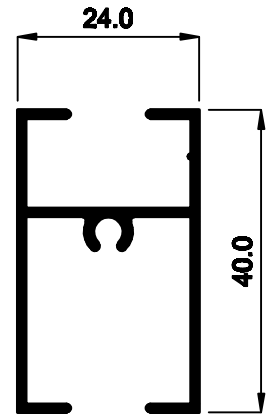
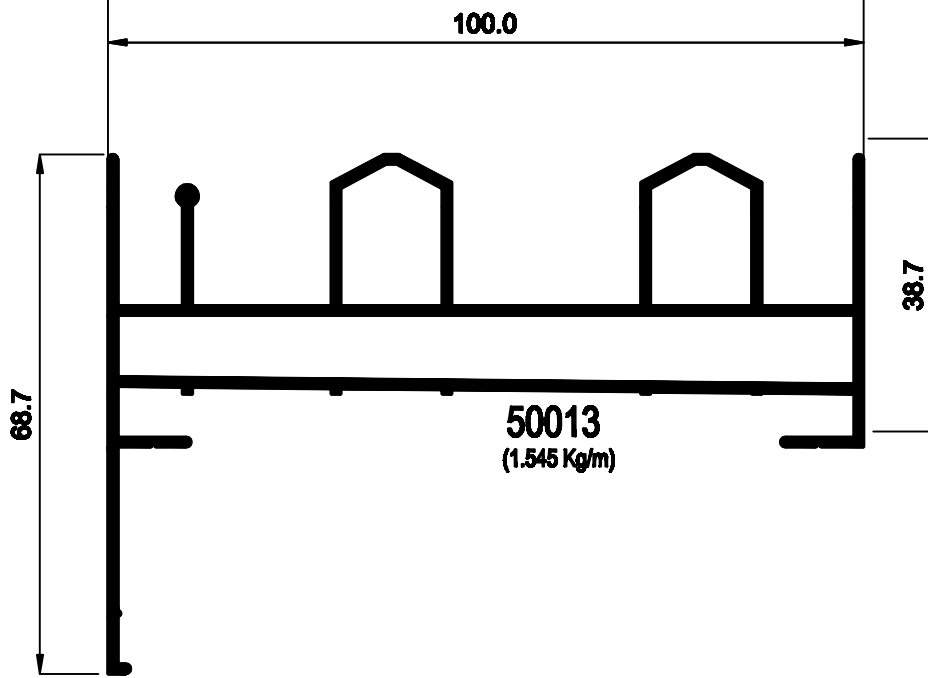
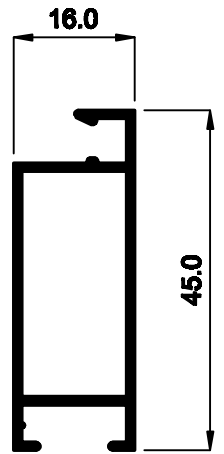
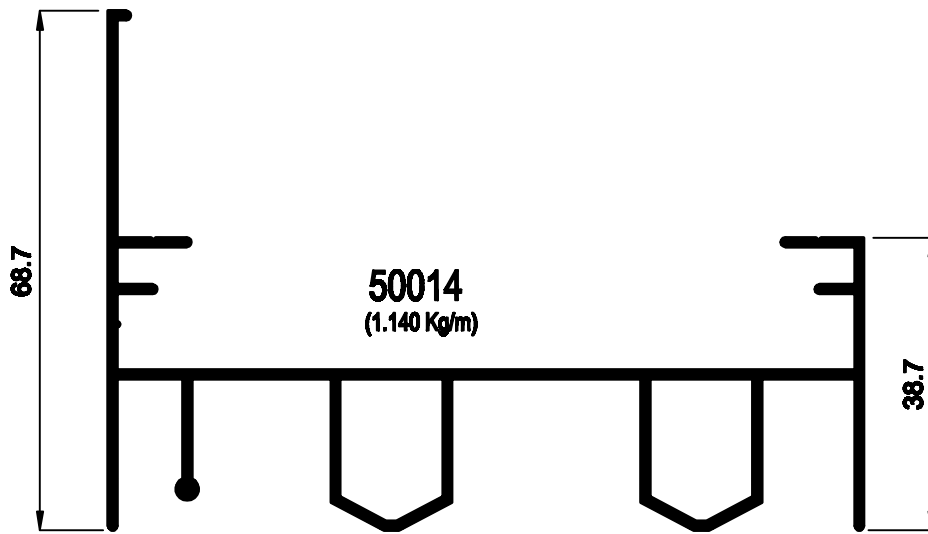


20592
(0.892 Kg/m)

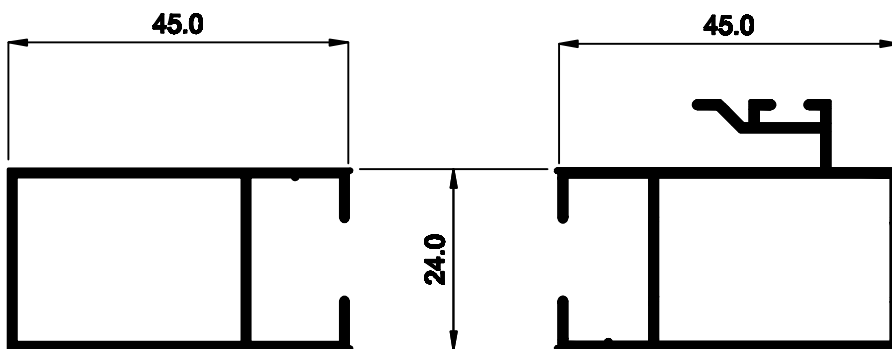
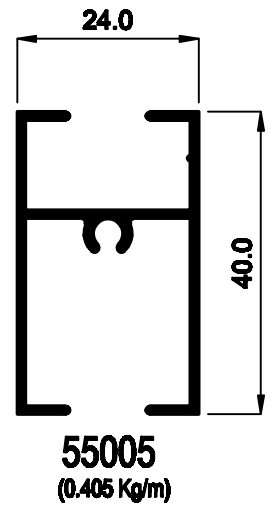
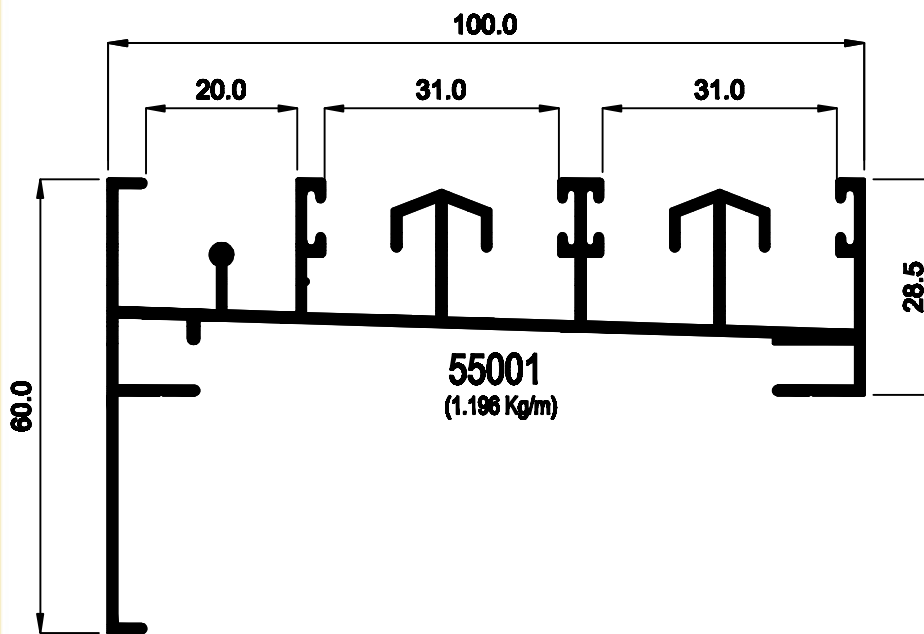
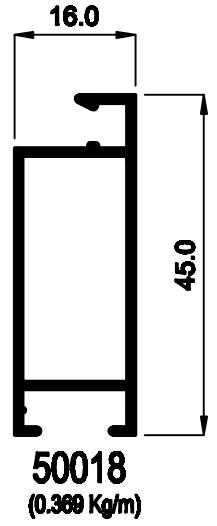
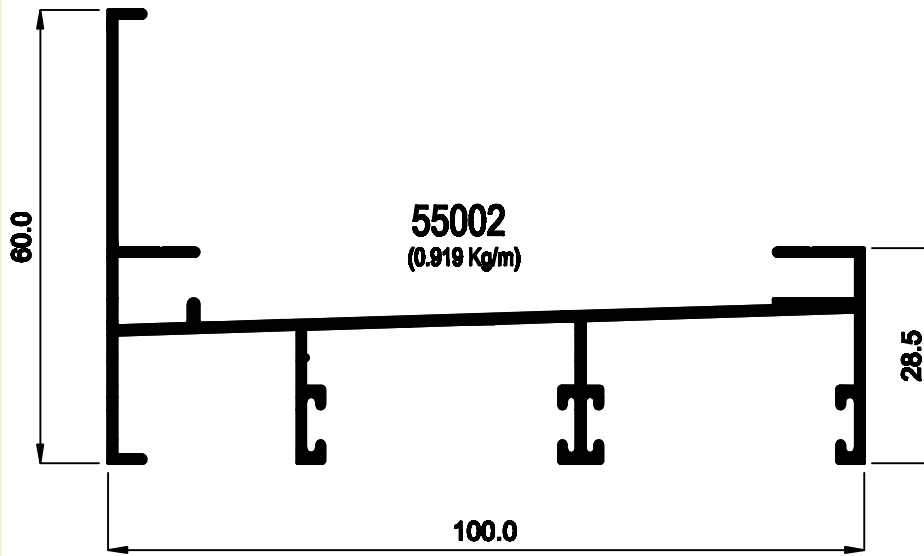
SLIDING - 100 mm



SLIDING - 100 mm

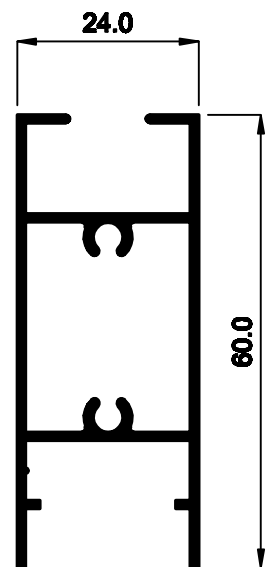


SLIDING - 100 mm



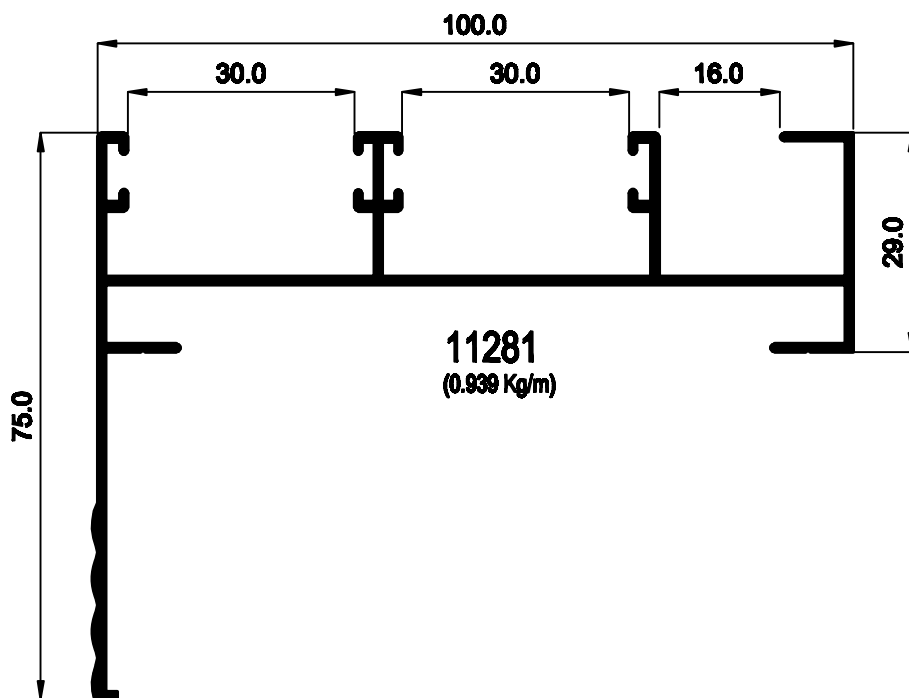
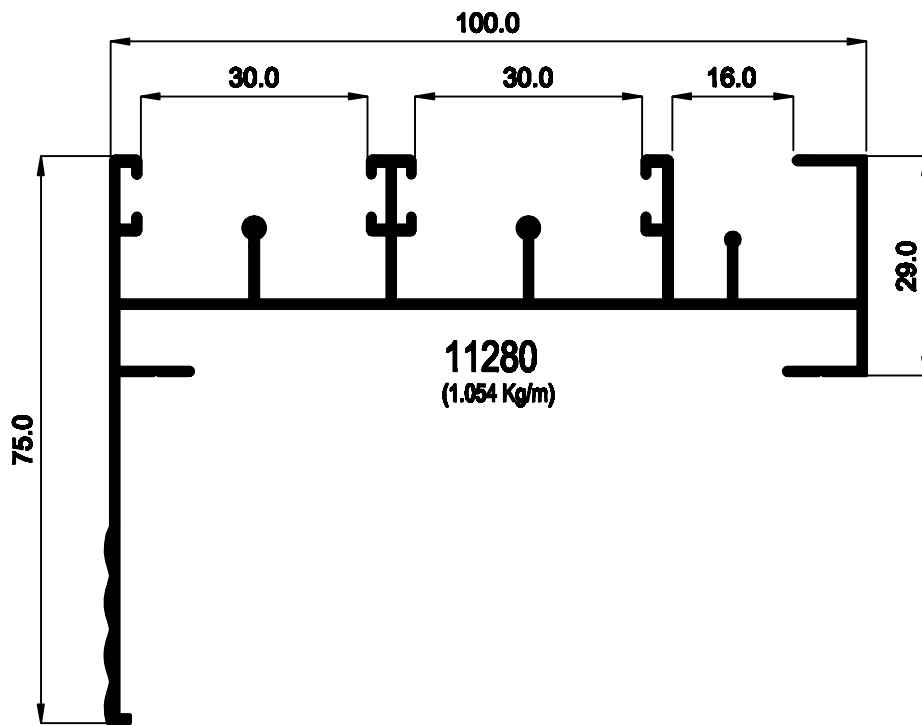
50016
(0.414 Kg/m)

50017
(0.512 Kg/m)

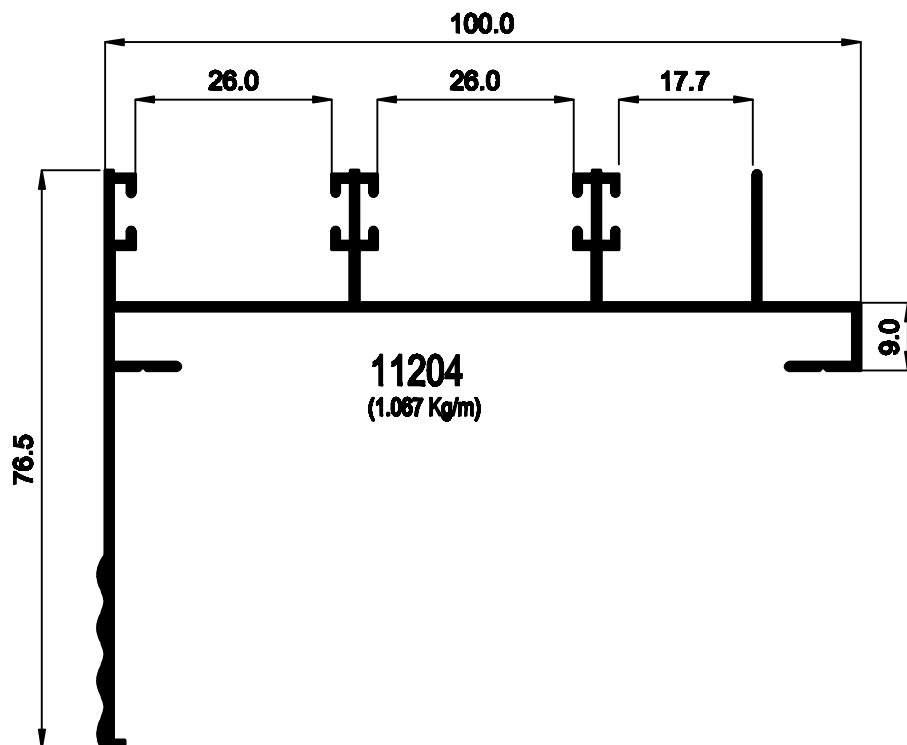
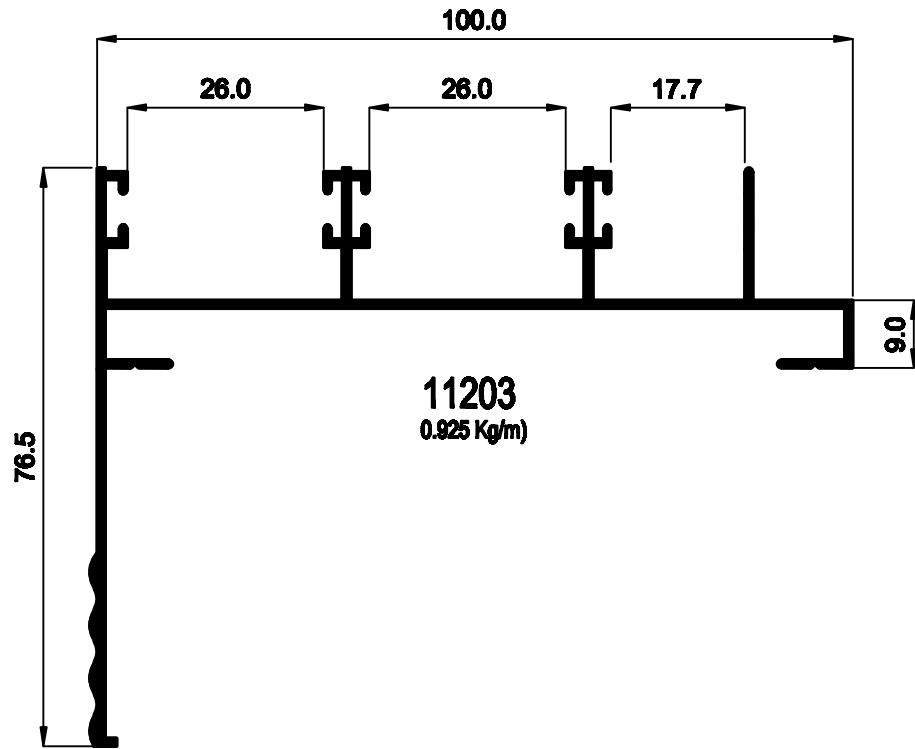


50015
(0.598 Kg/m)

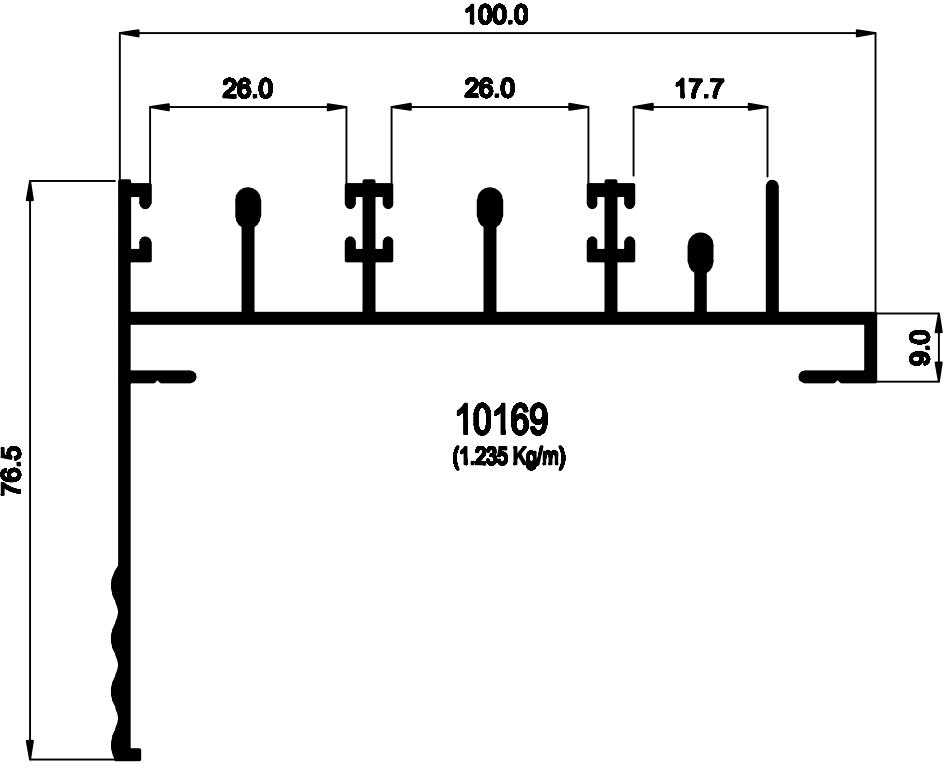
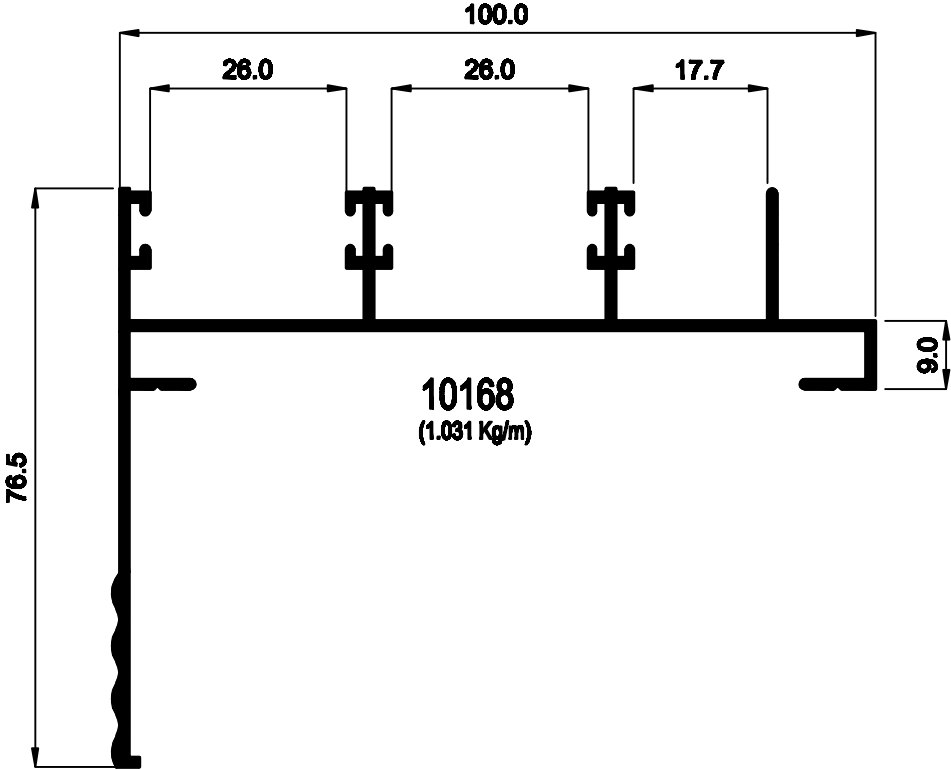
SLIDING - 100 mm



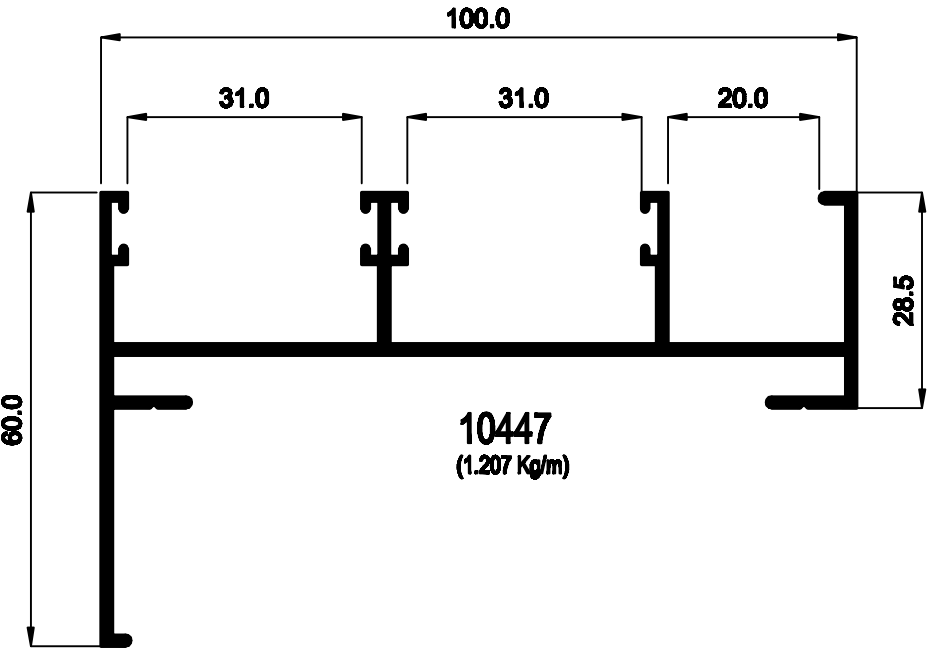
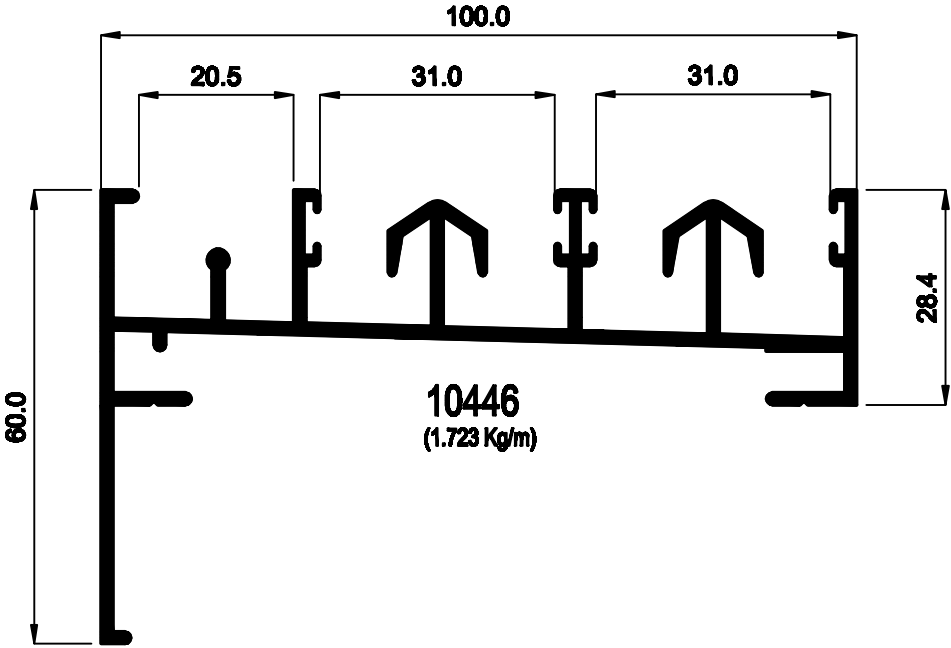
SLIDING - 100 mm



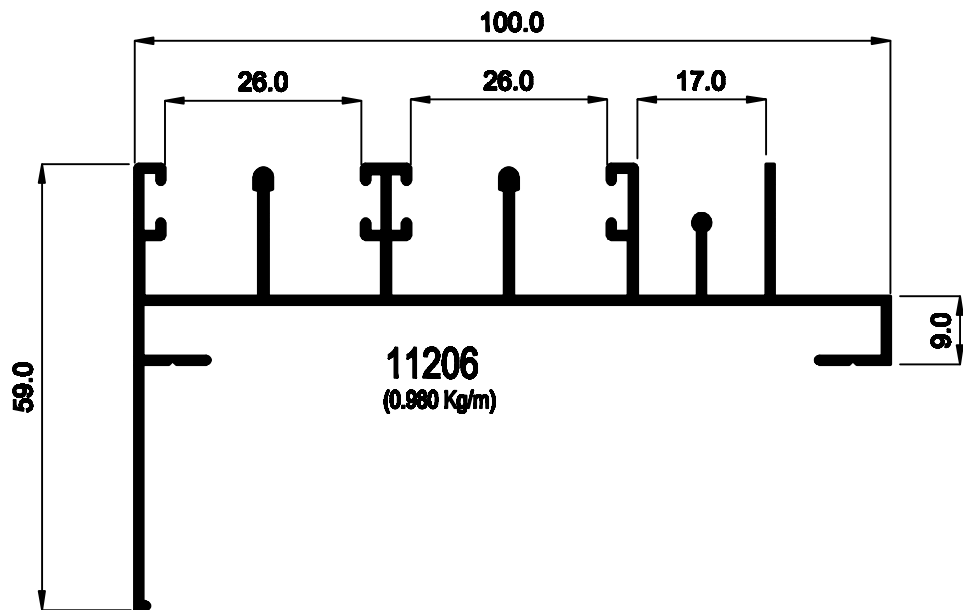
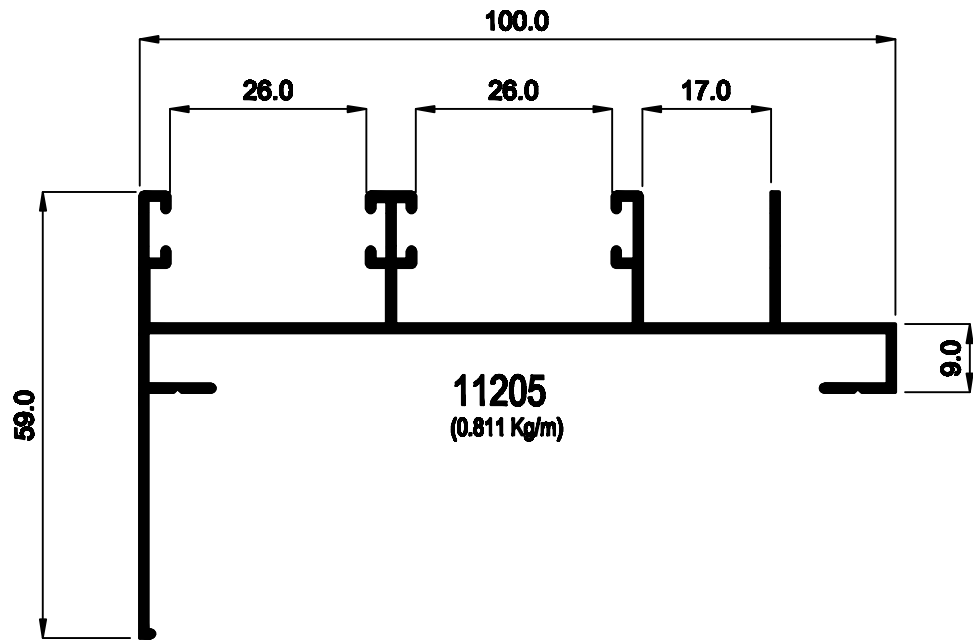
SLIDING - 100 mm



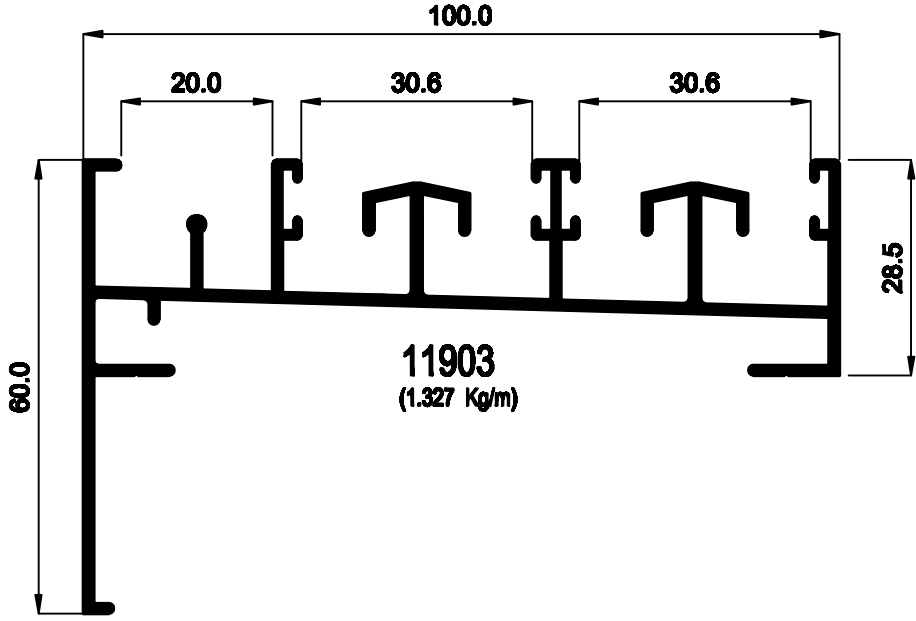
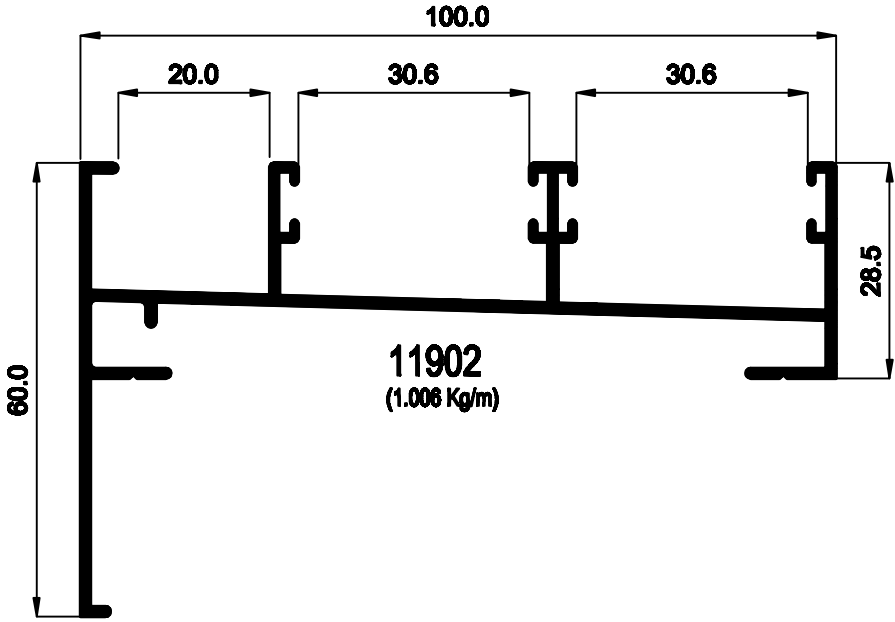
SLIDING - 100 mm



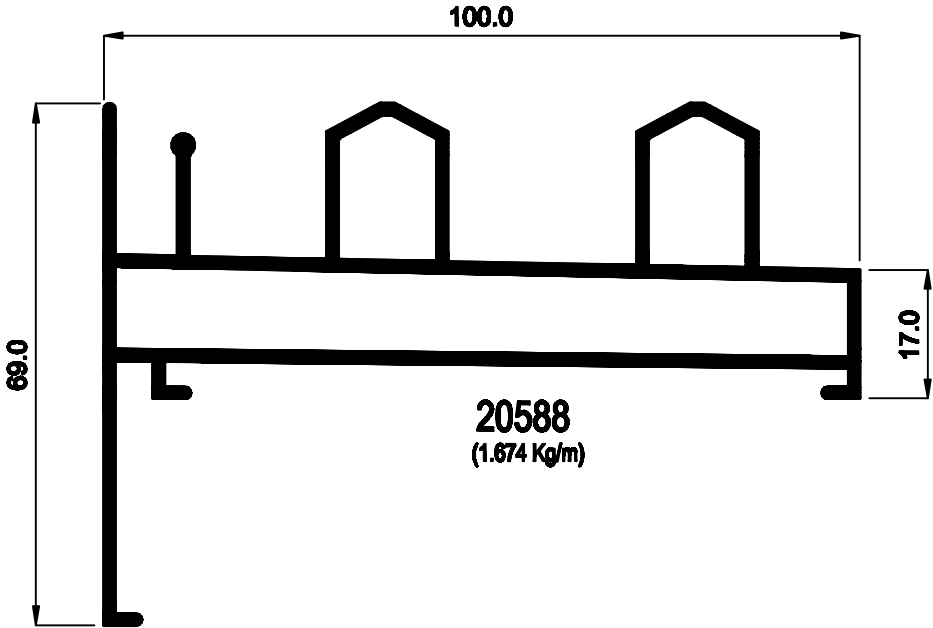
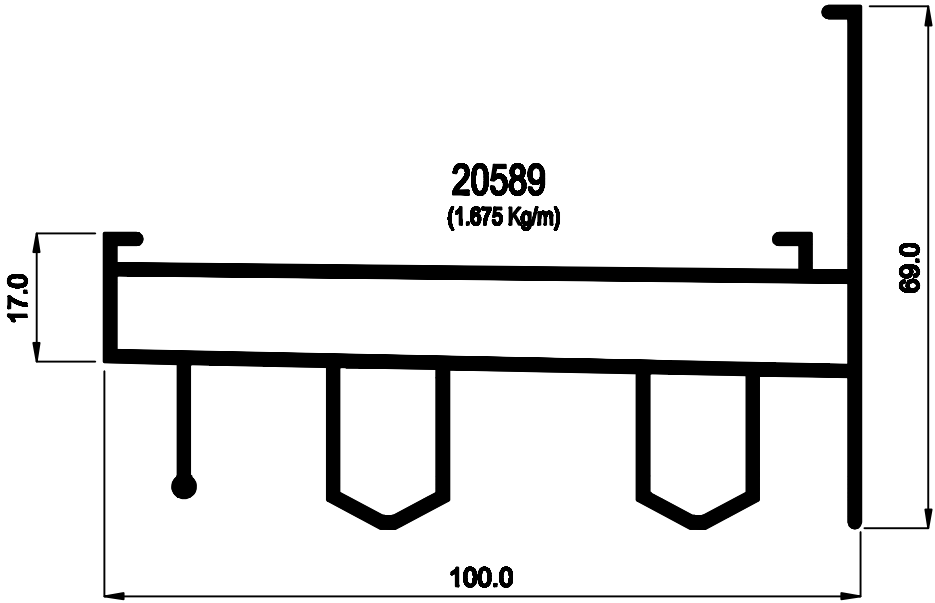
SLIDING - 100 mm



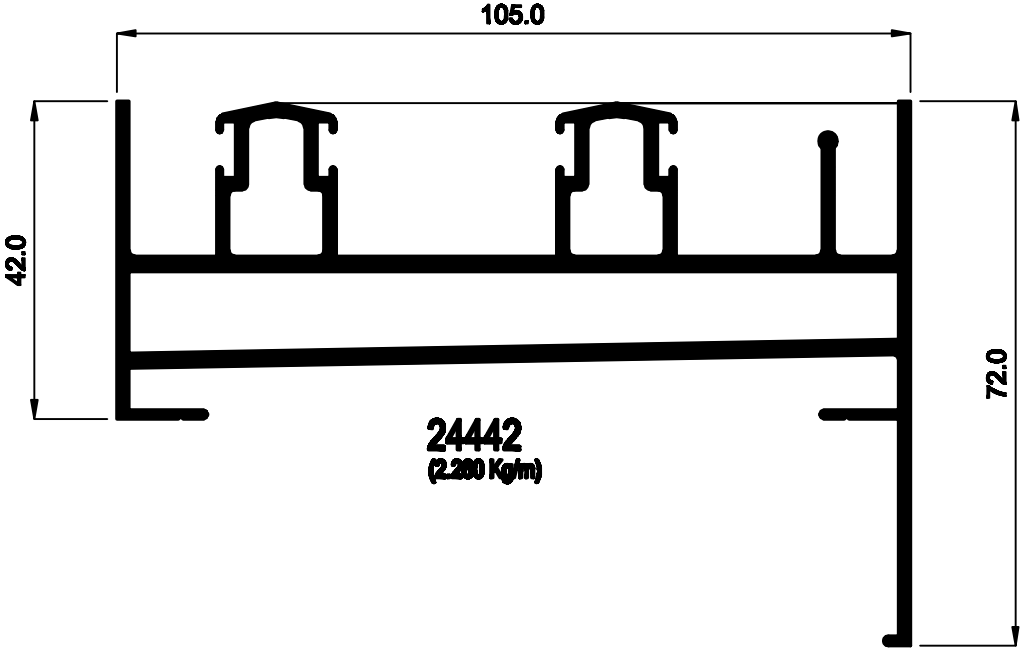
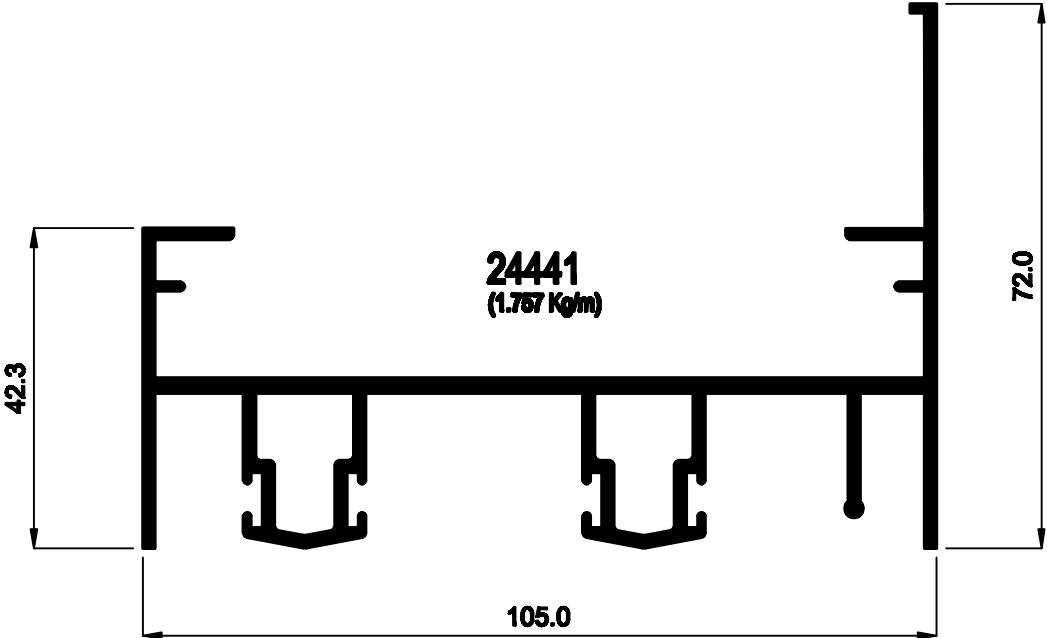
SLIDING - 100 mm



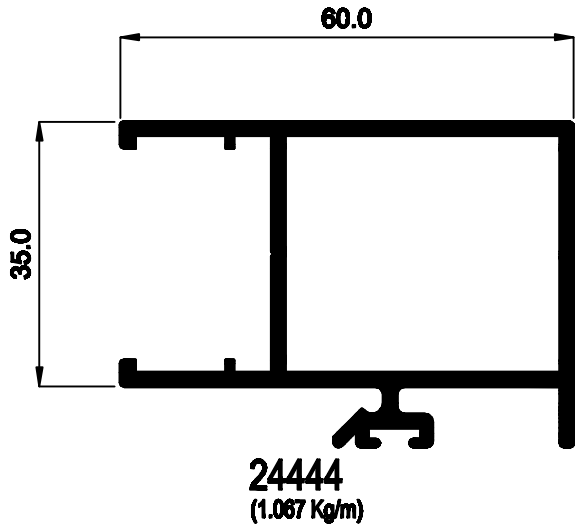
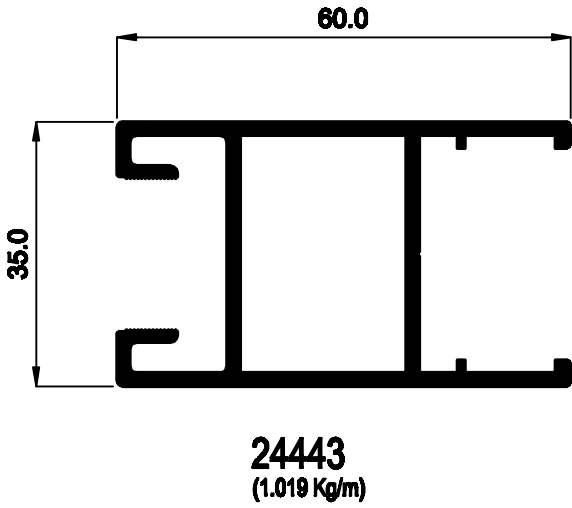
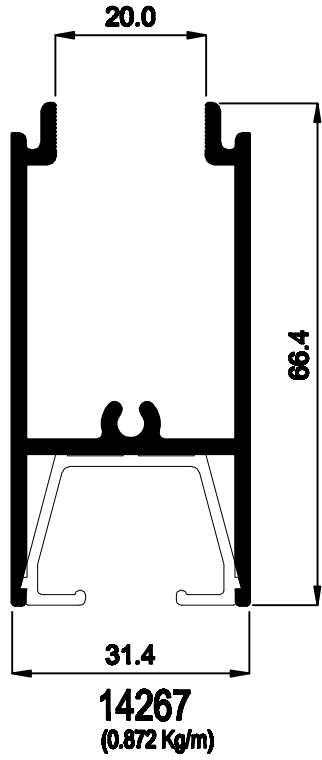
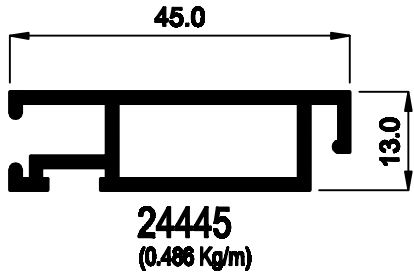
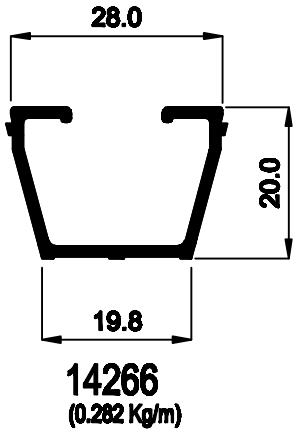
SLIDING - 100 mm



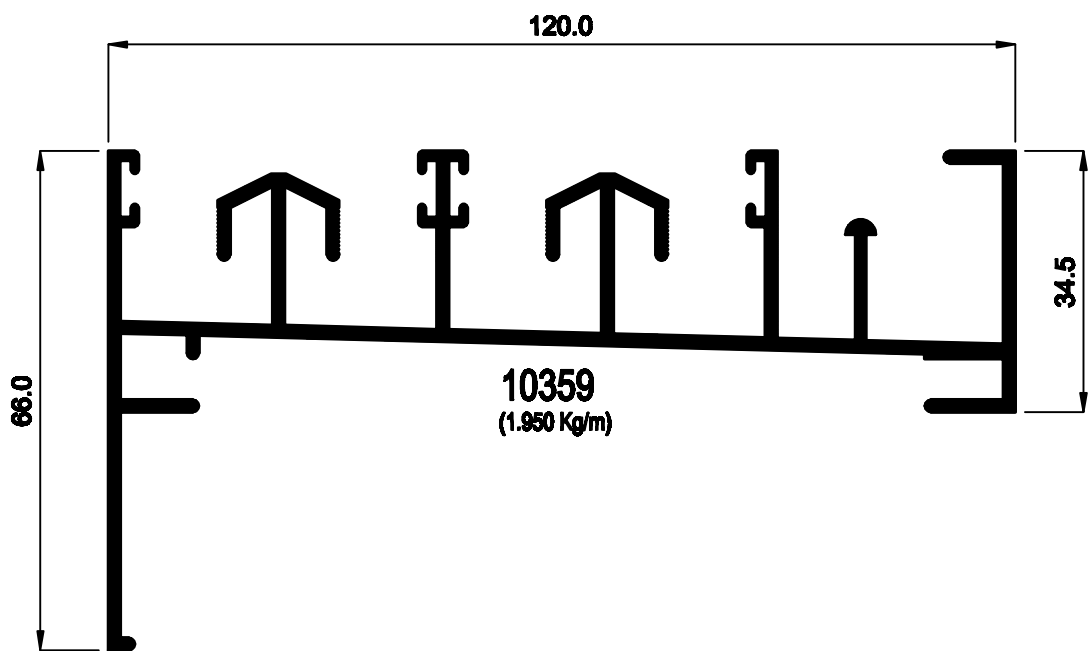
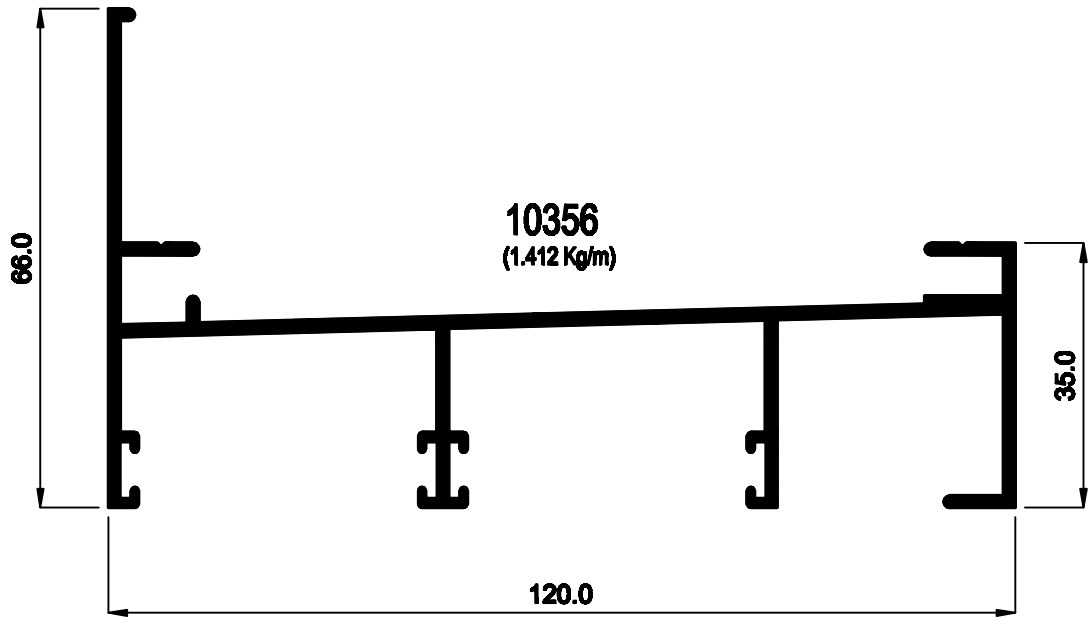
SLIDING - 105 mm



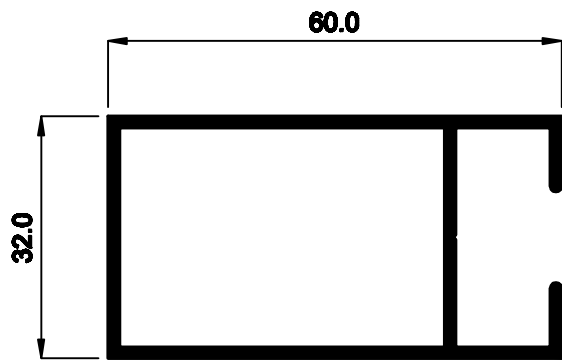
SLIDING - 105 mm



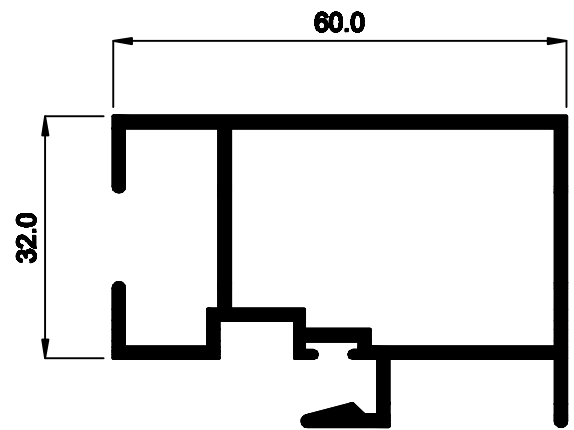
SLIDING - 120 mm



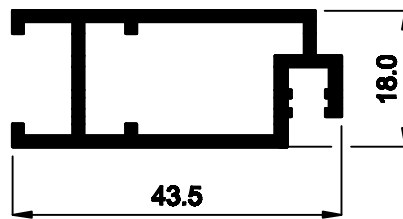
SLIDING - 120 mm



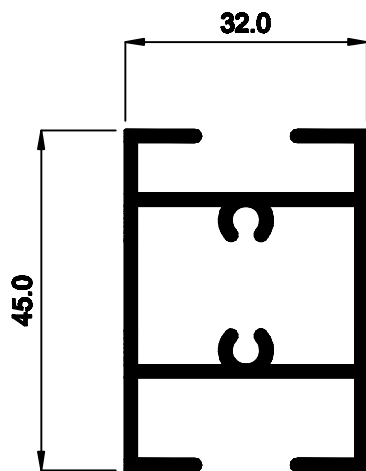
20378
(1.090 Kg/m)



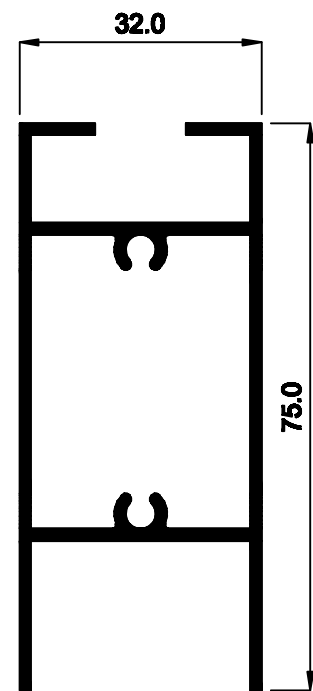
20376
(0.990 Kg/m)



20379
(0.495 Kg/m)

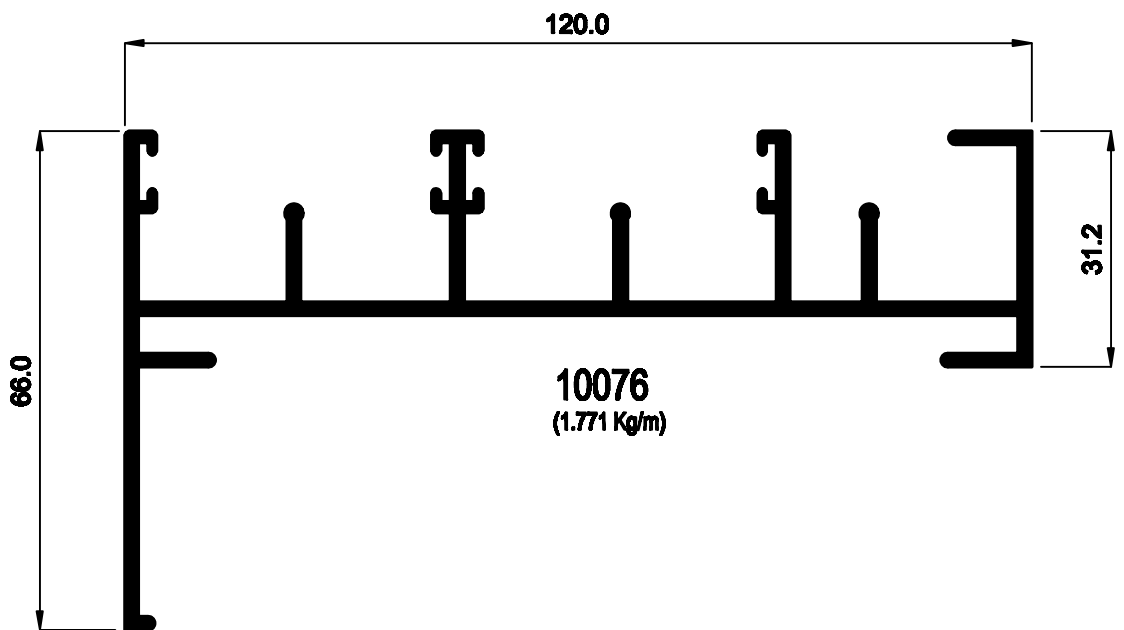
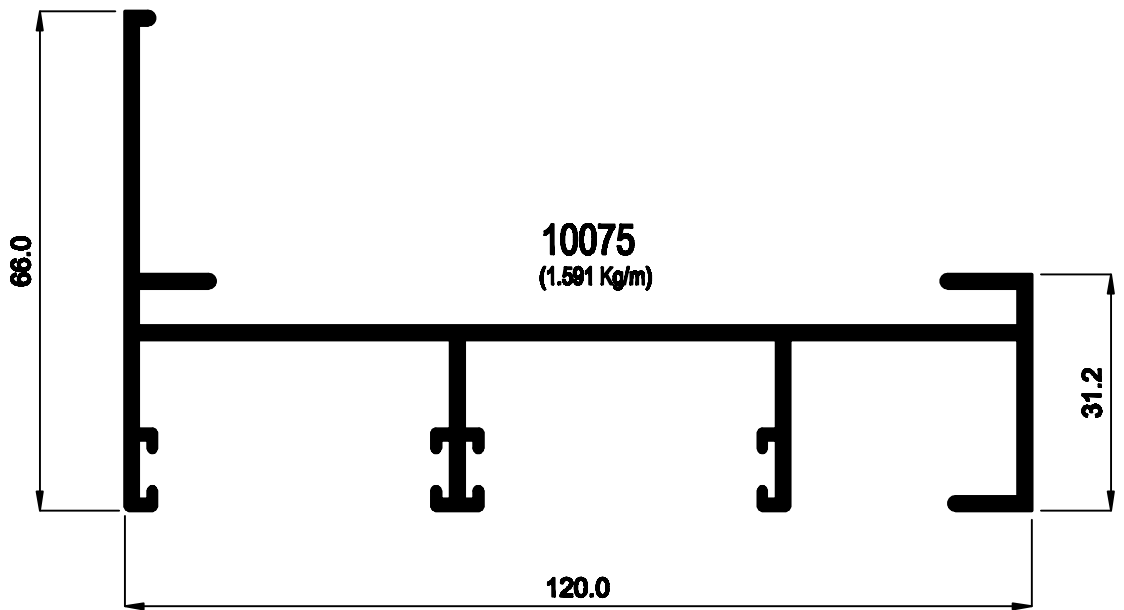


20377
(0.850 Kg/m)

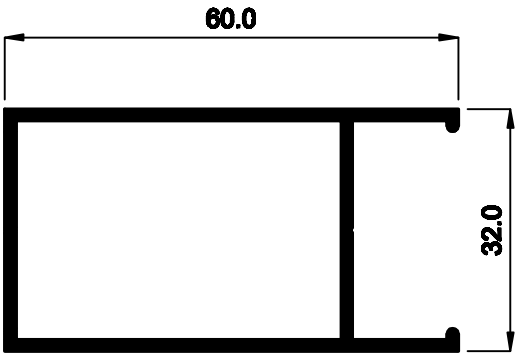


20465
(1.098 Kg/m)

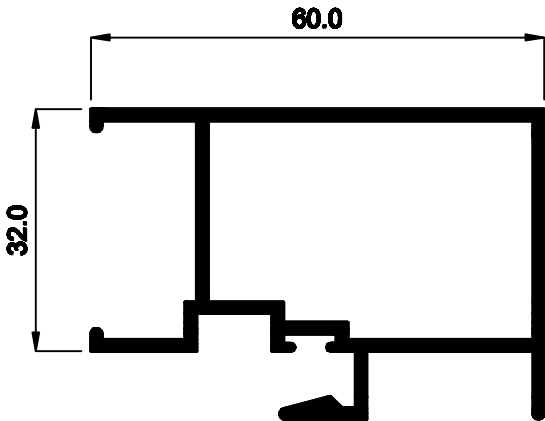
SLIDING - 120 mm



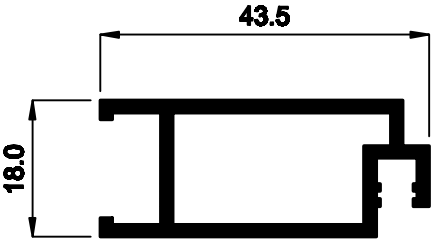
SLIDING - 120 mm



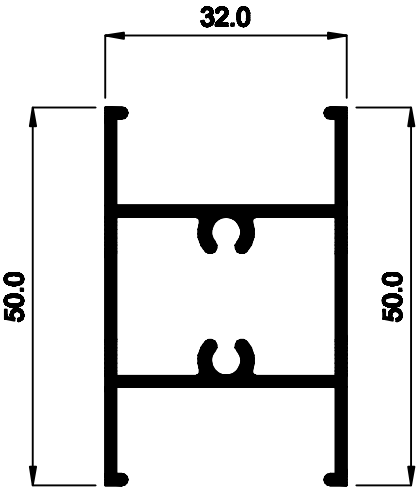
24628
(0.732 Kg/m)



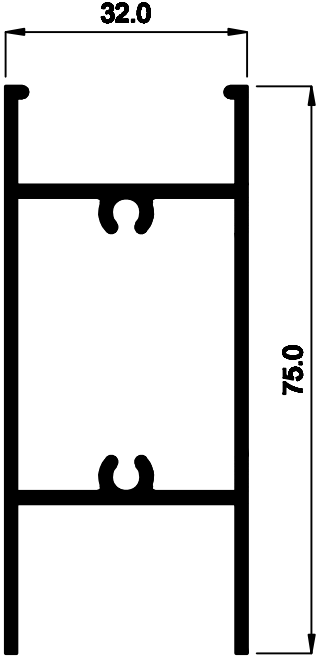
24629
(0.895 Kg/m)



20075
(0.526 Kg/m)

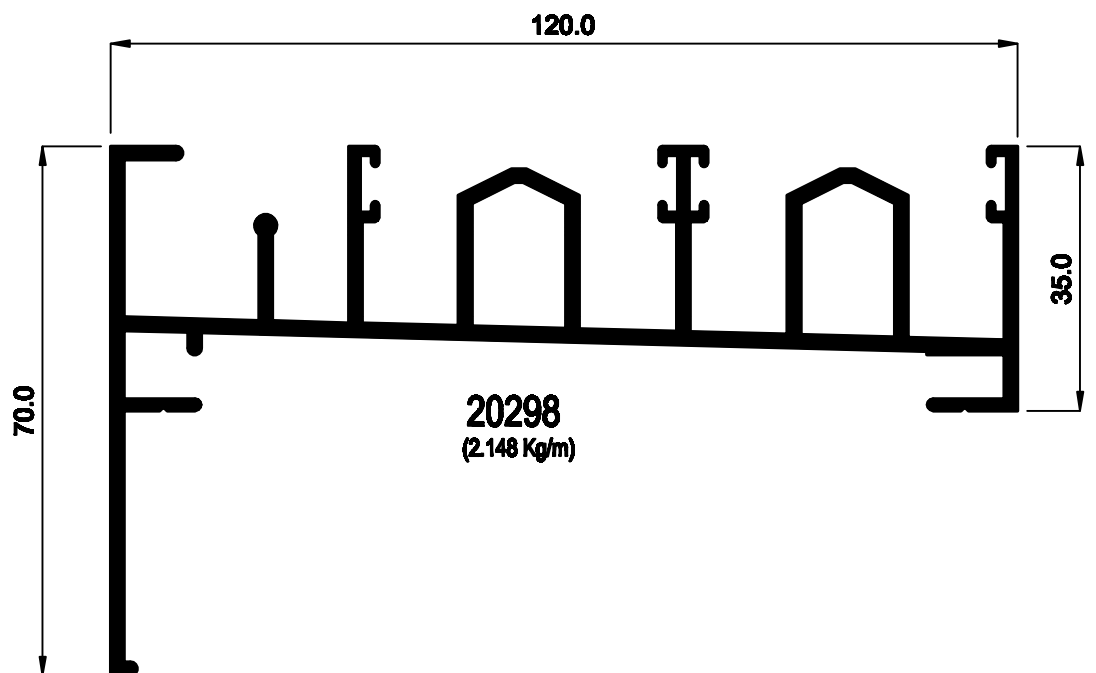
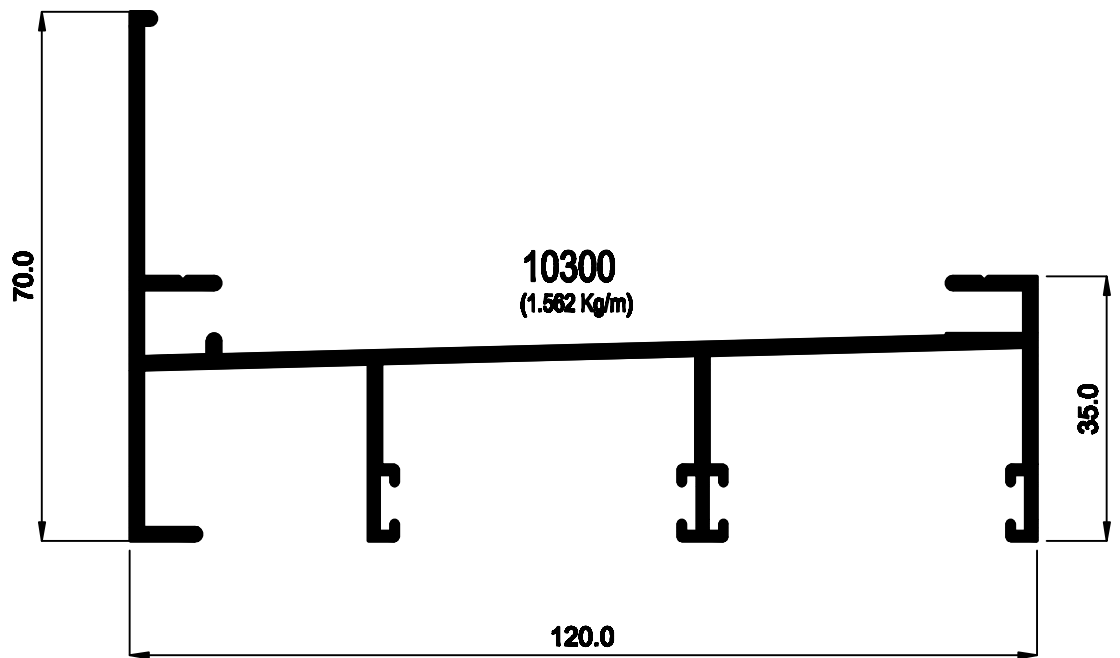


24627
(0.756 Kg/m)

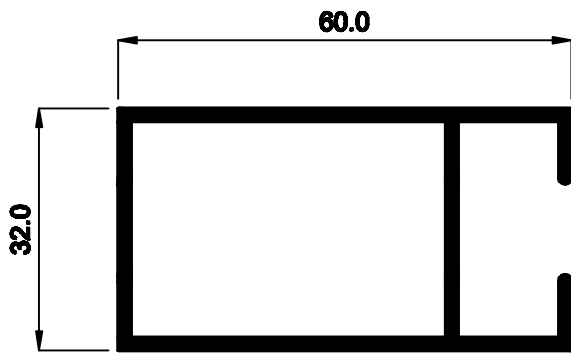


24630
(0.952 Kg/m)

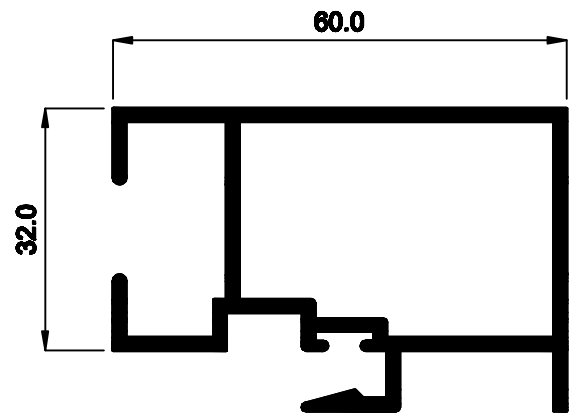
SLIDING - 120 mm



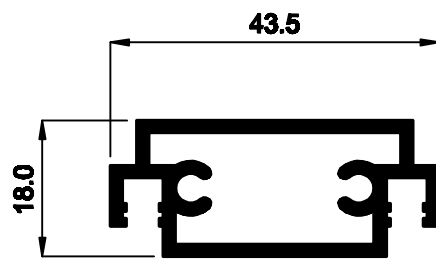
SLIDING - 120 mm



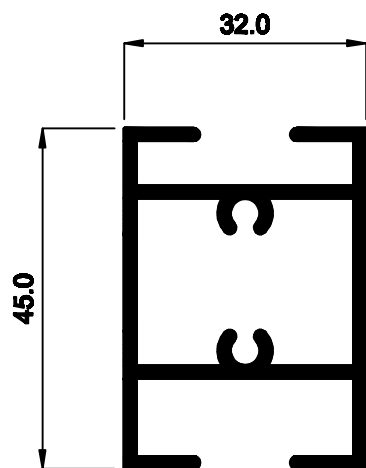
20071
(0.889 Kg/m)



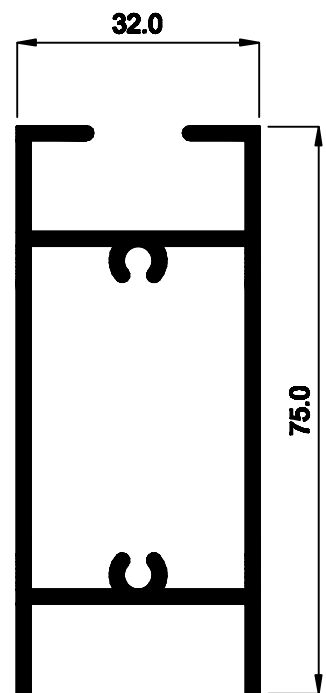
20070
(1.058 Kg/m)



20074
(0.601 Kg/m)

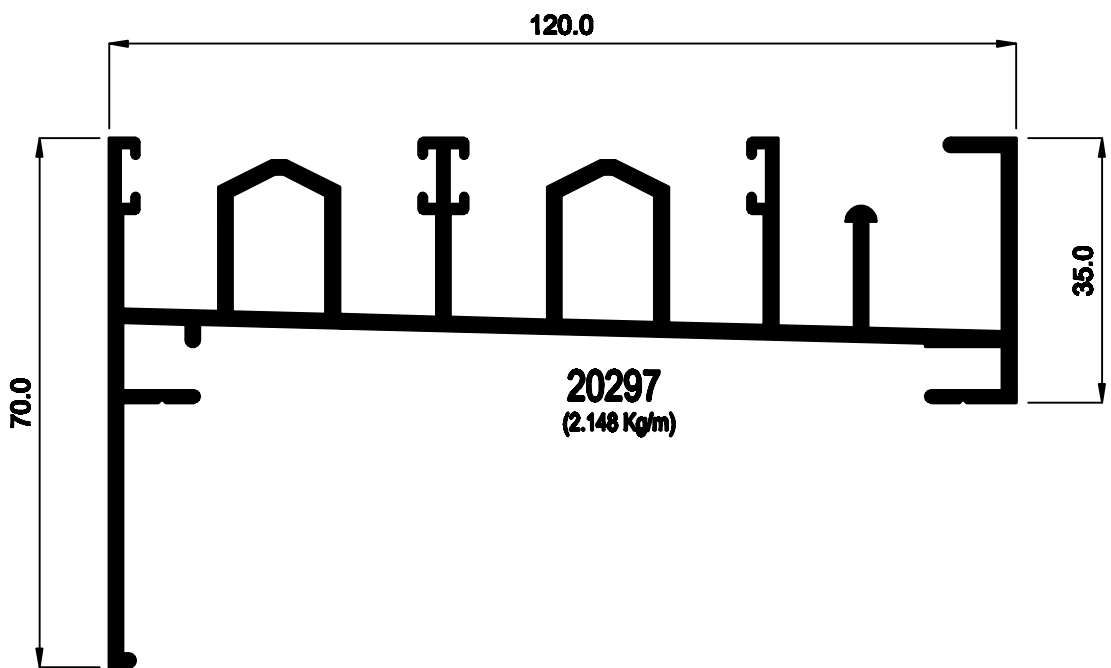
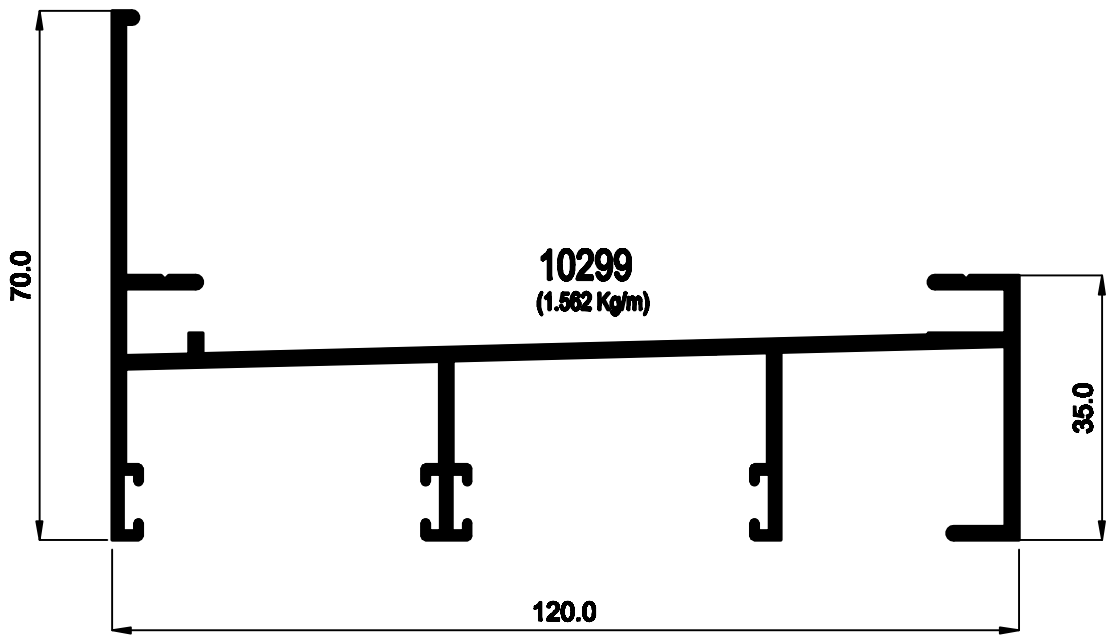


20072
(0.871 Kg/m)

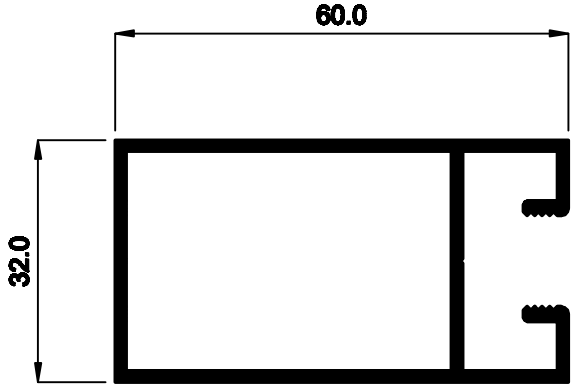


20073
(1.122 Kg/m)

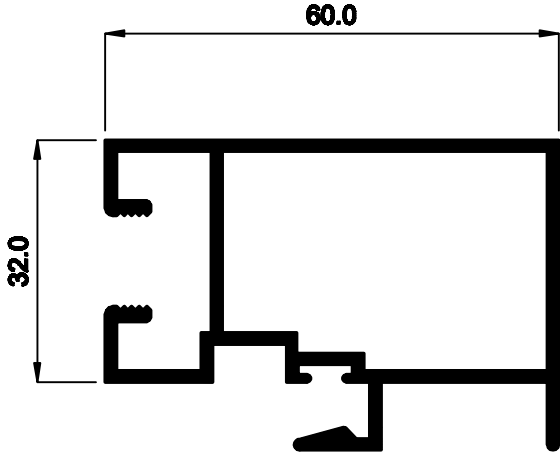
SLIDING - 120 mm



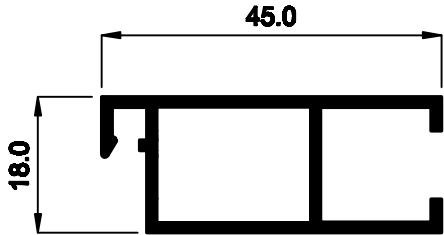
SLIDING - 120 mm



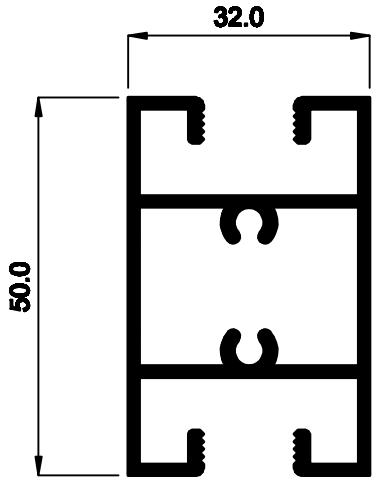
20301
(0.839 Kg/m)



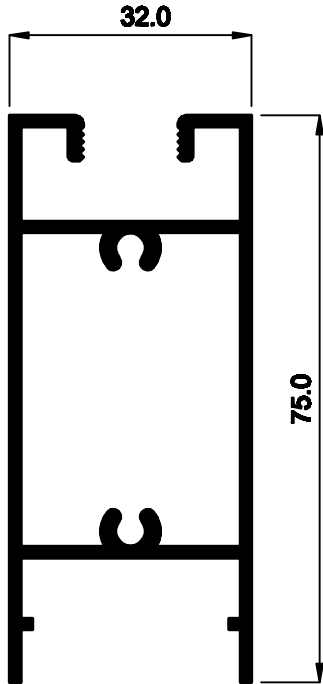
20299
(1.012 Kg/m)



20304
(0.475 Kg/m)

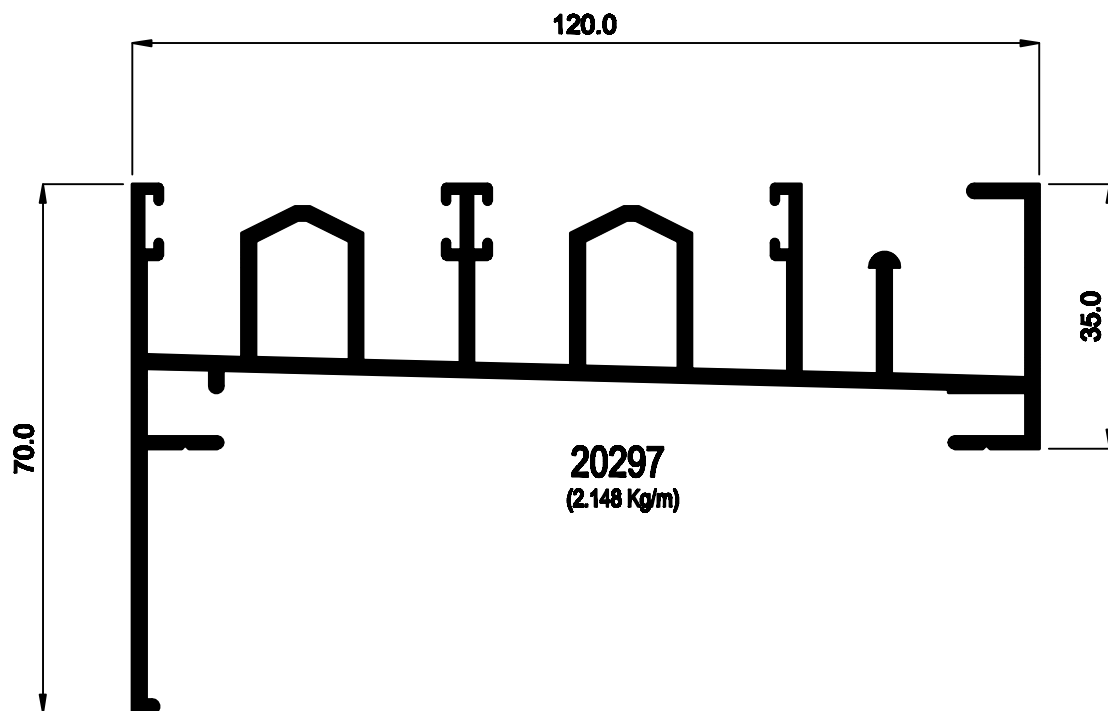
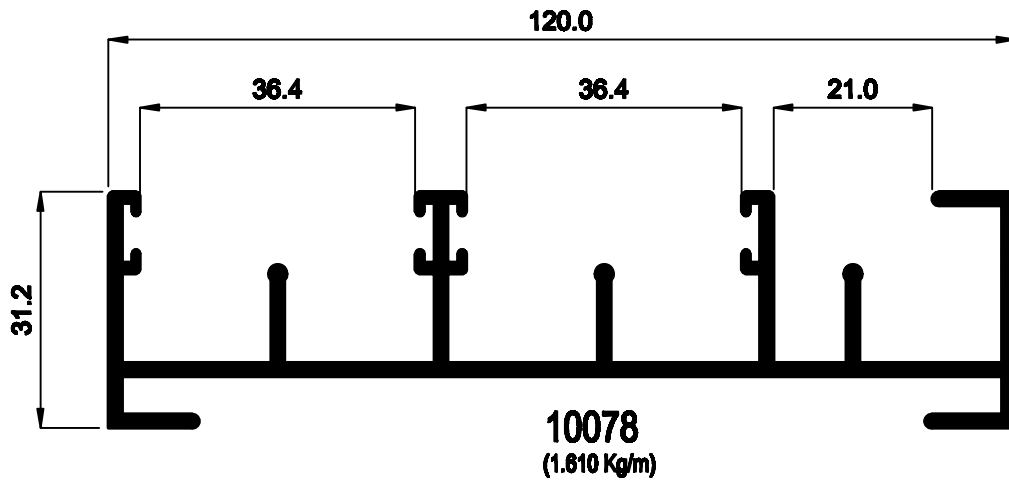
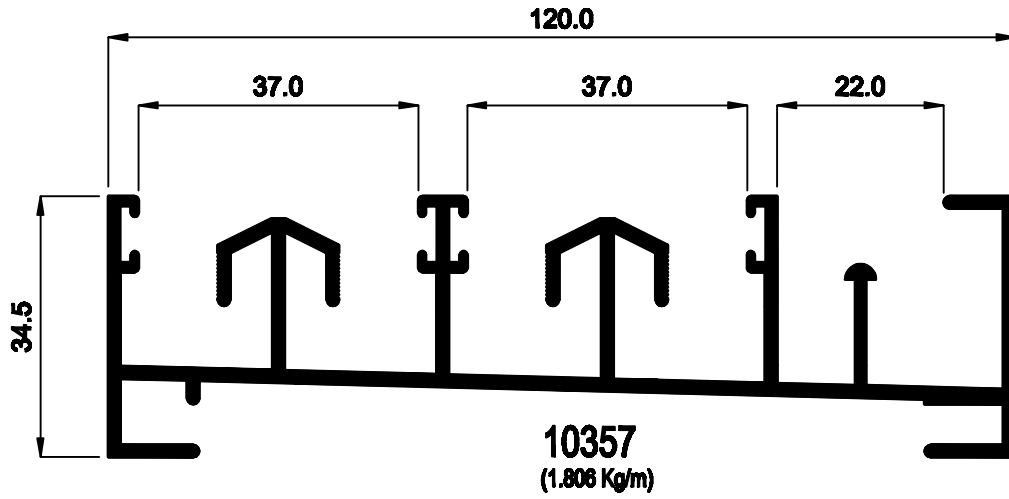


20300
(0.973 Kg/m)

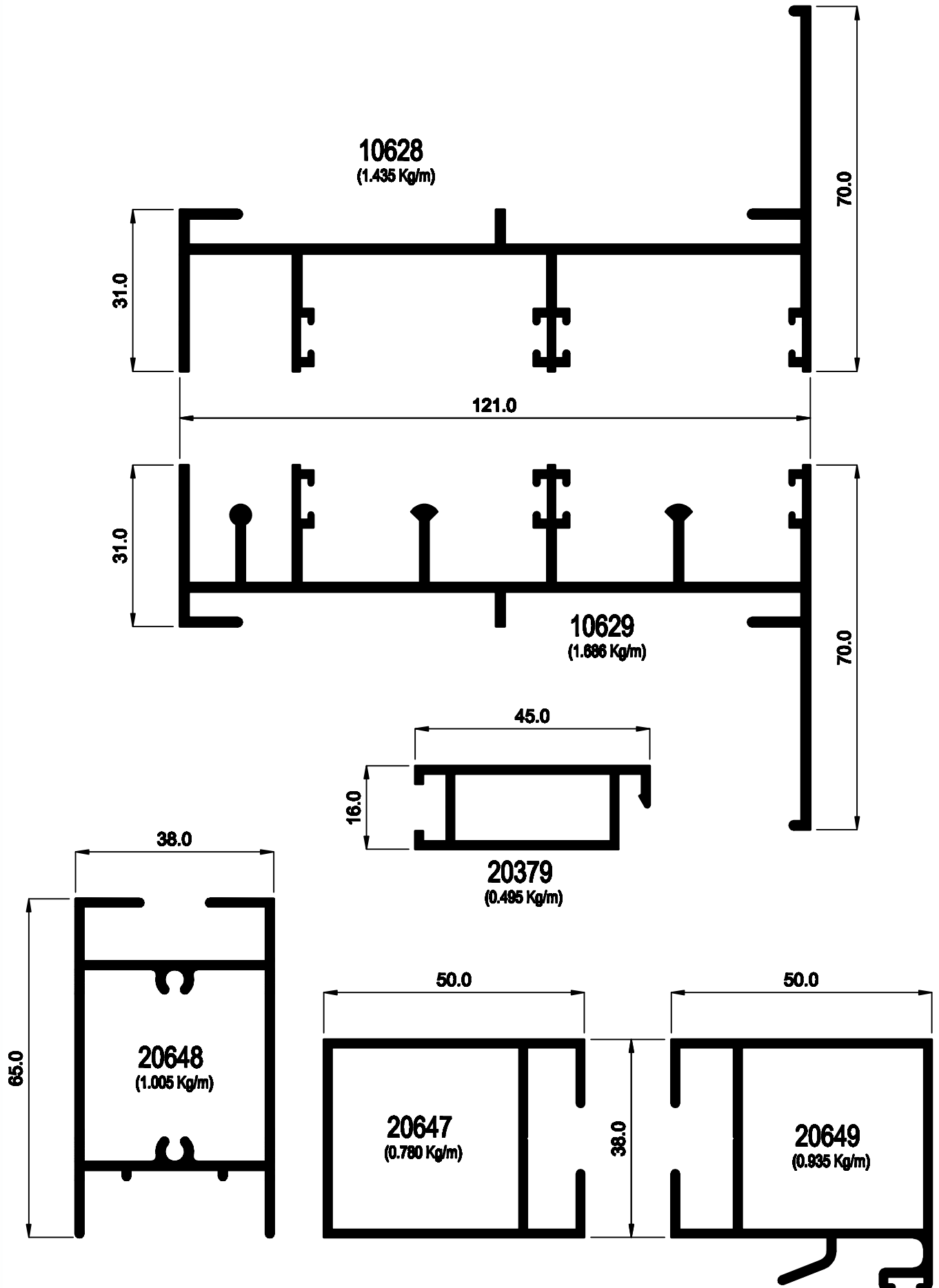


20378
(1.080 Kg/m)

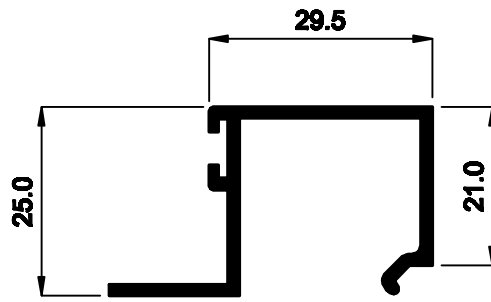
SLIDING - 120 mm



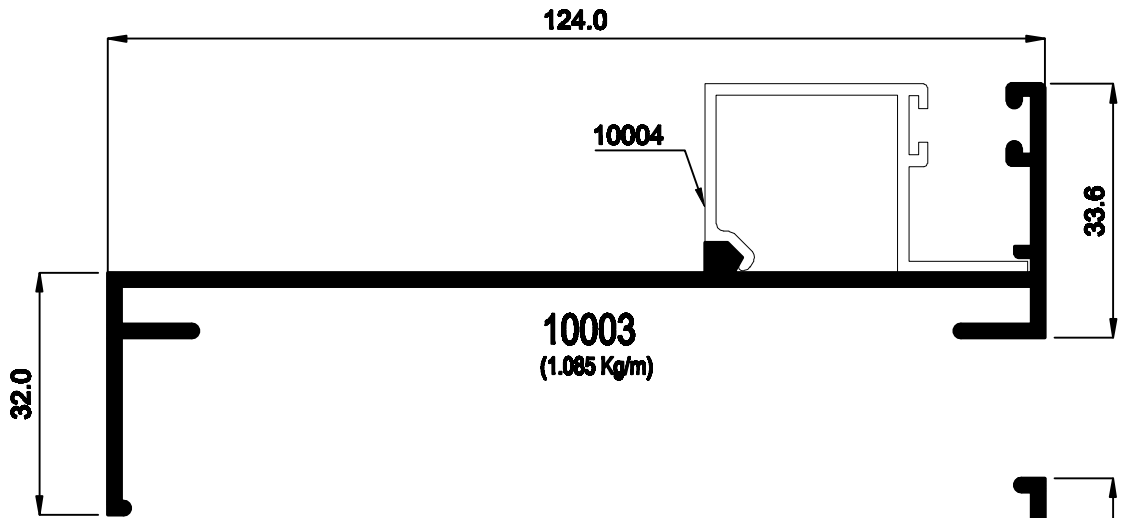
SLIDING - 121 mm



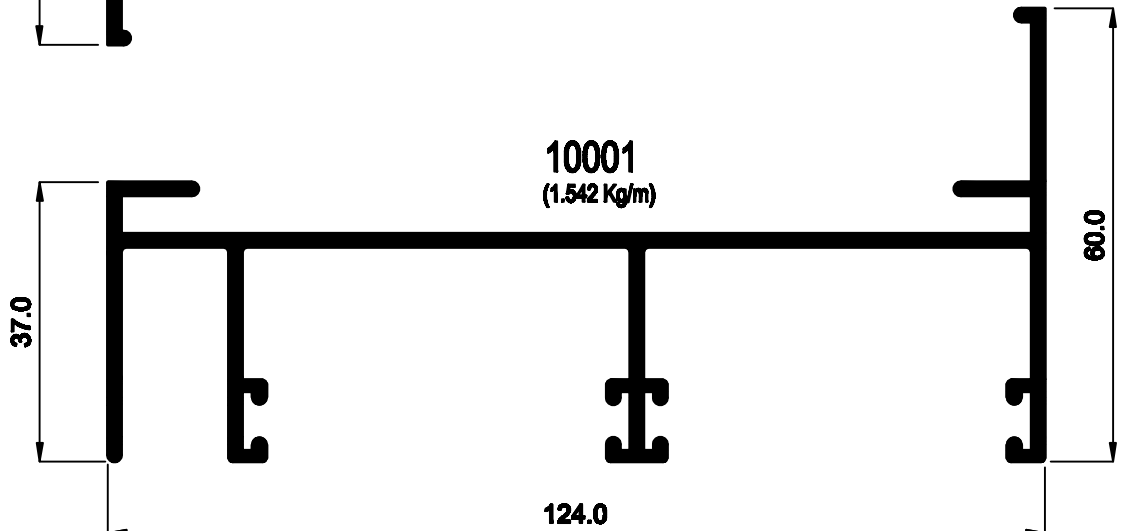
SLIDING - 124 mm



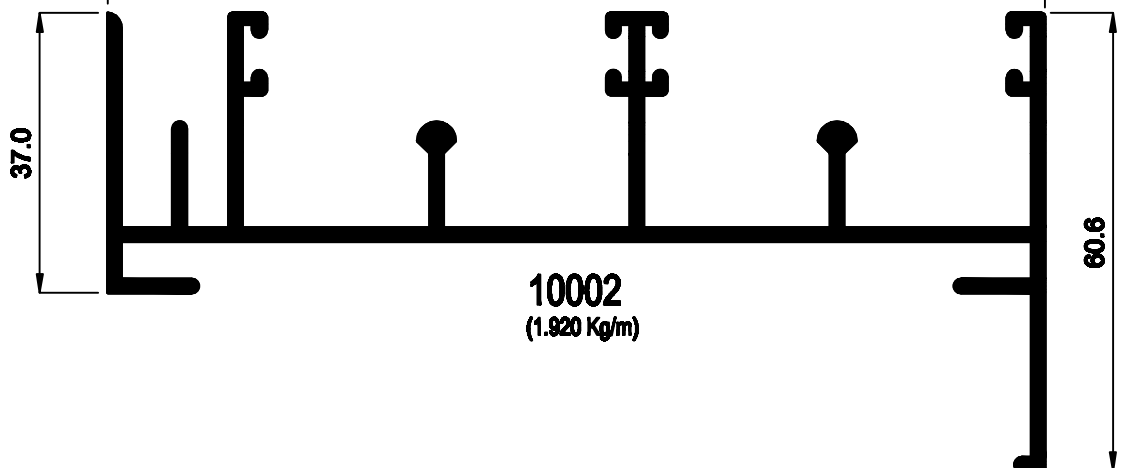
10004
(0.427 Kg/m)



10003
(1.085 Kg/m)

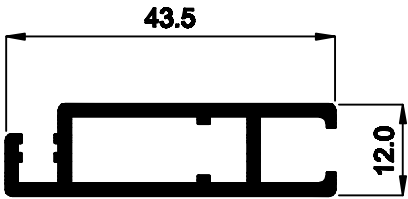


10001
(1.542 Kg/m)

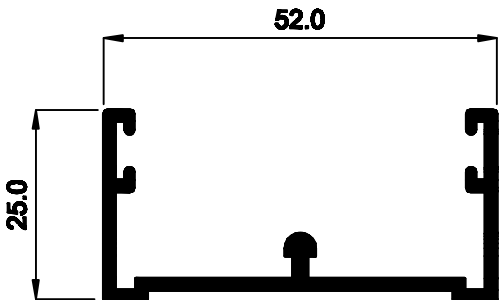


10002
(1.920 Kg/m)

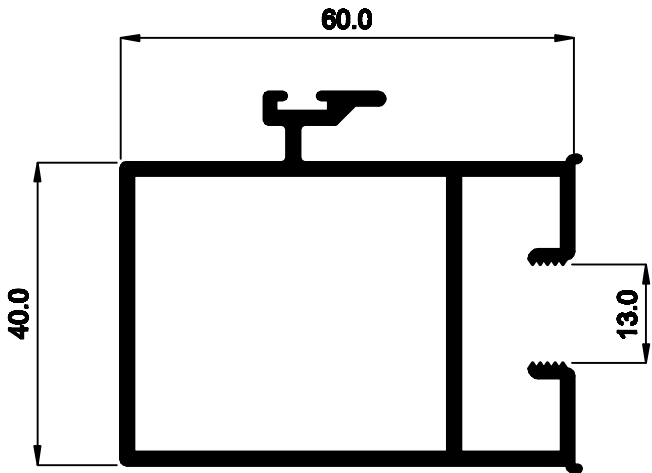
SLIDING - 124 mm



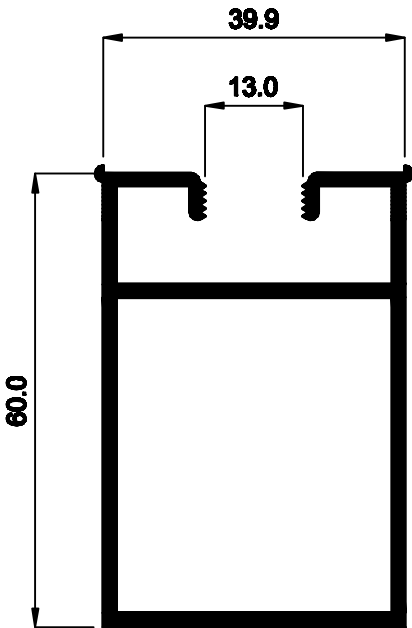
20004
(0.447 Kg/m)



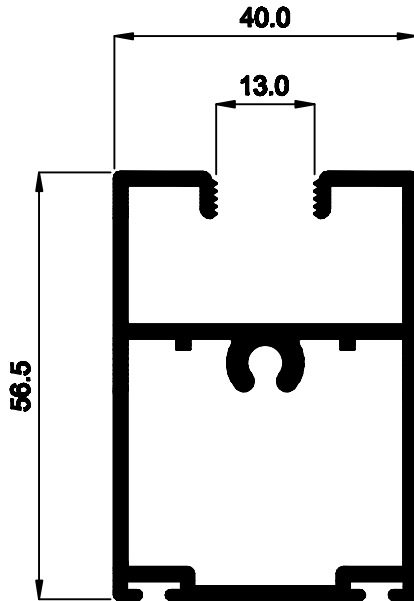
10032
(0.589 Kg/m)



20002
(1.173 Kg/m)

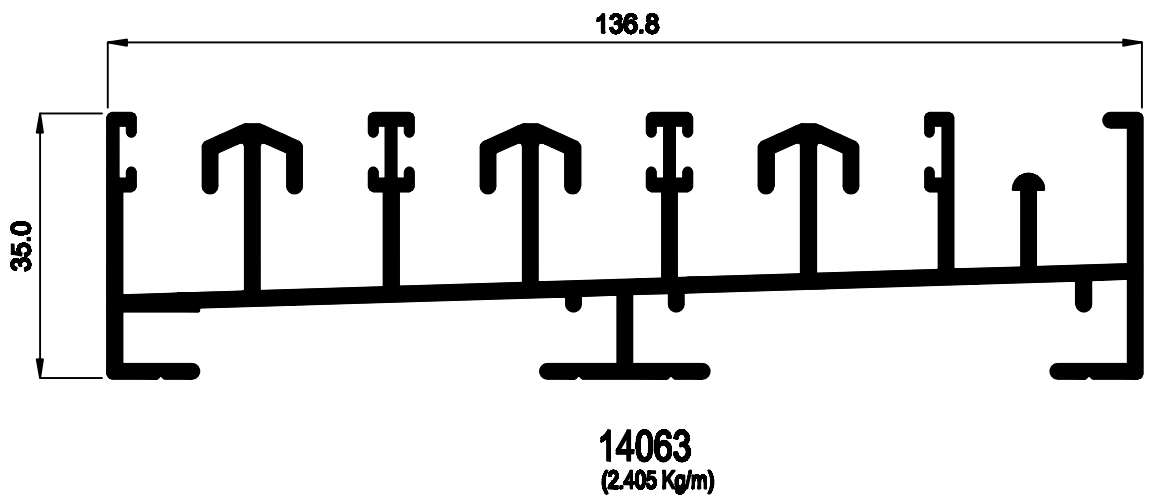
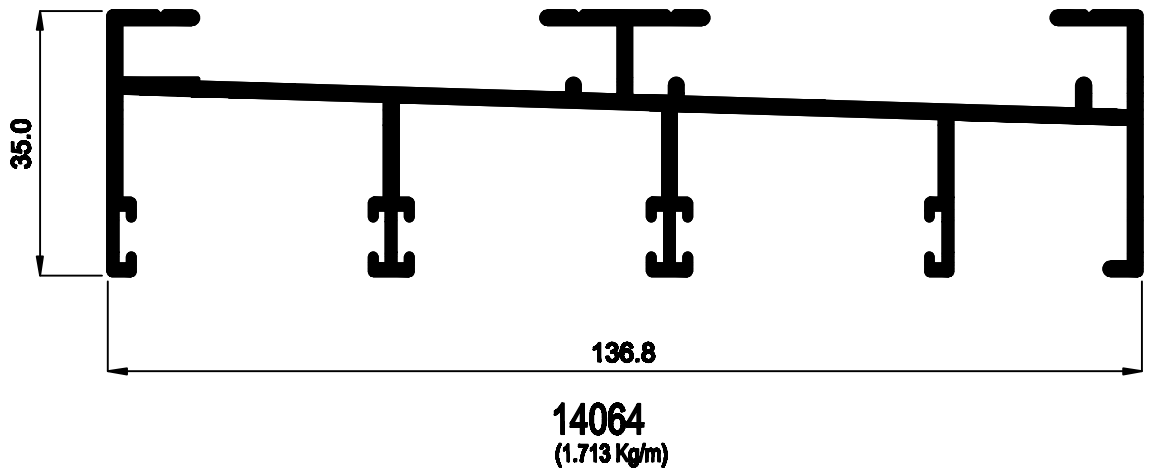


20001
(1.029 Kg/m)

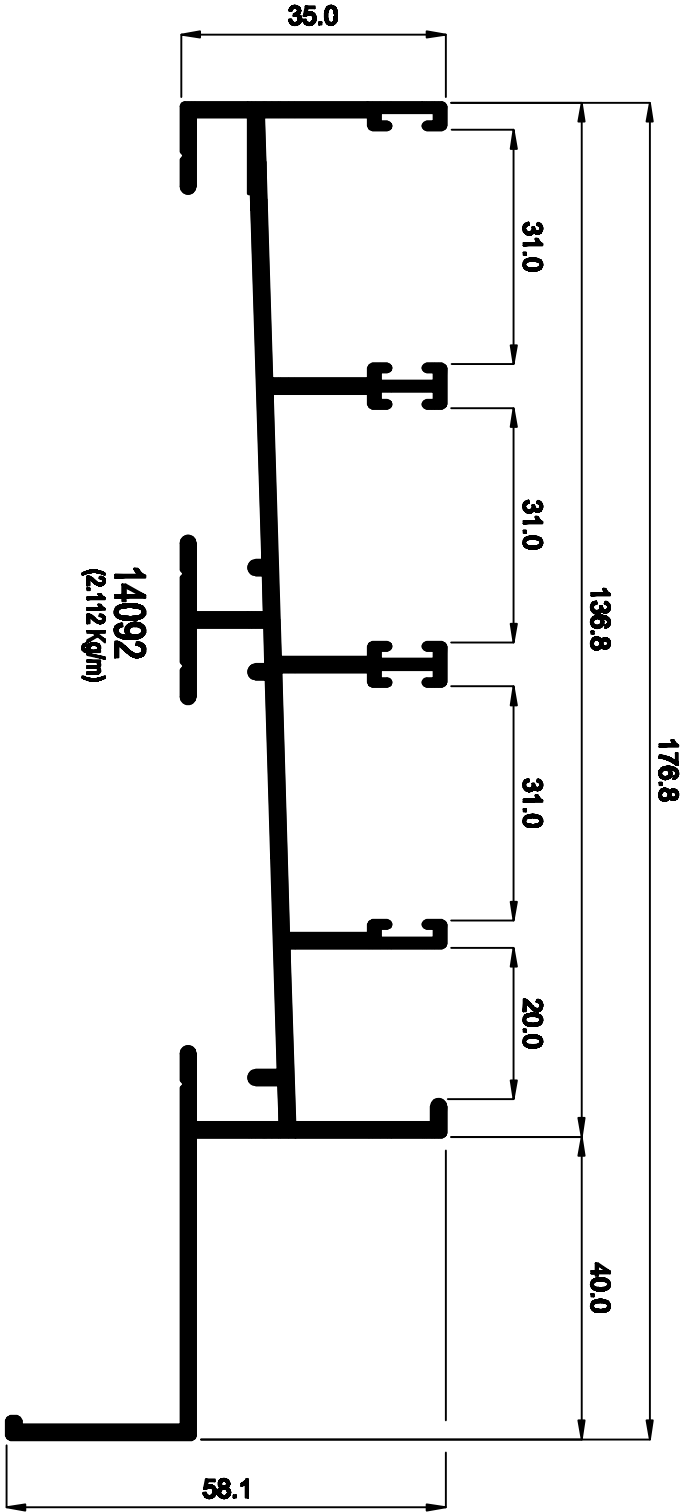


20003
(1.138 Kg/m)

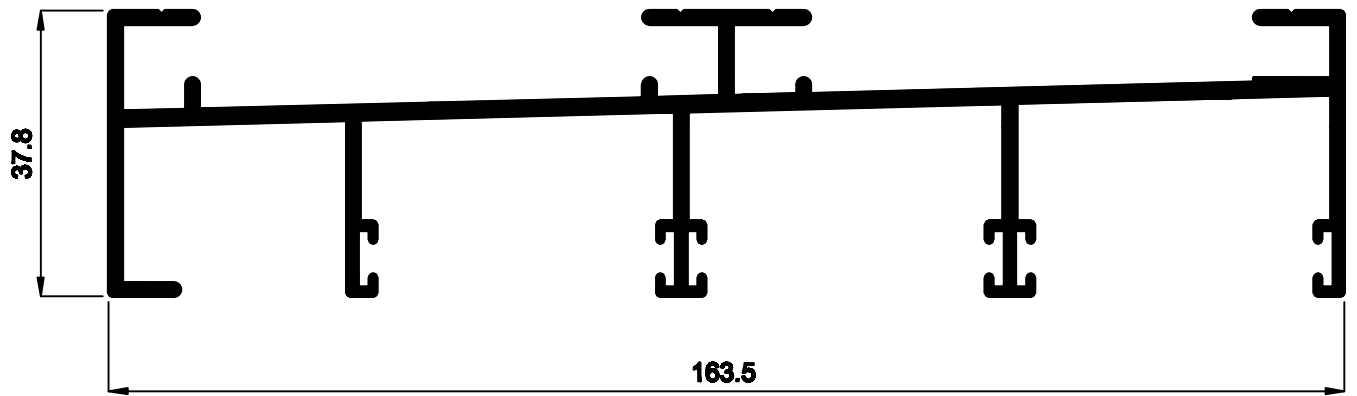
SLIDING MORE THAN - 125 mm



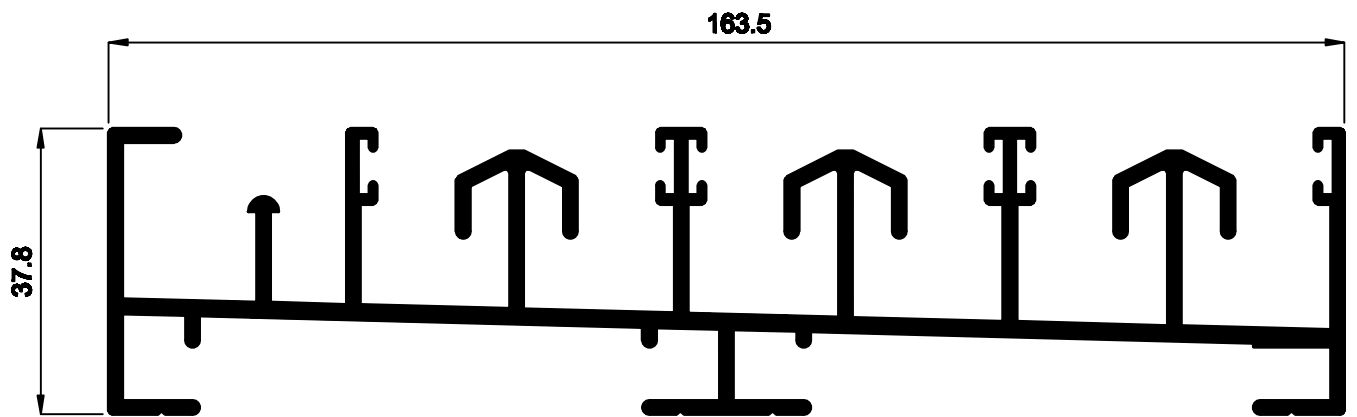
SLIDING MORE THAN - 125 mm



SLIDING MORE THAN - 125 mm

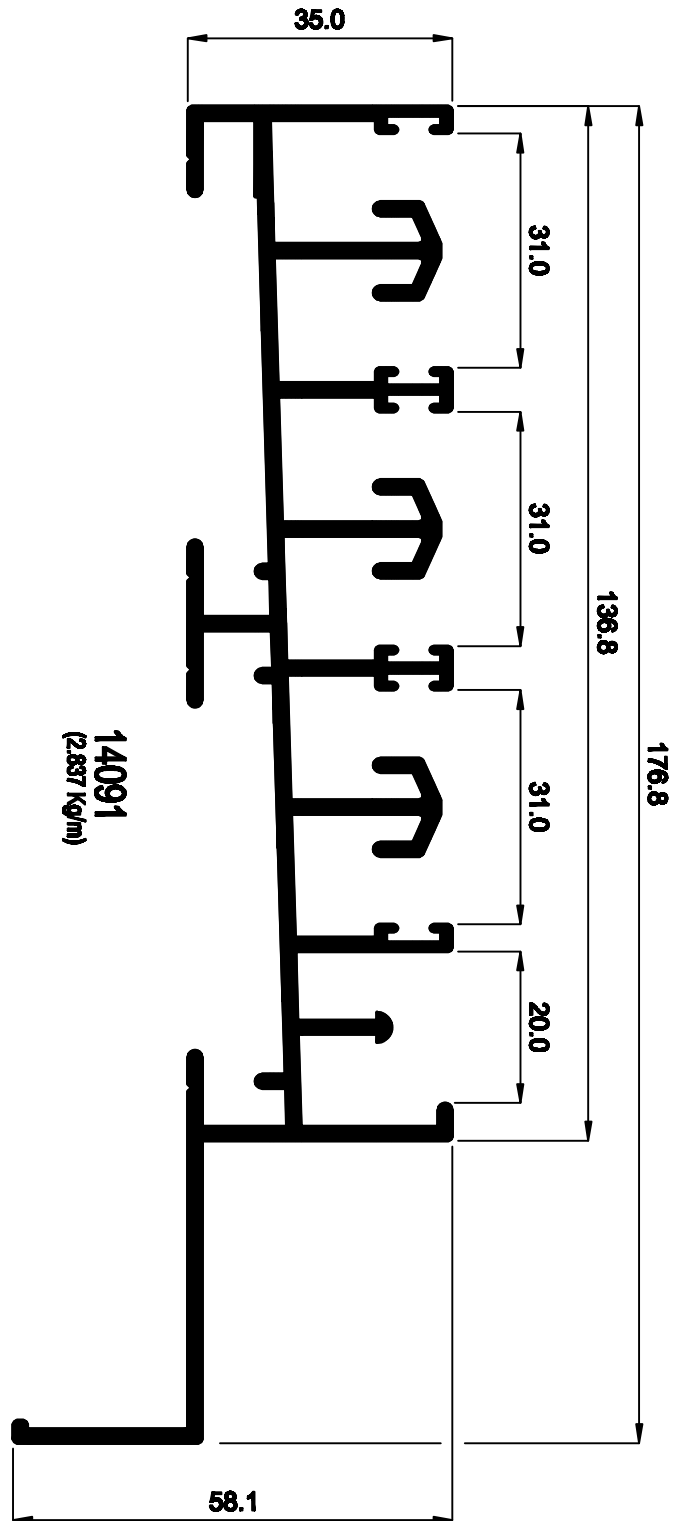


14068
(2.041 Kg/m)



14067
(2.852 Kg/m)

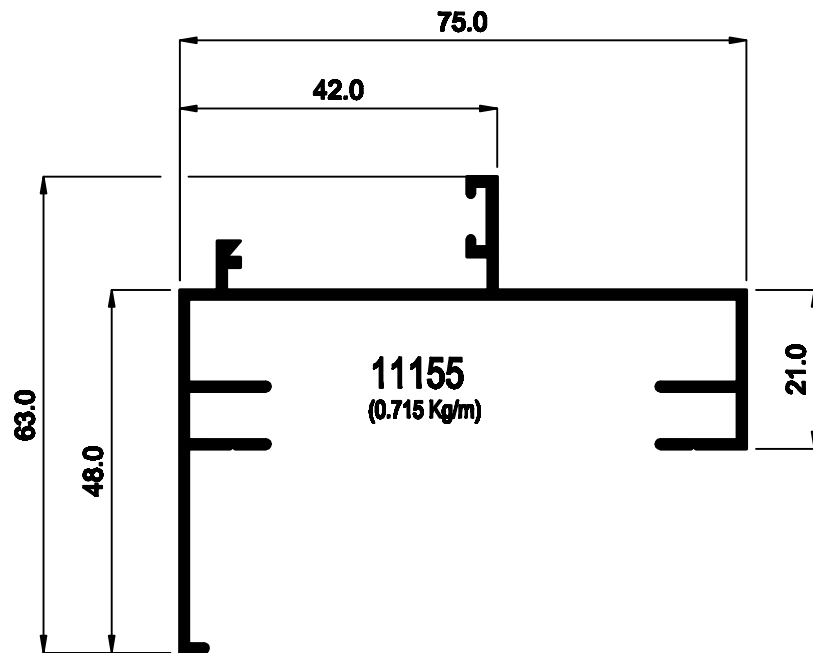
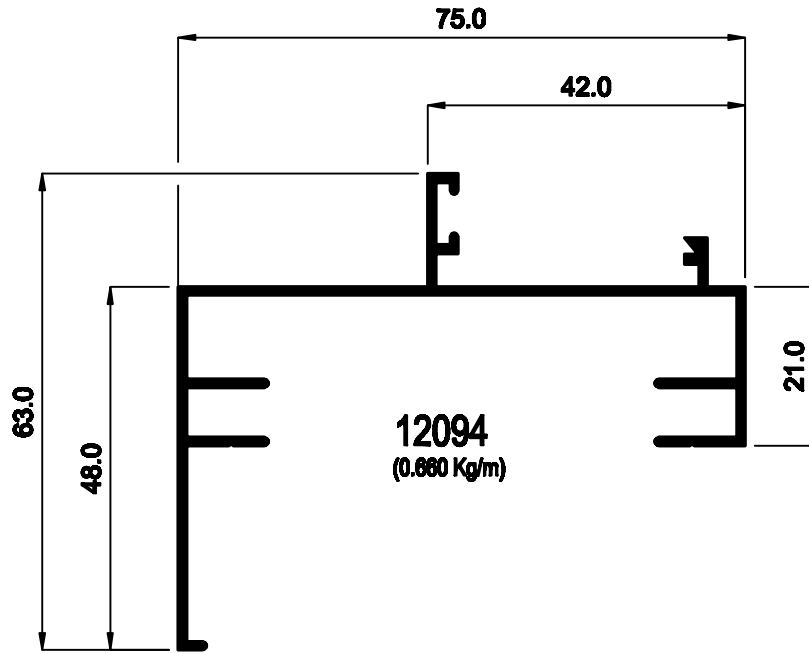
SLIDING MORE THAN - 125 mm



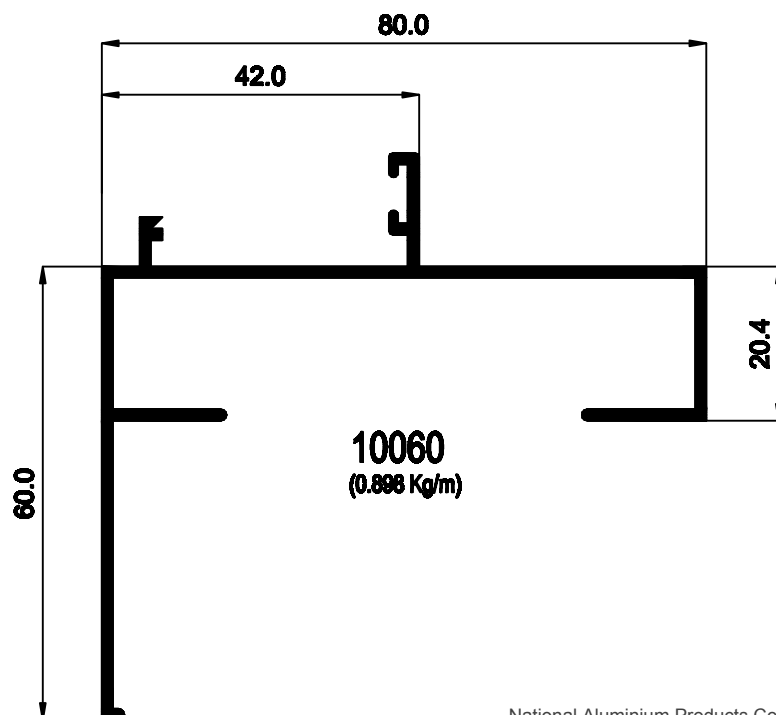
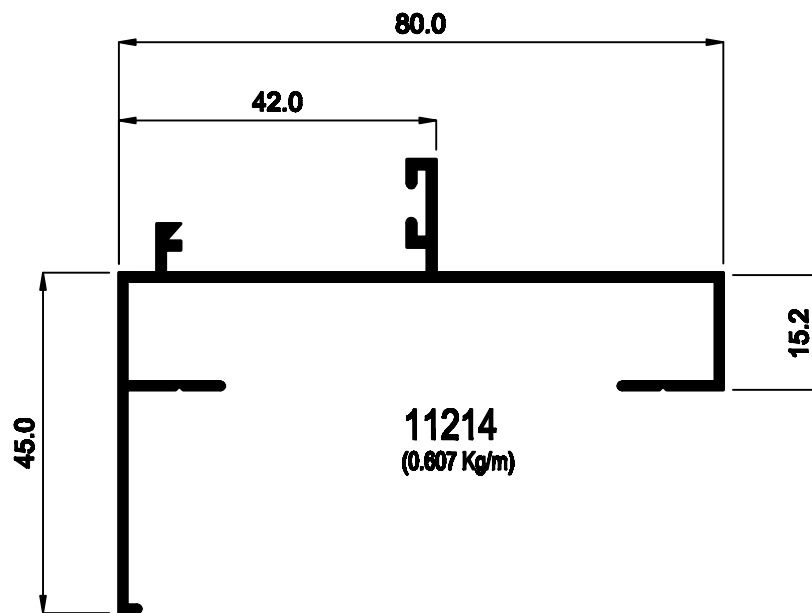
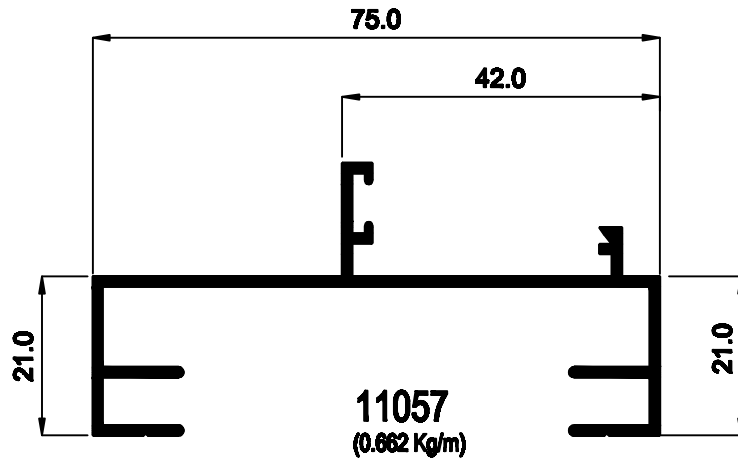


HINGED DOORS & WINDOWS

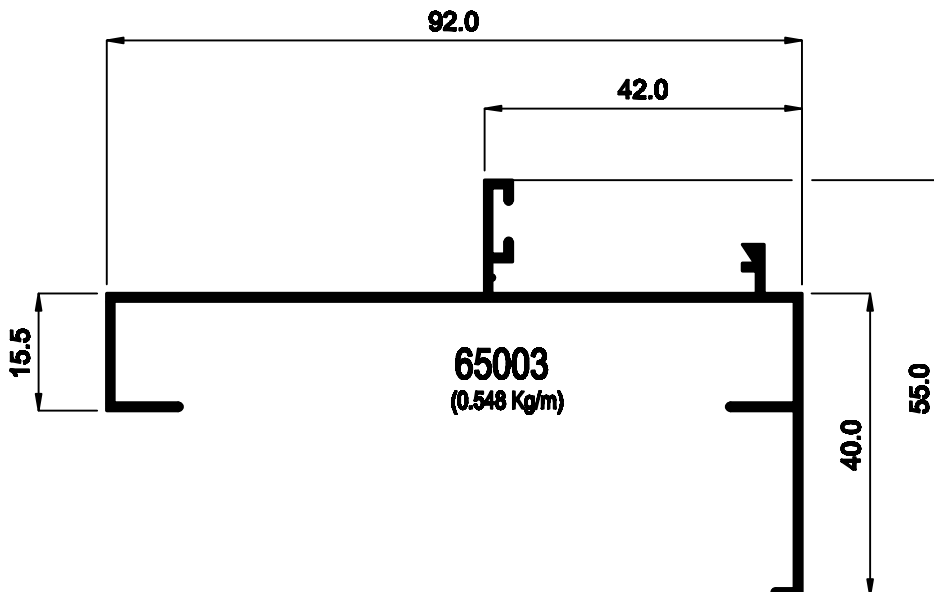
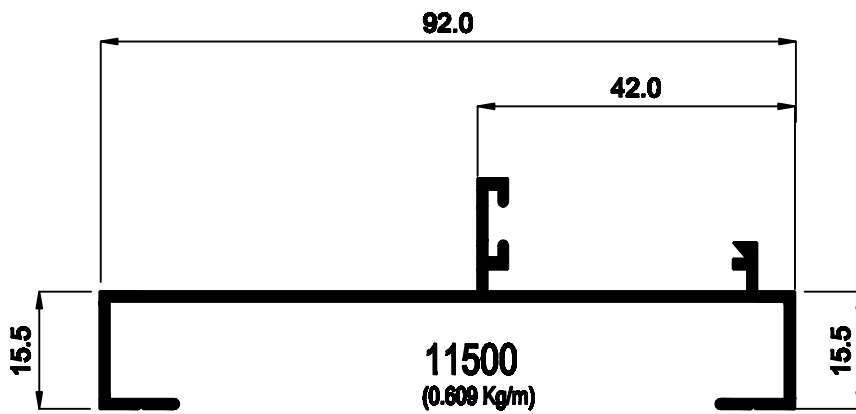
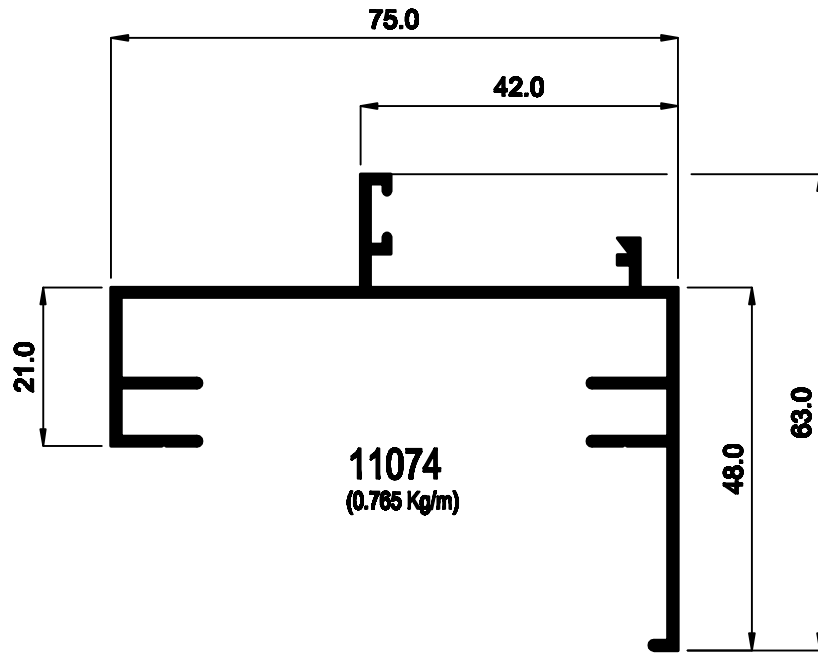
HINGED DOORS & WINDOWS - 42 mm



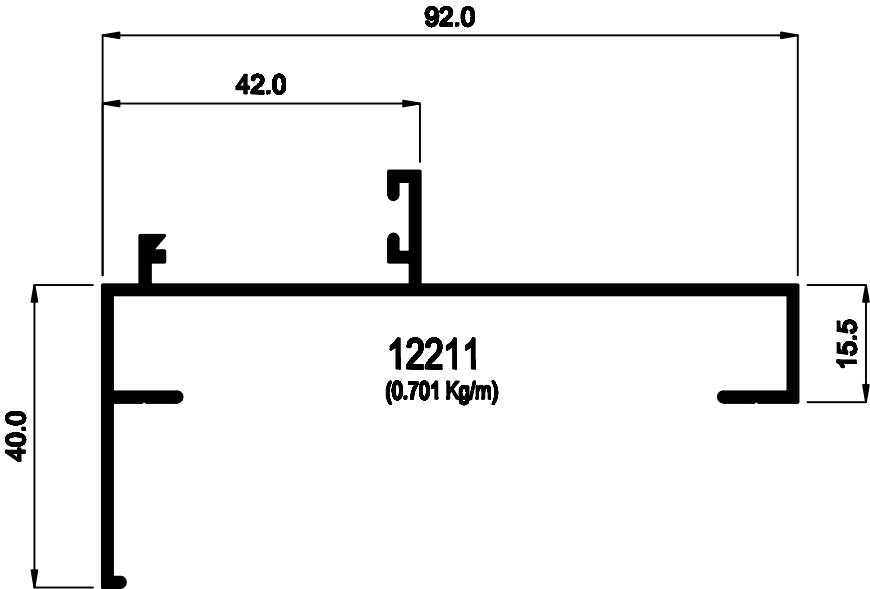
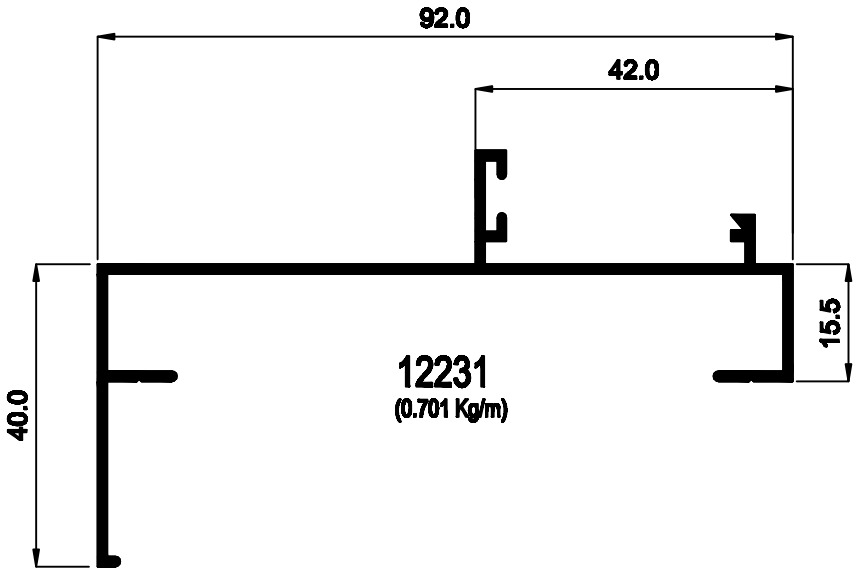
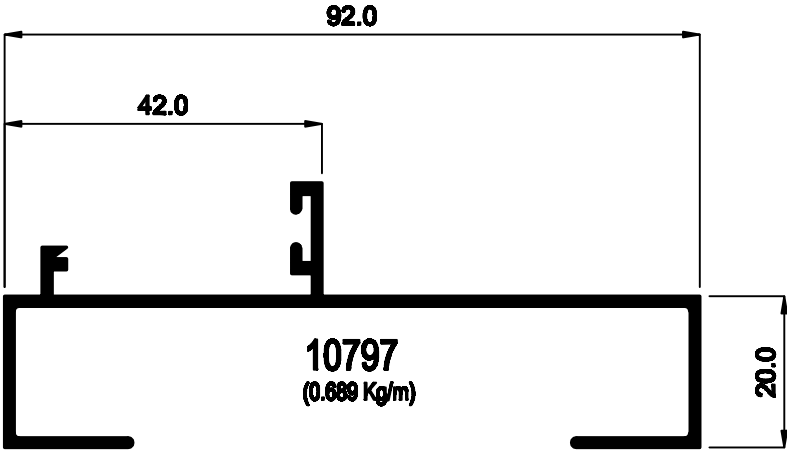
HINGED DOORS & WINDOWS - 42 mm



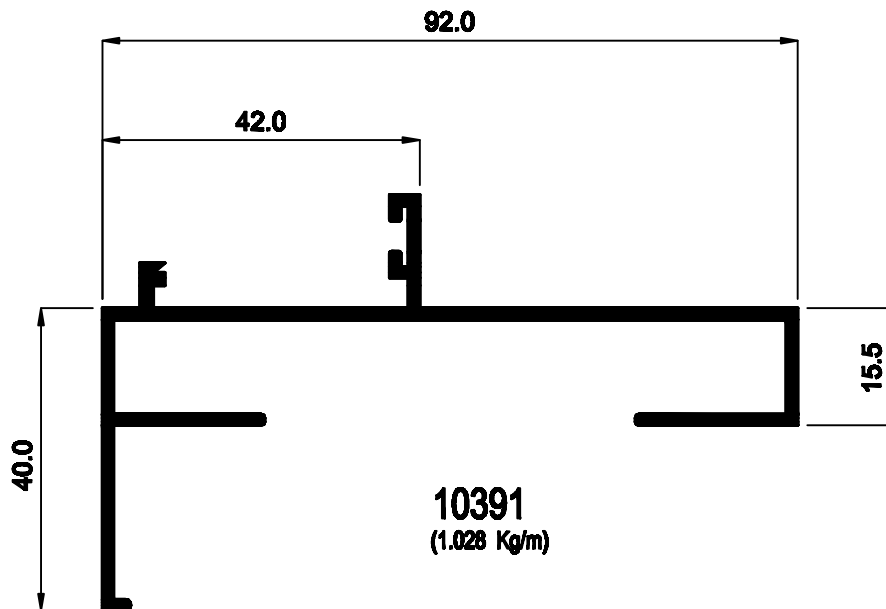
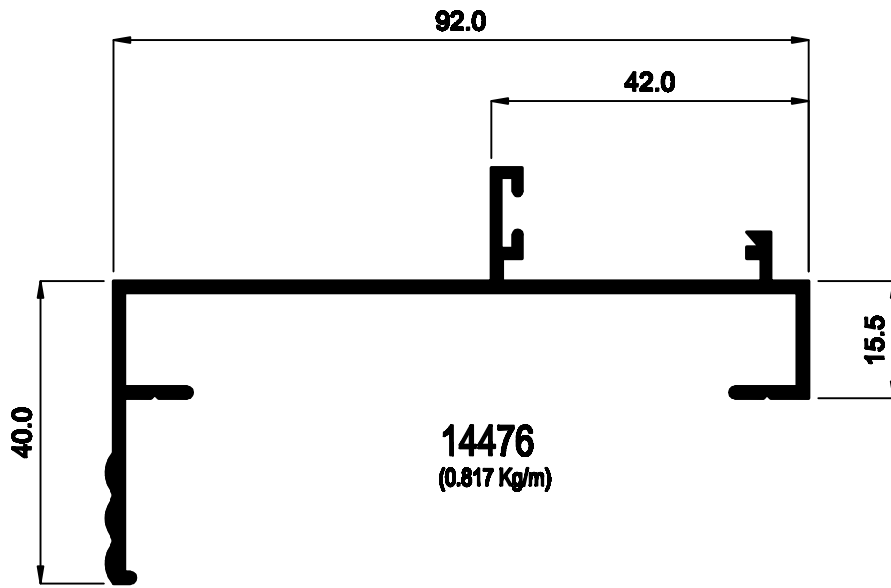
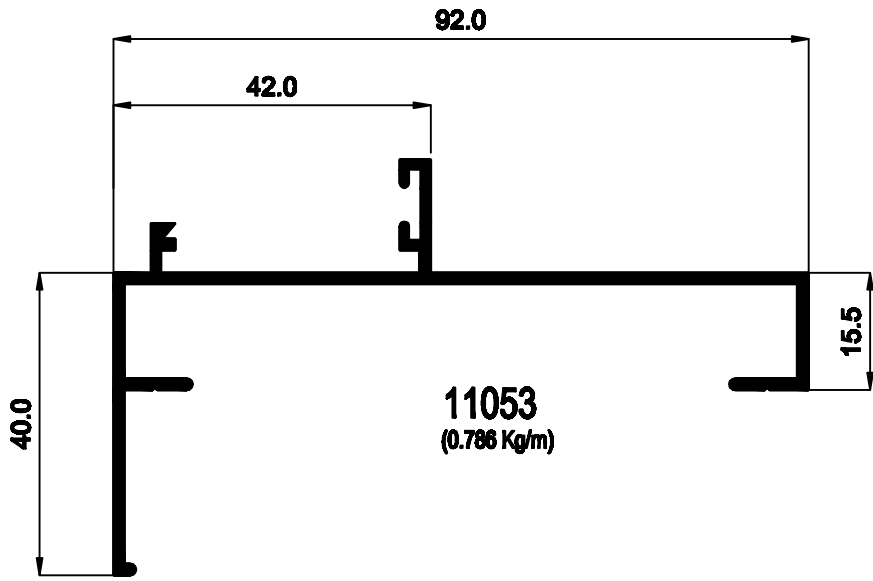
HINGED DOORS & WINDOWS - 42 mm



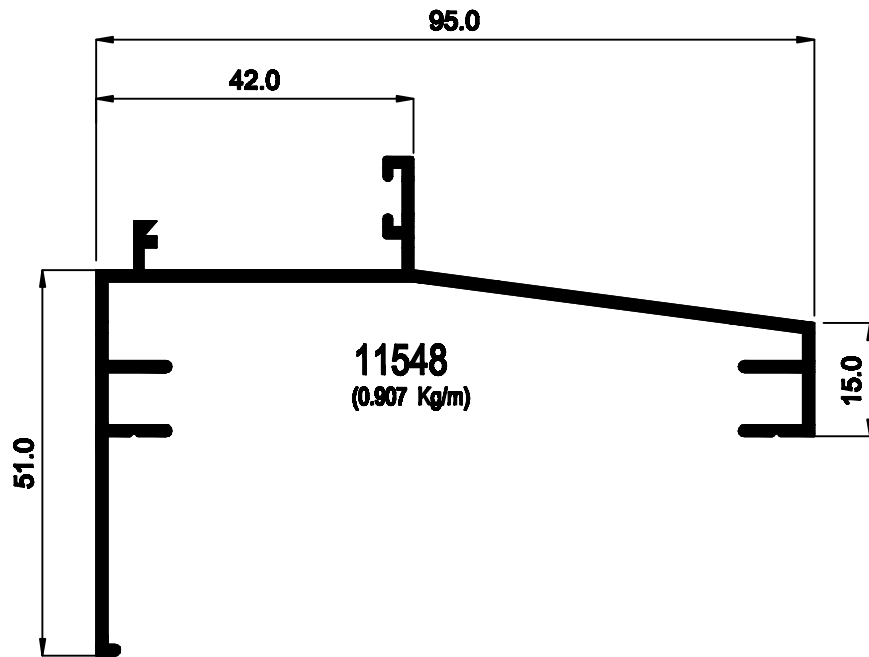
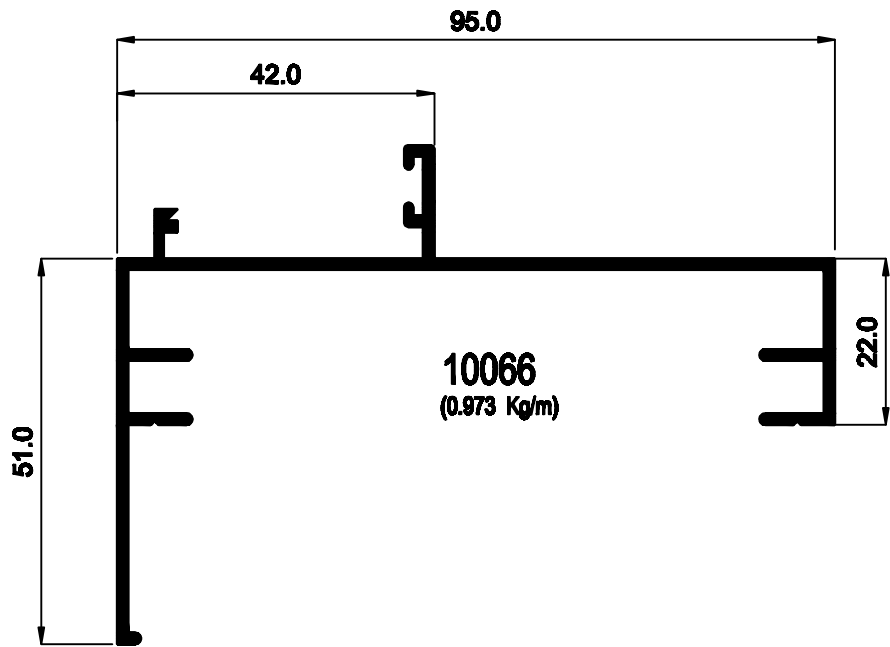
HINGED DOORS & WINDOWS - 42 mm



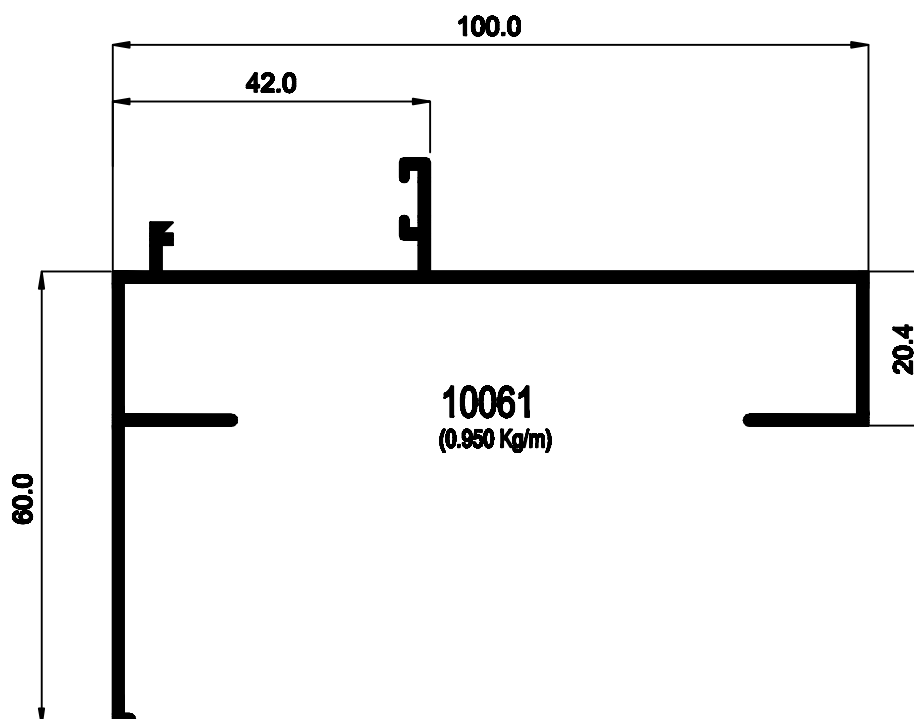
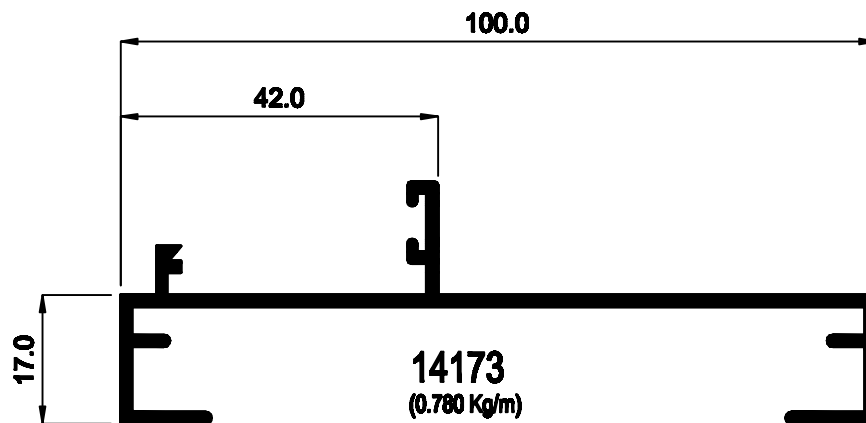
HINGED DOORS & WINDOWS - 42 mm



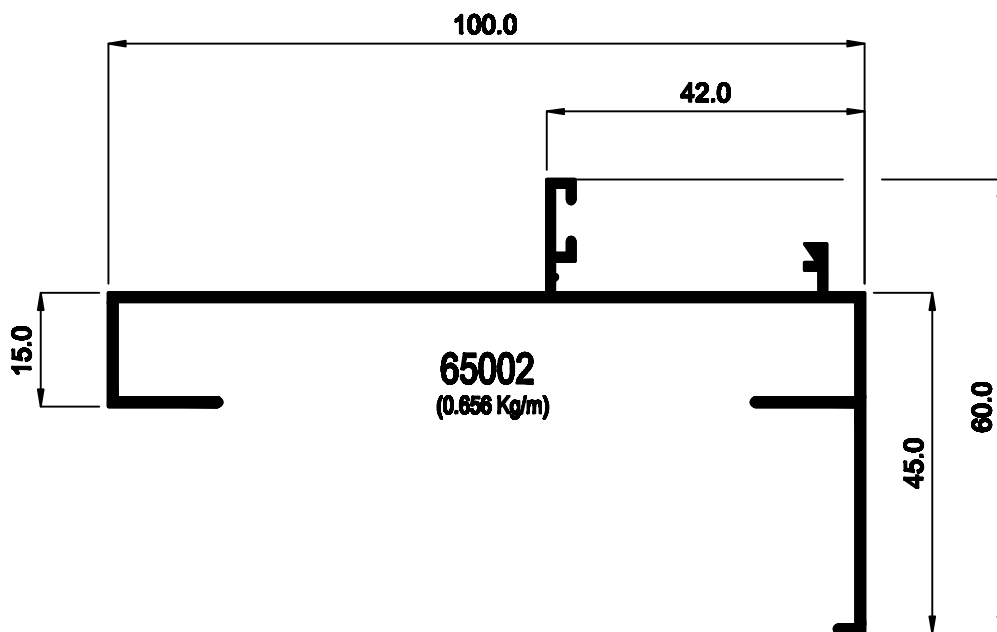
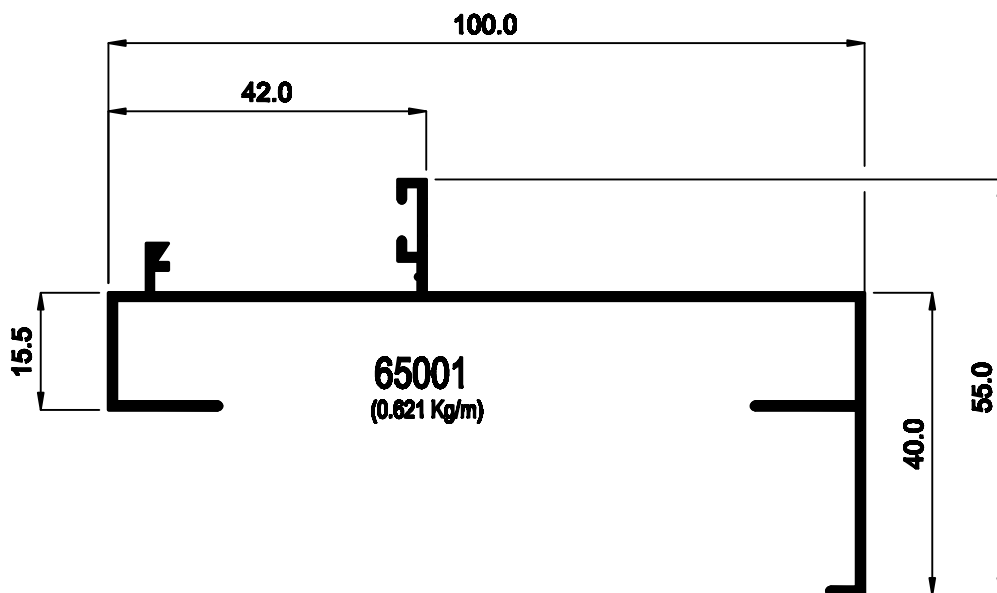
HINGED DOORS & WINDOWS - 42 mm



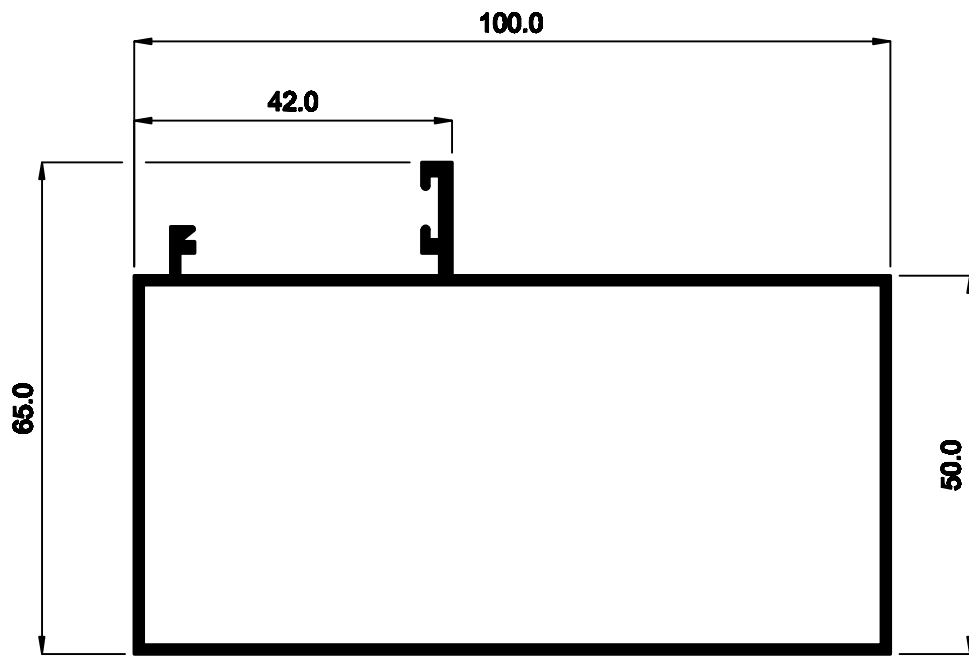
HINGED DOORS & WINDOWS - 42 mm



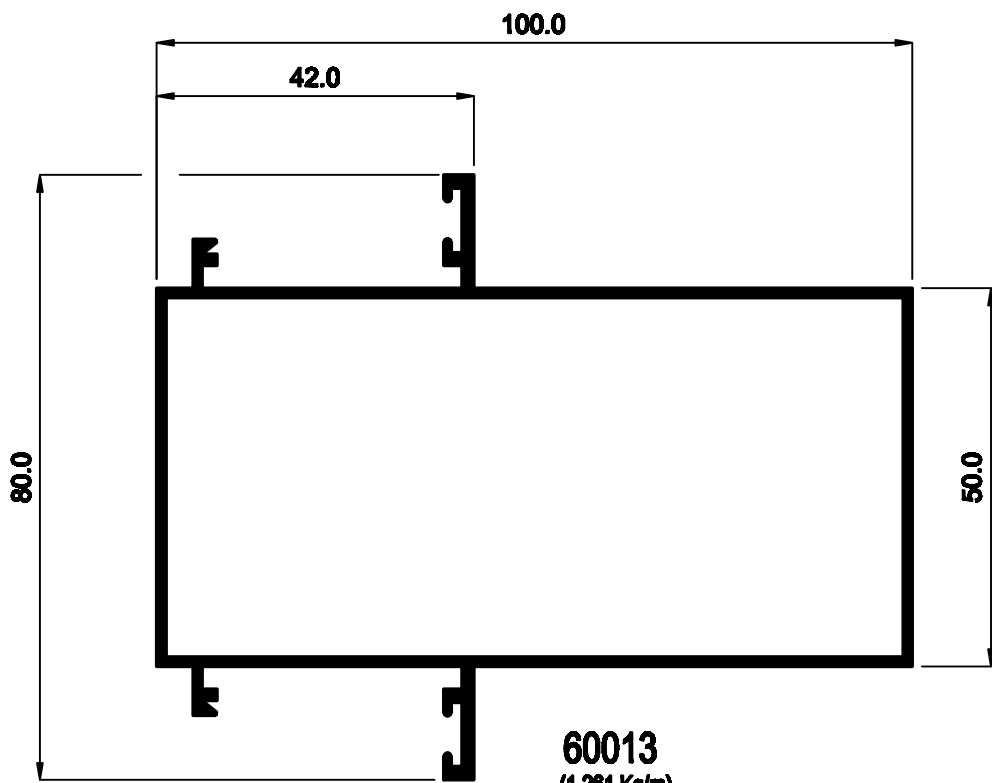
HINGED DOORS & WINDOWS - 42 mm



HINGED DOORS & WINDOWS - 42 mm

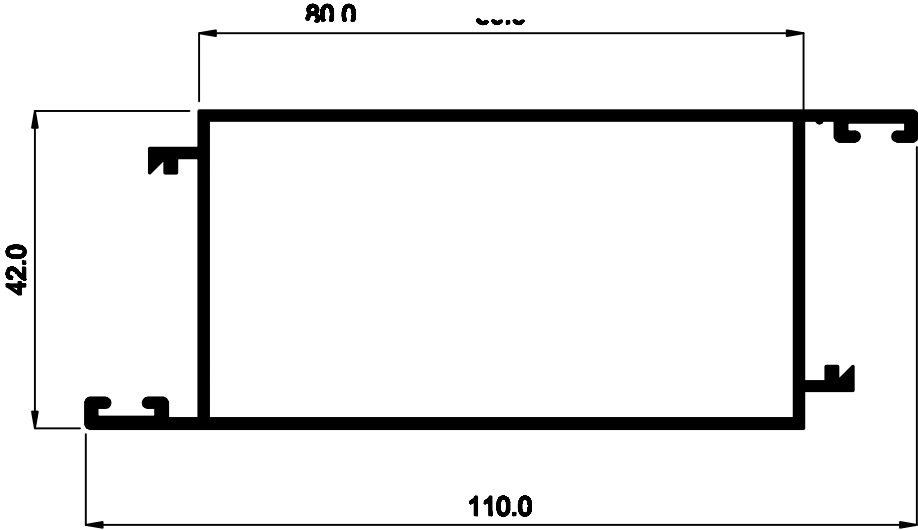


60011
(1.090 Kg/m)

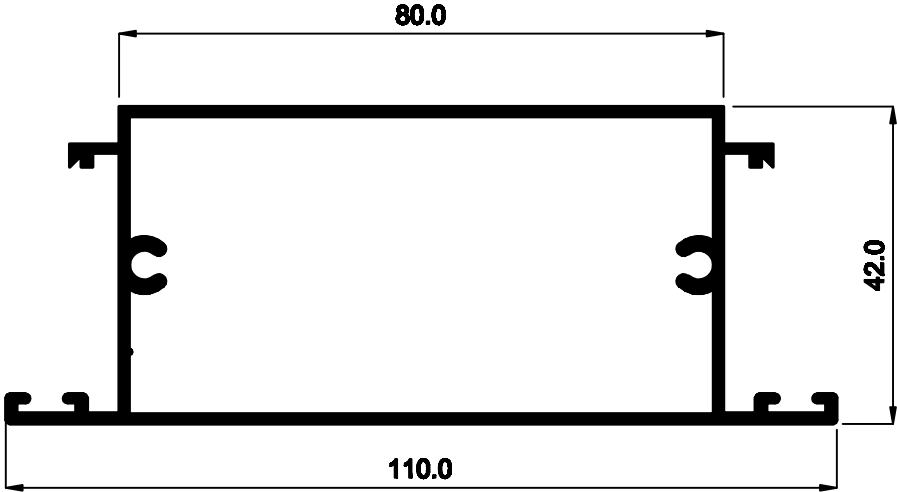


60013
(1.281 Kg/m)

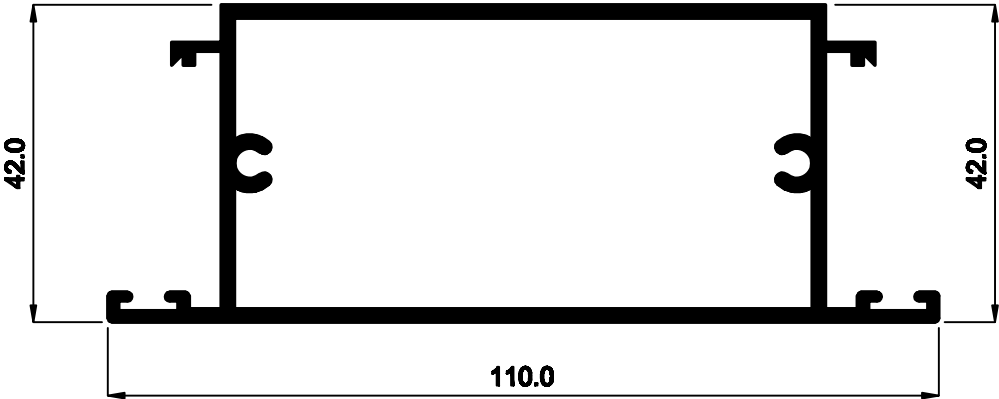
HINGED DOORS & WINDOWS - 42 mm



60012
(1.052 Kg/m)

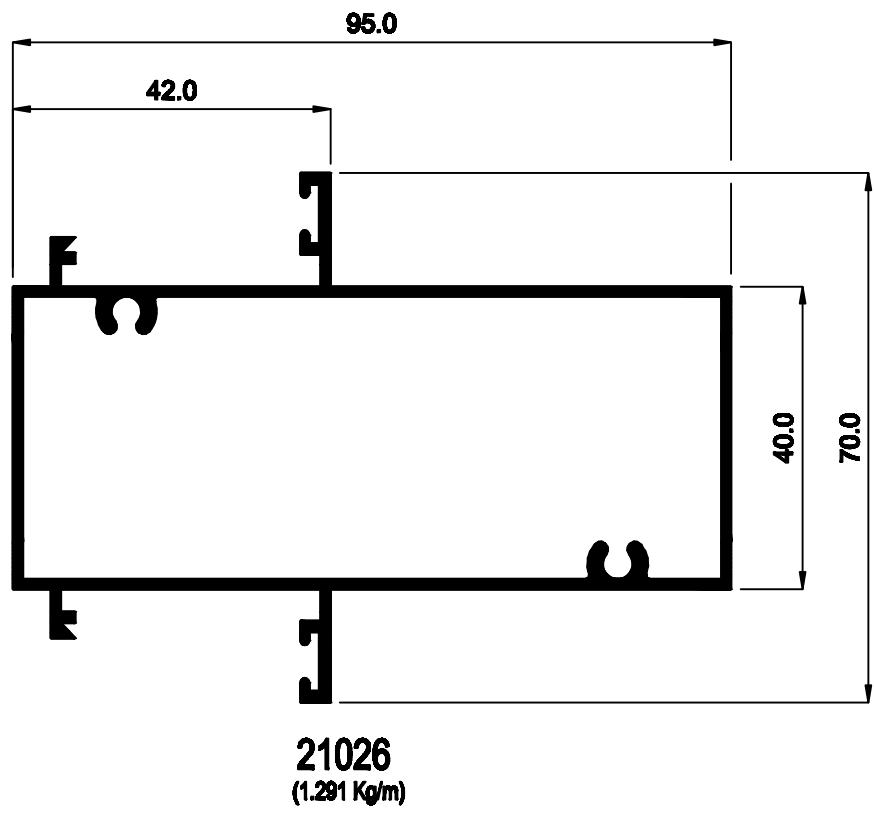
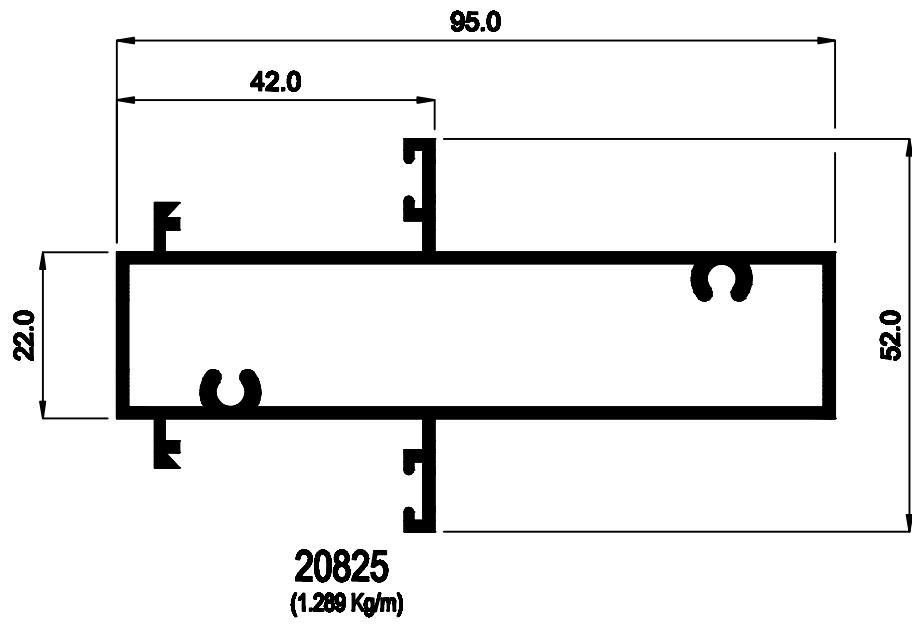


60014
(1.218 Kg/m)

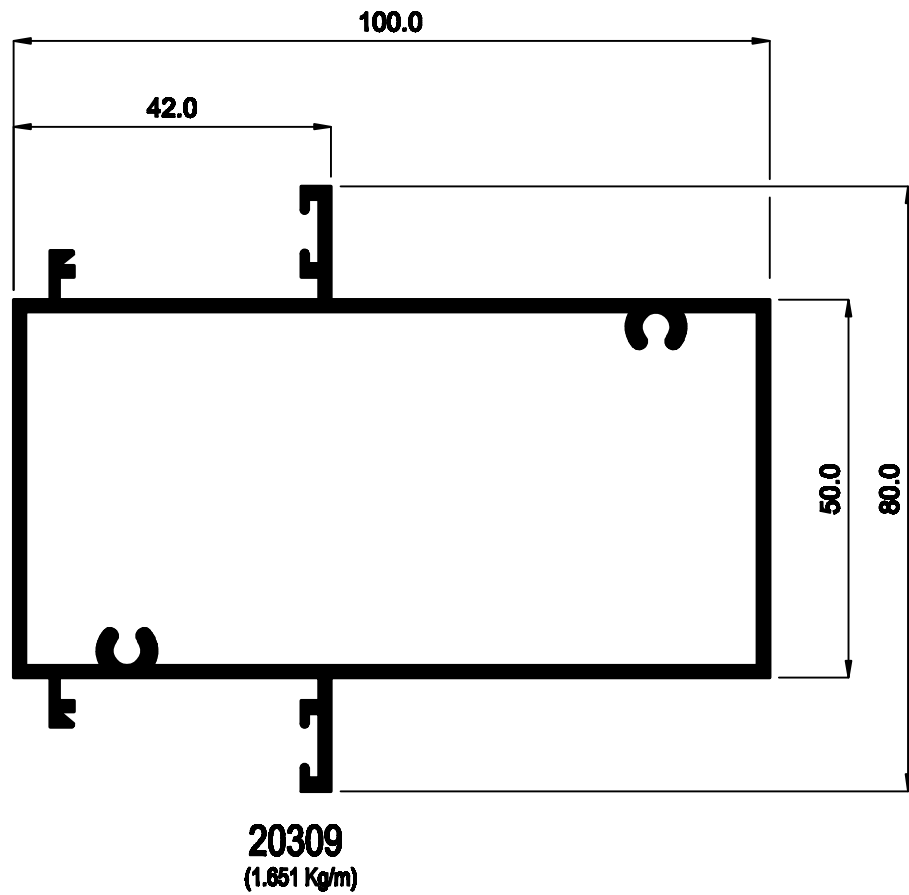
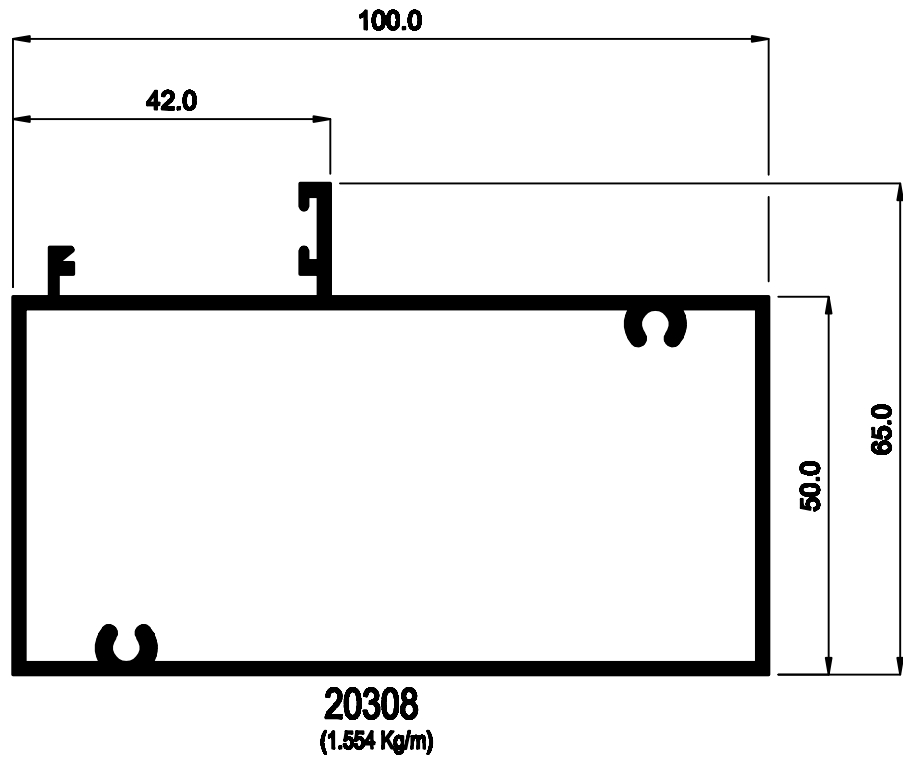


20059
(1.510 Kg/m)

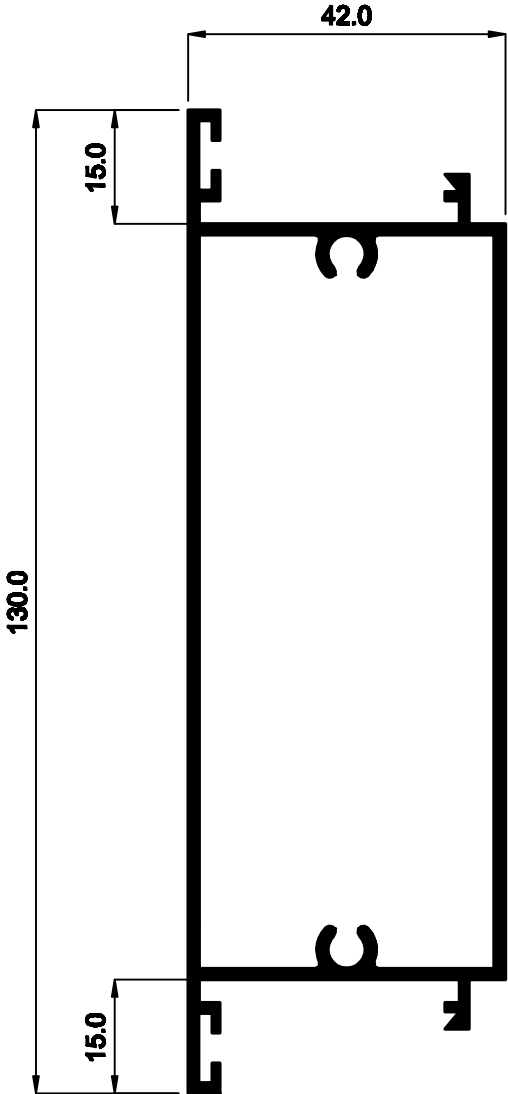
HINGED DOORS & WINDOWS - 42 mm



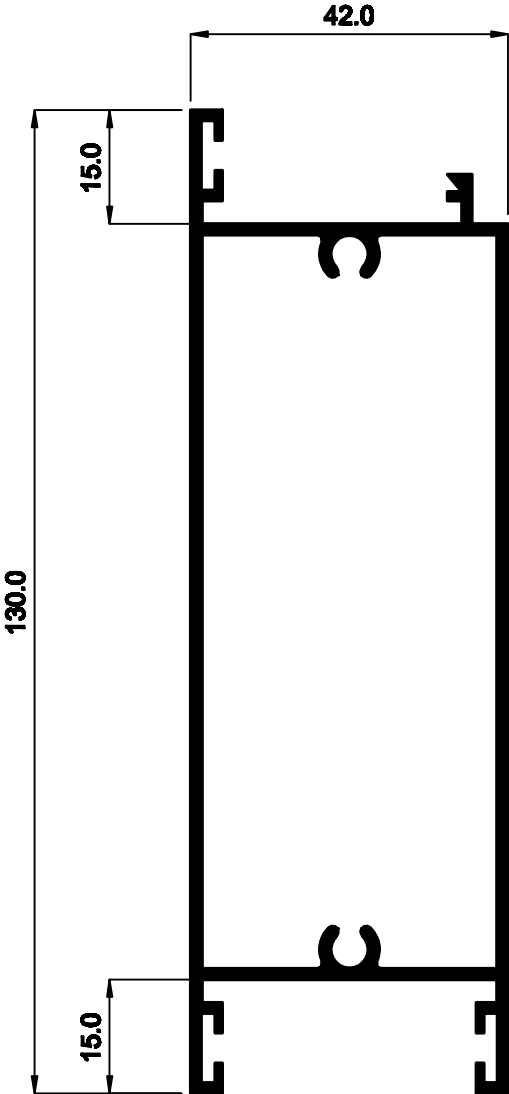
HINGED DOORS & WINDOWS - 42 mm



HINGED DOORS & WINDOWS - 42 mm

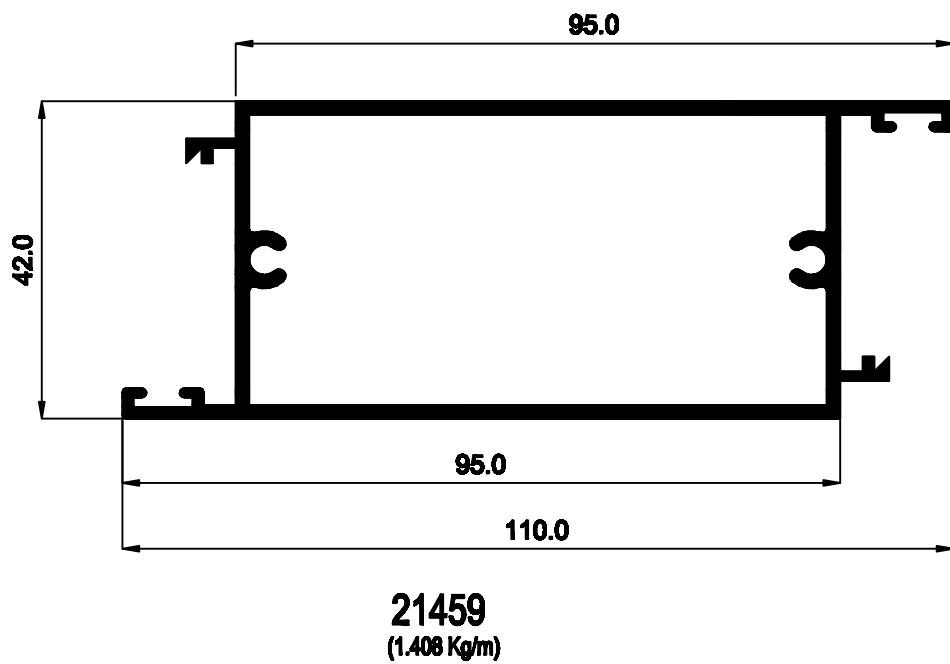
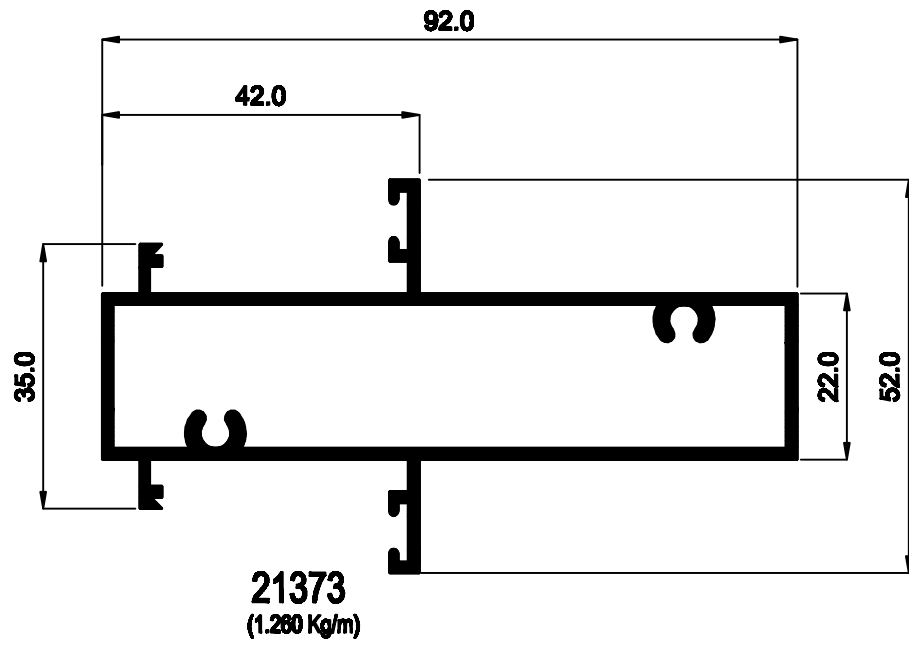


20586
(1.483 Kg/m)

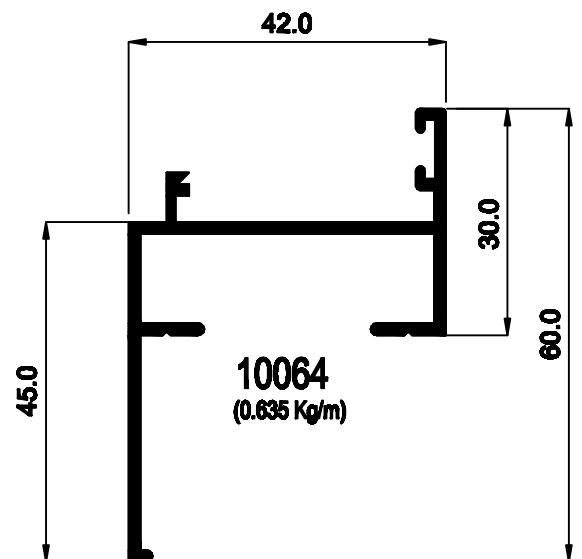
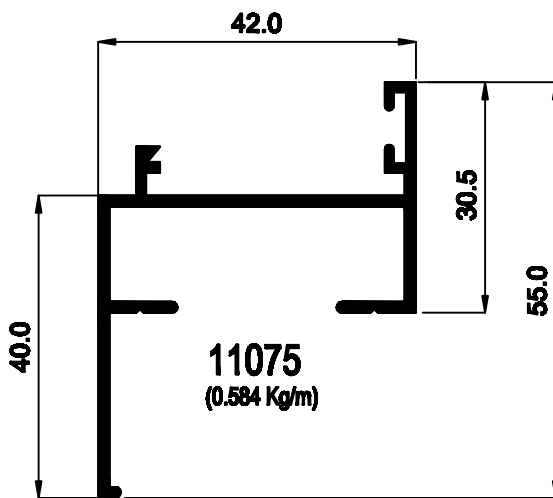
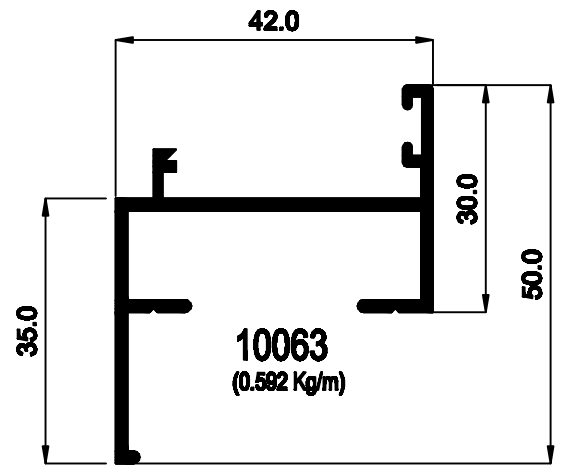
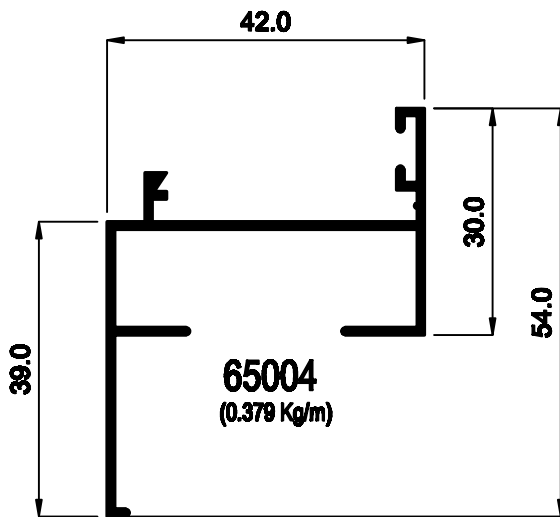
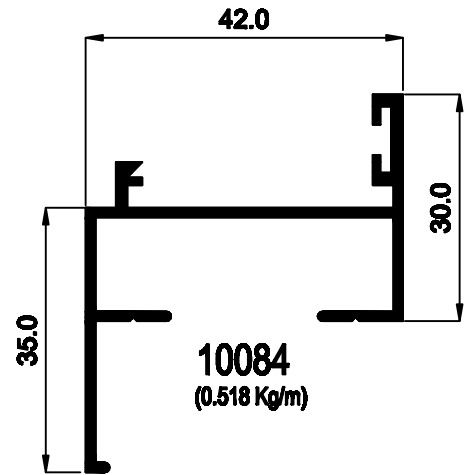
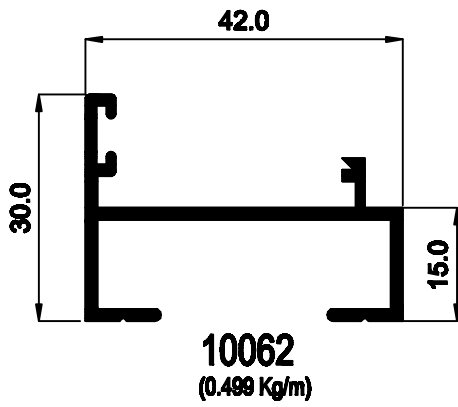


20585
(1.541 Kg/m)

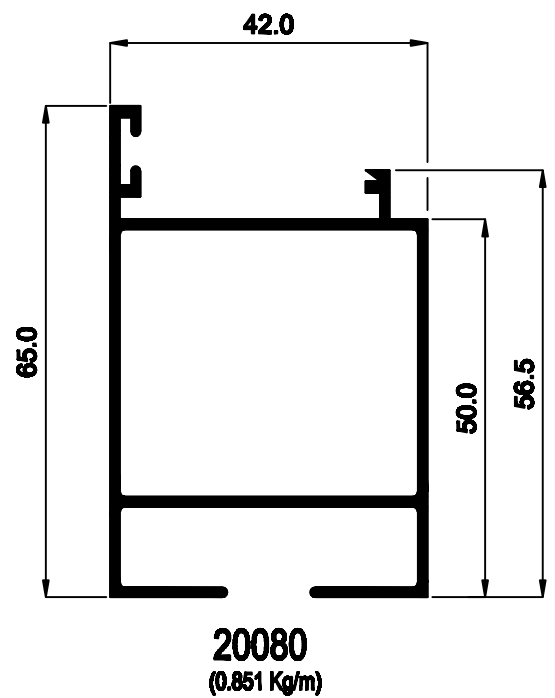
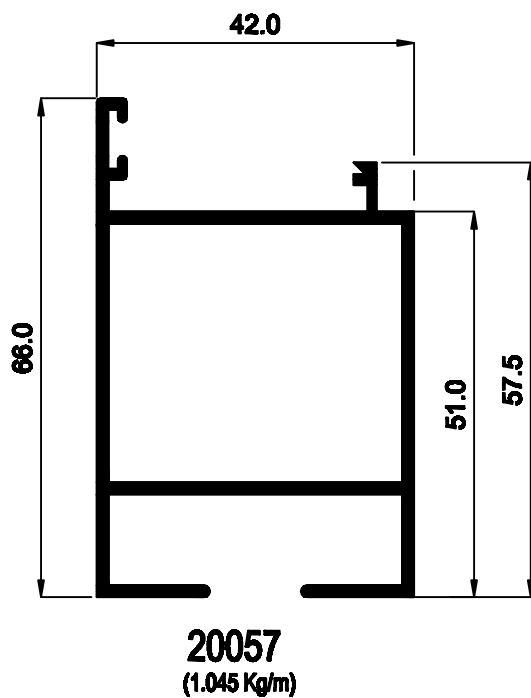
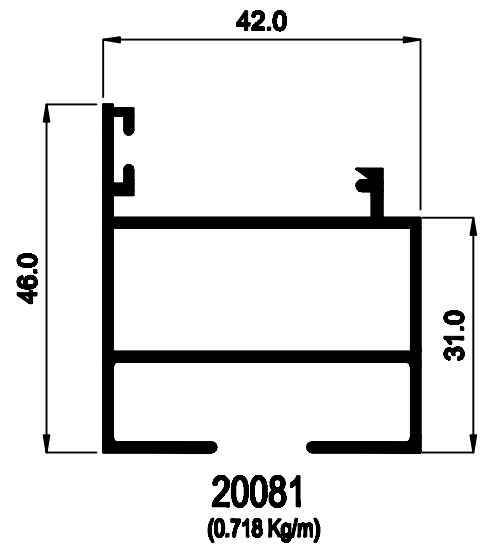
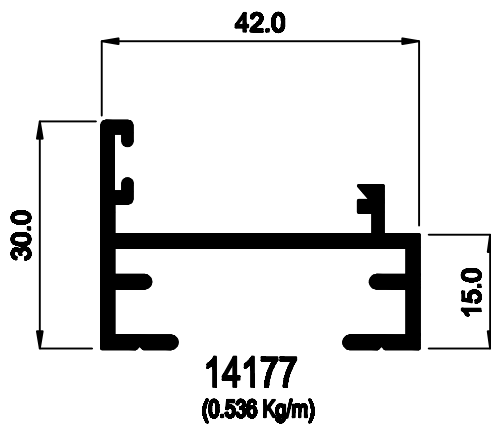
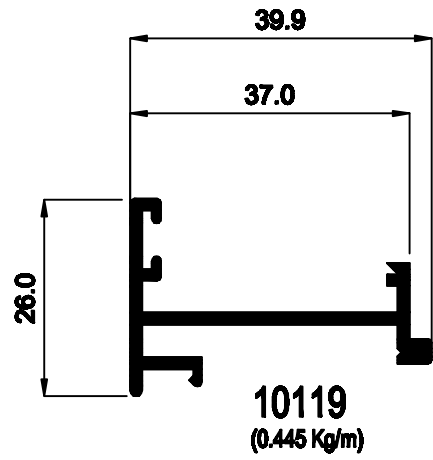
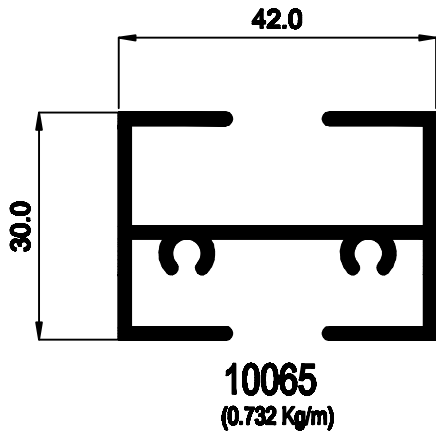
HINGED DOORS & WINDOWS - 42 mm



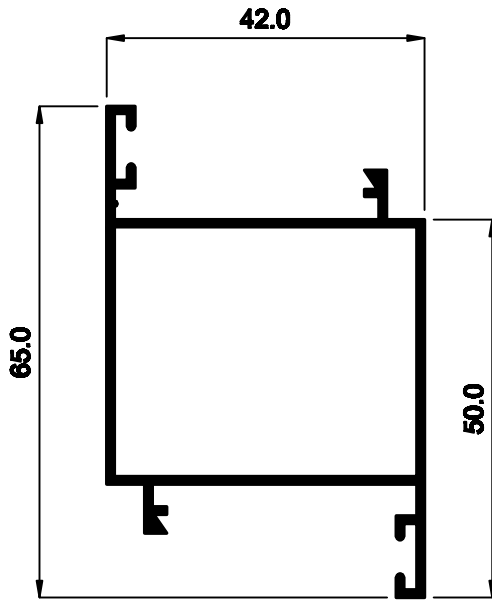
HINGED DOORS & WINDOWS - 42 mm



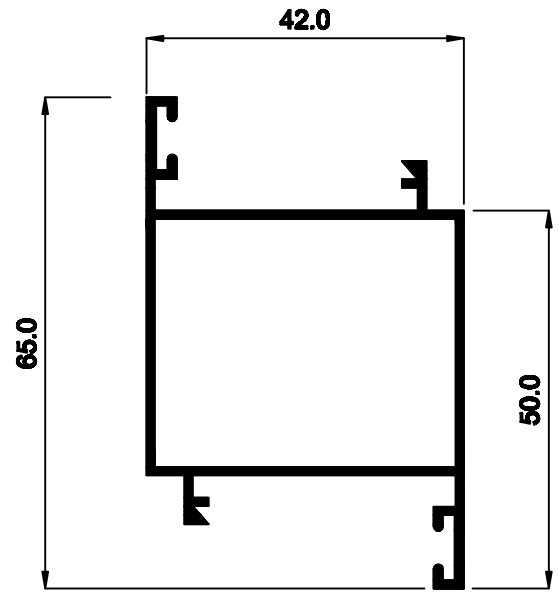
HINGED DOORS & WINDOWS - 42 mm



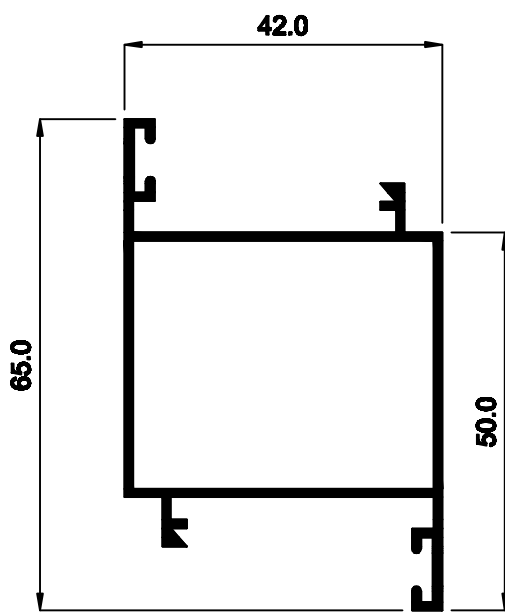
HINGED DOORS & WINDOWS - 42 mm



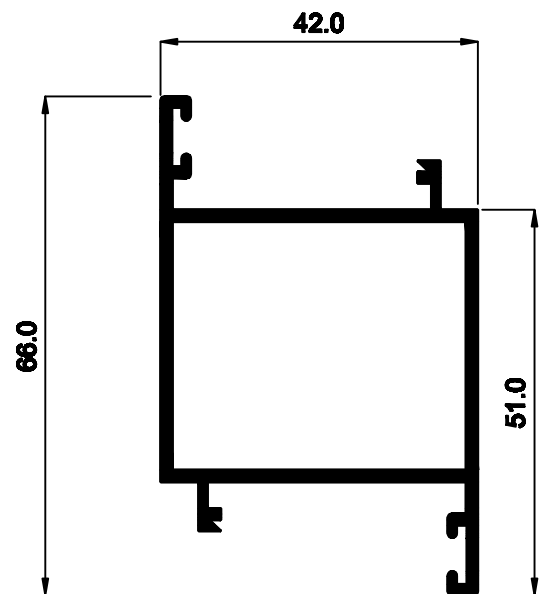
60006
(0.550 Kg/m)



23556
(0.665 Kg/m)

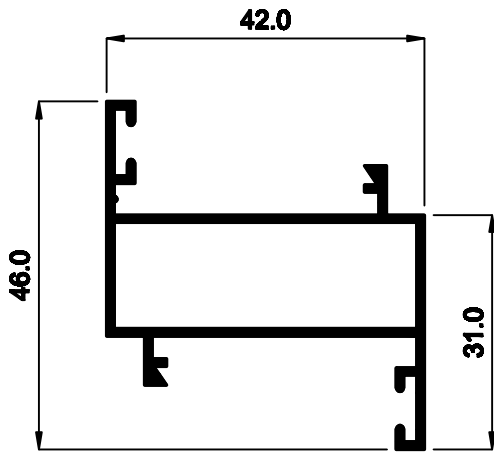


22180
(0.665 Kg/m)

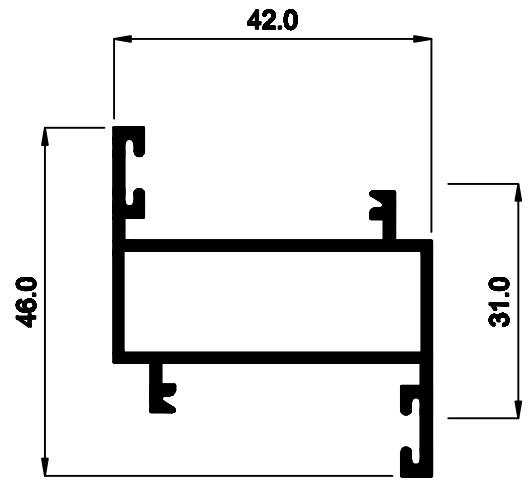


20054
(0.917 Kg/m)

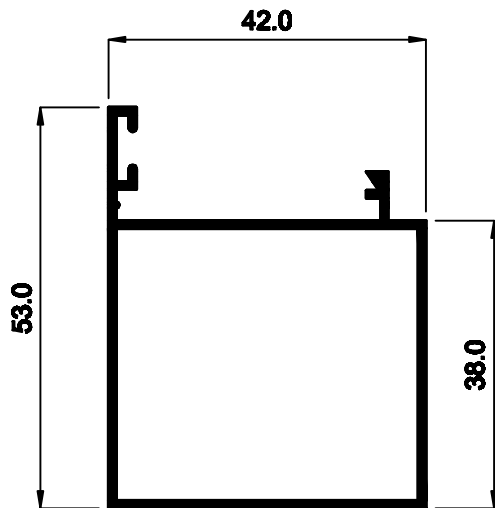
HINGED DOORS & WINDOWS - 42 mm



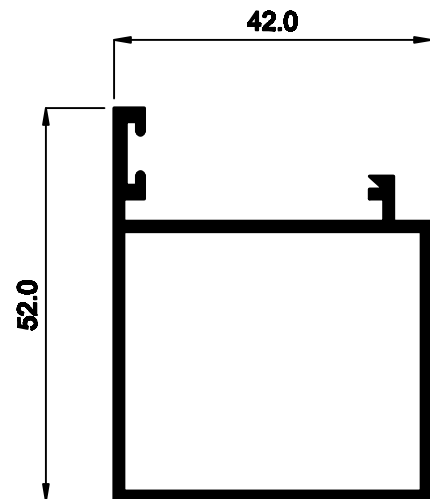
60007
(0.457 Kg/m)



21786
(0.598 Kg/m)

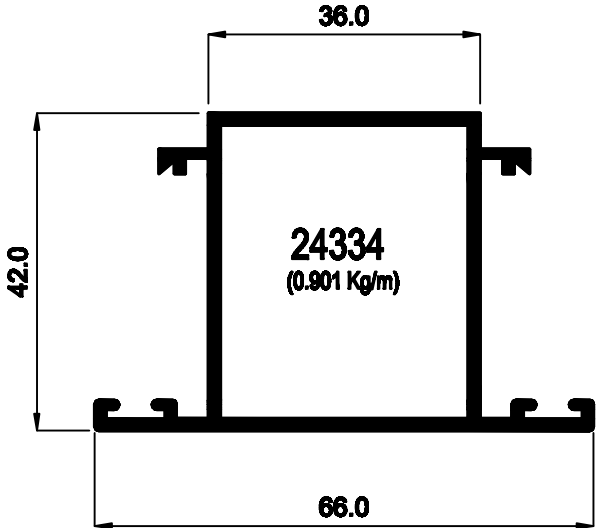
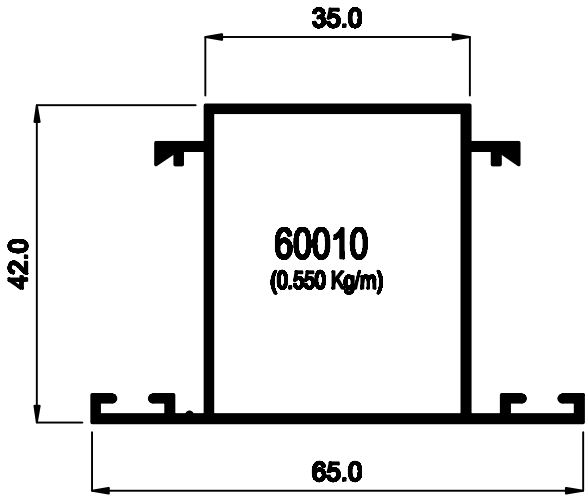
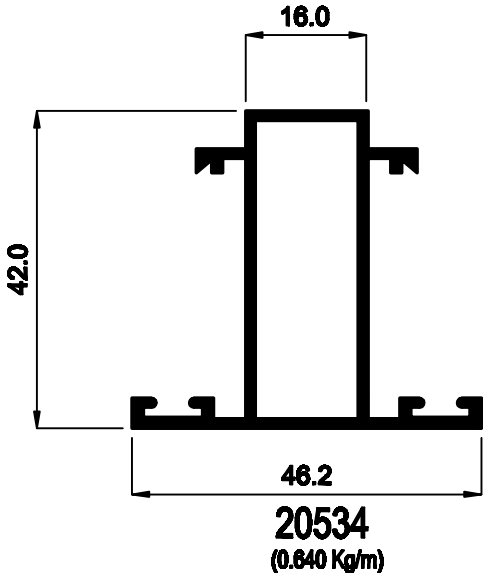
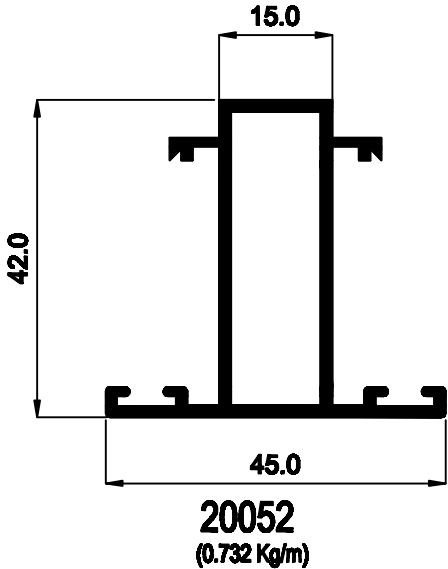
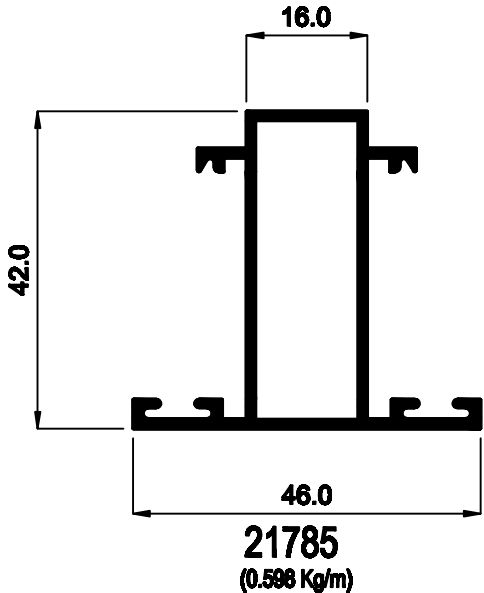
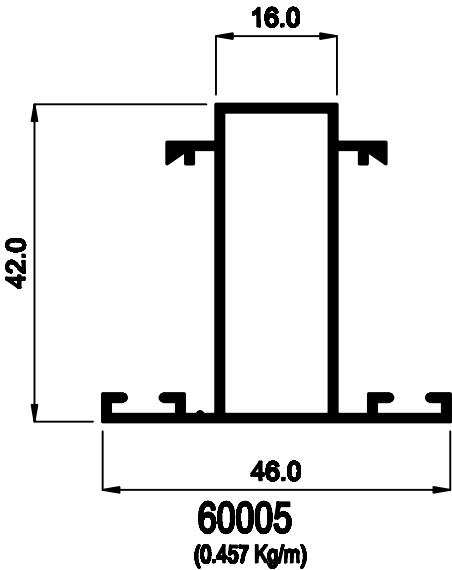


60009
(0.518 Kg/m)

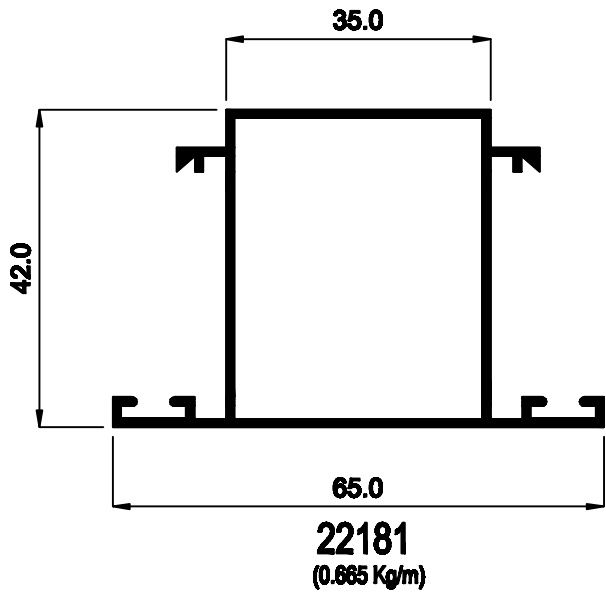
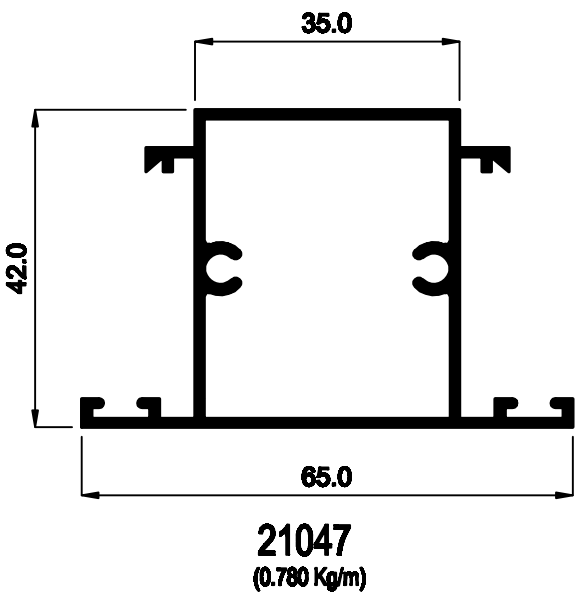
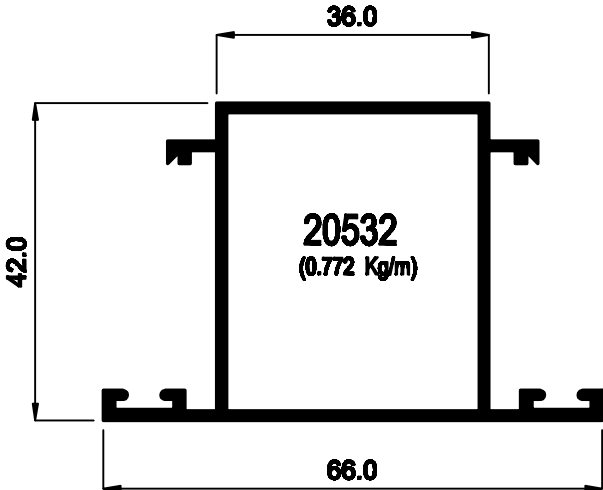
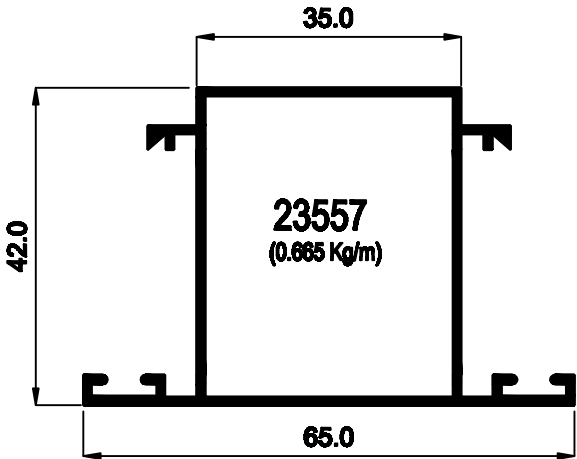


21111
(0.663 Kg/m)

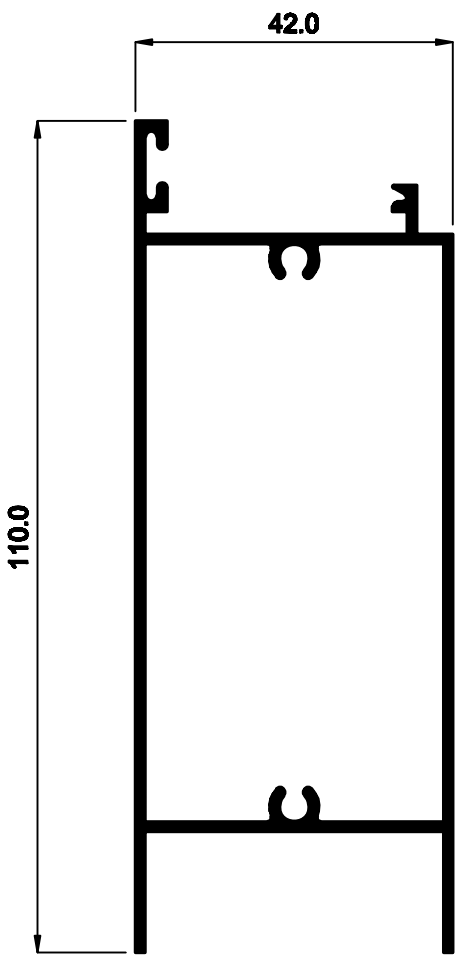
HINGED DOORS & WINDOWS - 42 mm



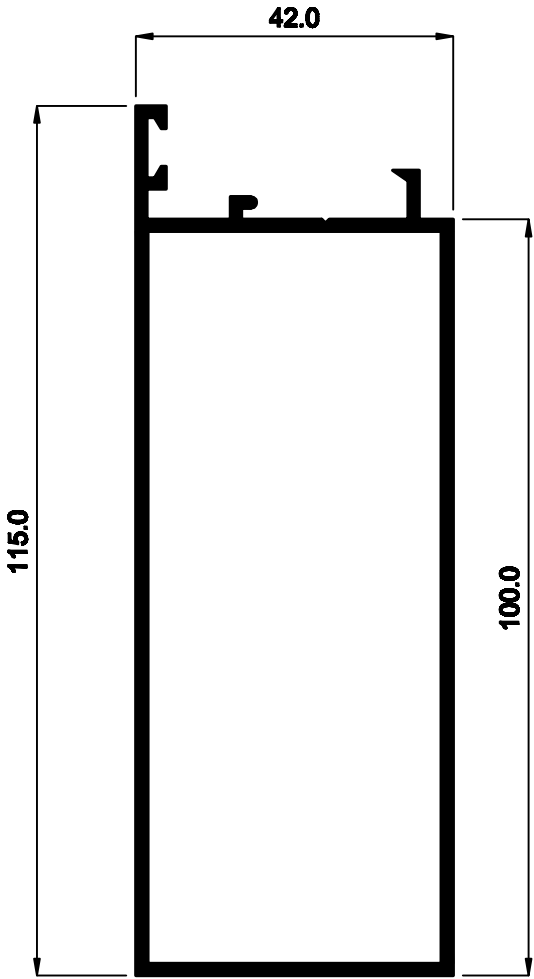
HINGED DOORS & WINDOWS - 42 mm



HINGED DOORS & WINDOWS - 42 mm

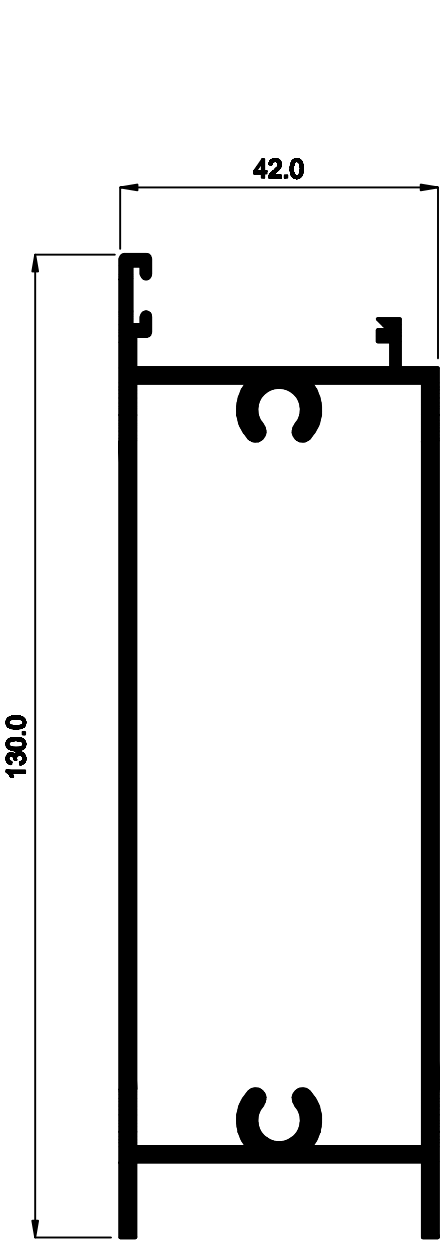


22185
(1.103 Kg/m)

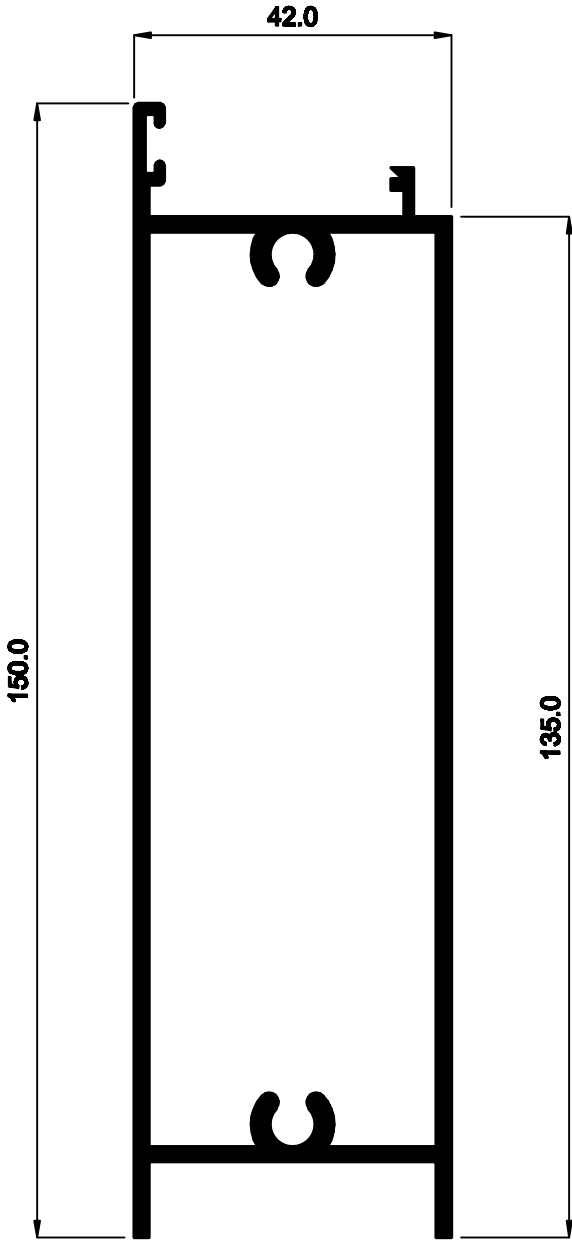


20760
(1.342 Kg/m)

HINGED DOORS & WINDOWS - 42 mm

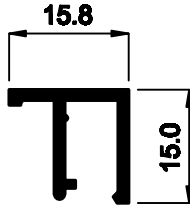


20063
(1.915 Kg/m)

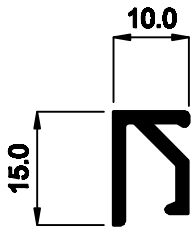


20824
(2.203 Kg/m)

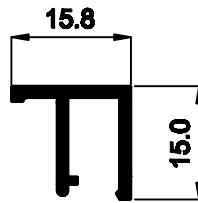
HINGED DOORS & WINDOWS - 42 mm



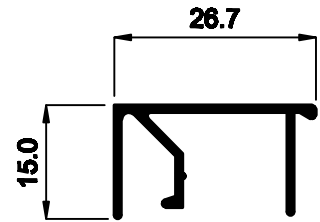
65007
(0.163 Kg/m)



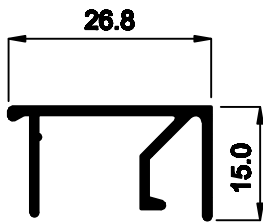
10187
(0.165 Kg/m)



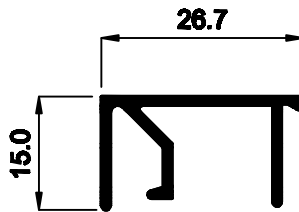
10059
(0.177 Kg/m)



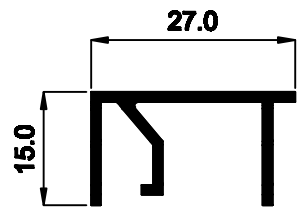
14183
(0.178 Kg/m)



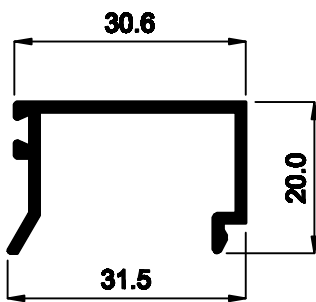
65005
(0.198 Kg/m)



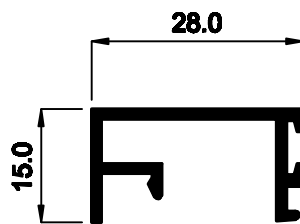
11900
(0.221 Kg/m)



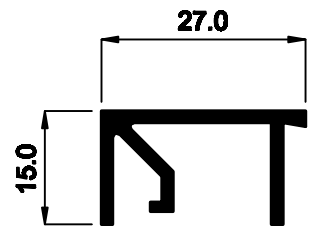
10089
(0.246 Kg/m)



10245
(0.252 Kg/m)

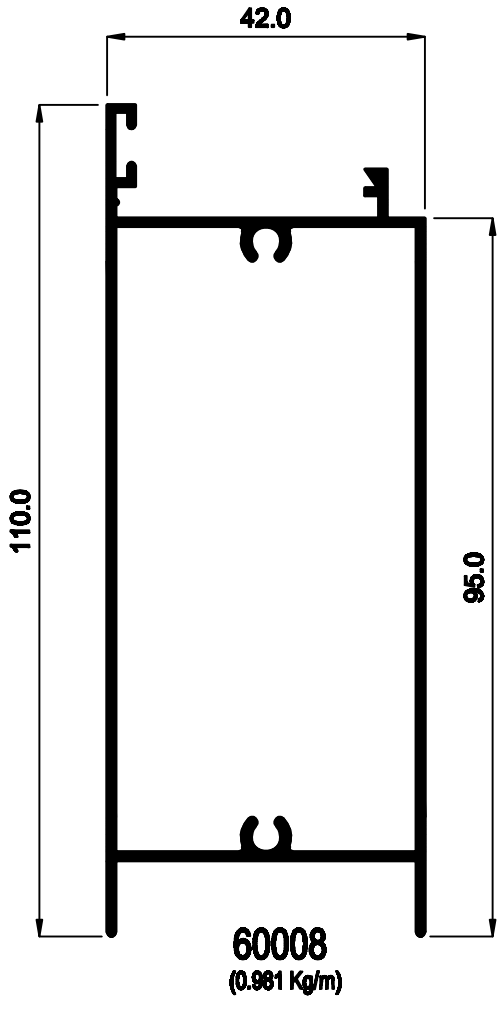
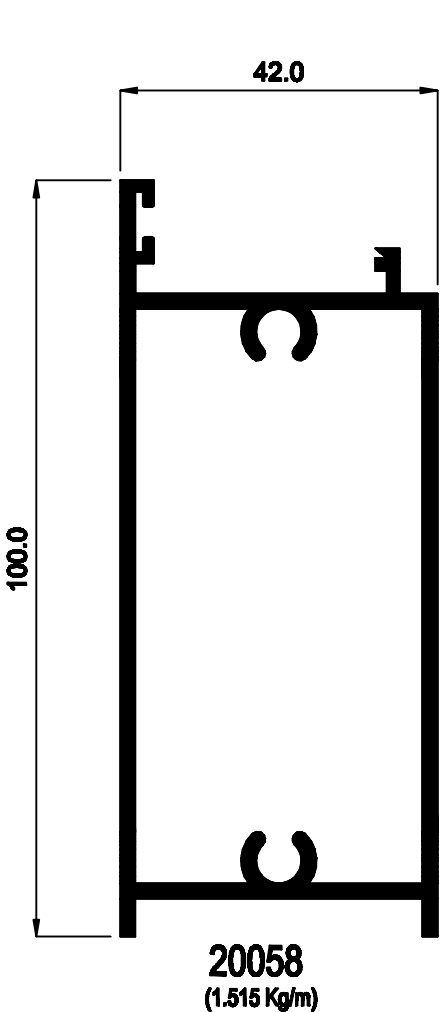


10415
(0.257 Kg/m)

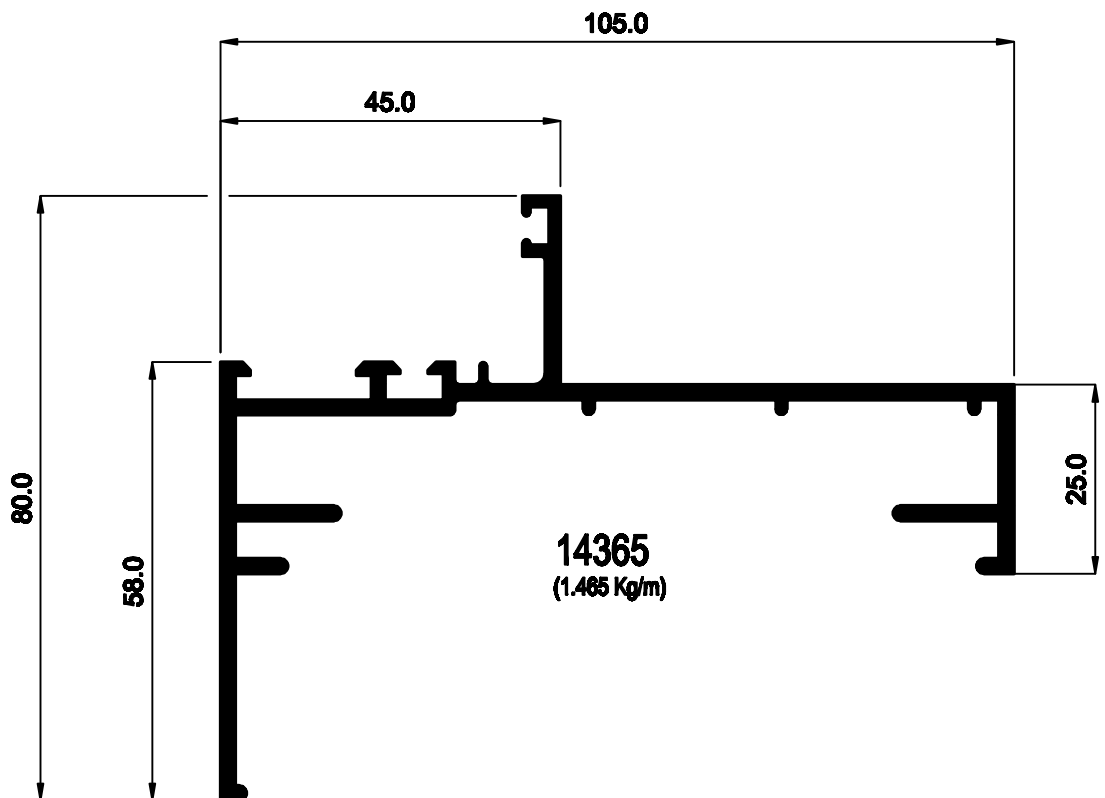
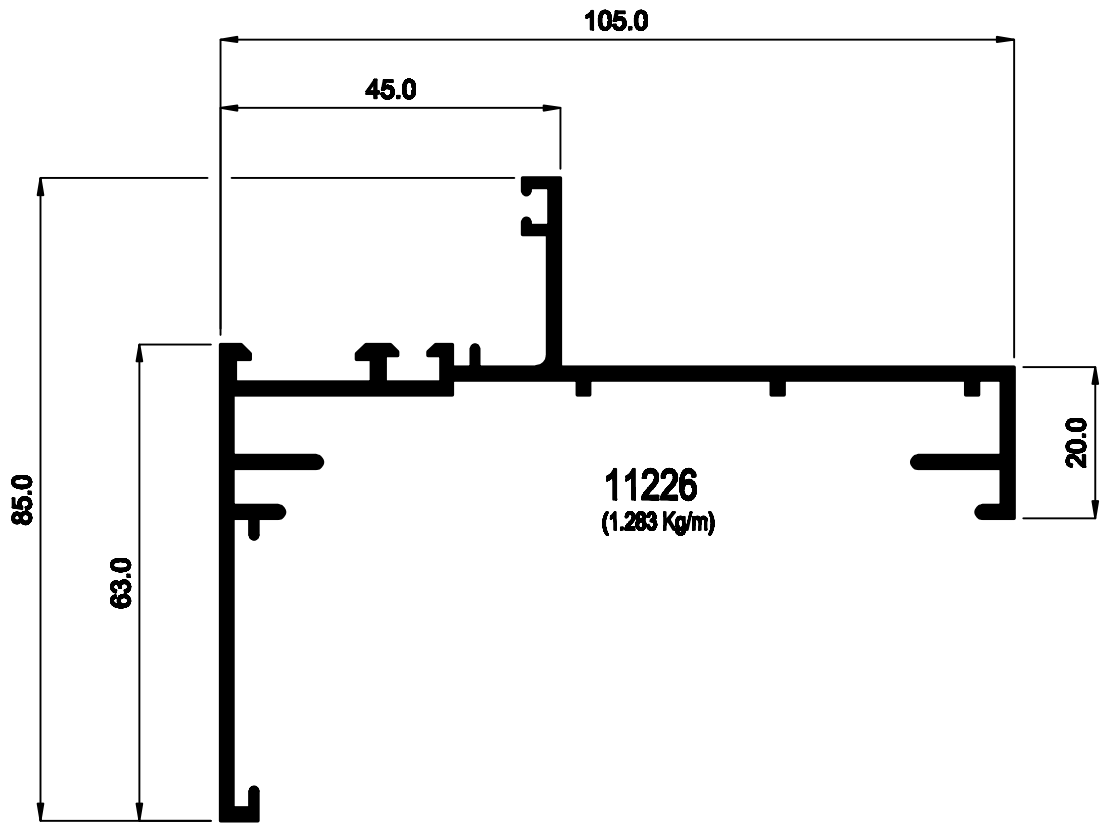


10058
(0.284 Kg/m)

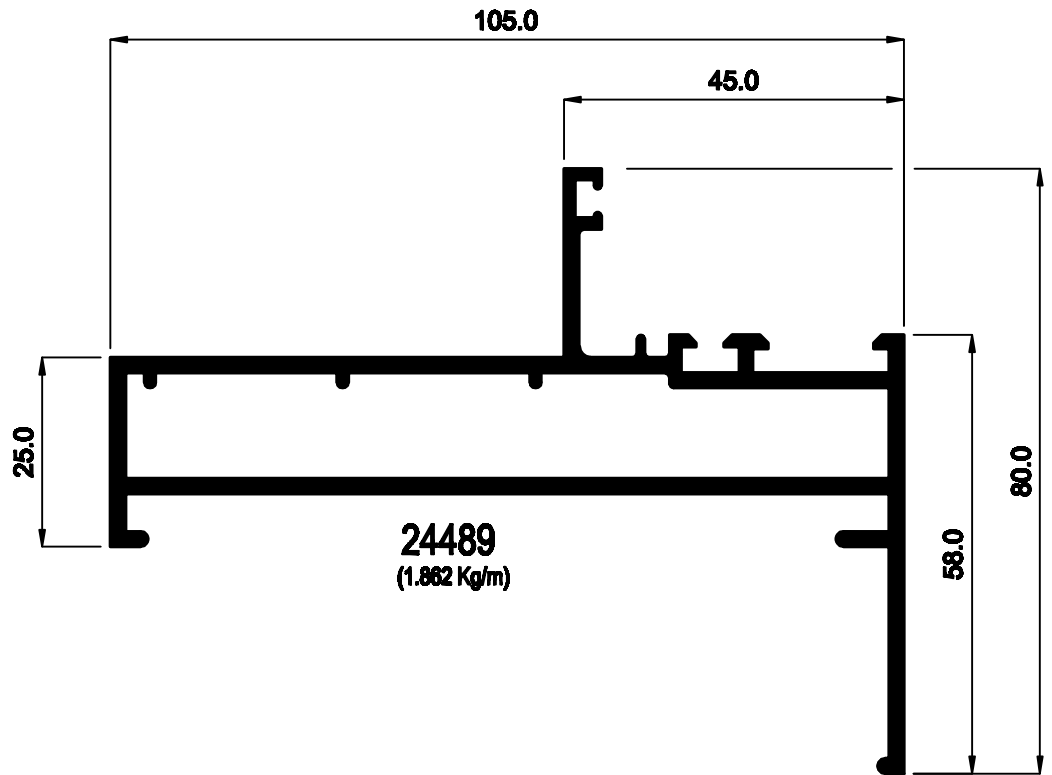
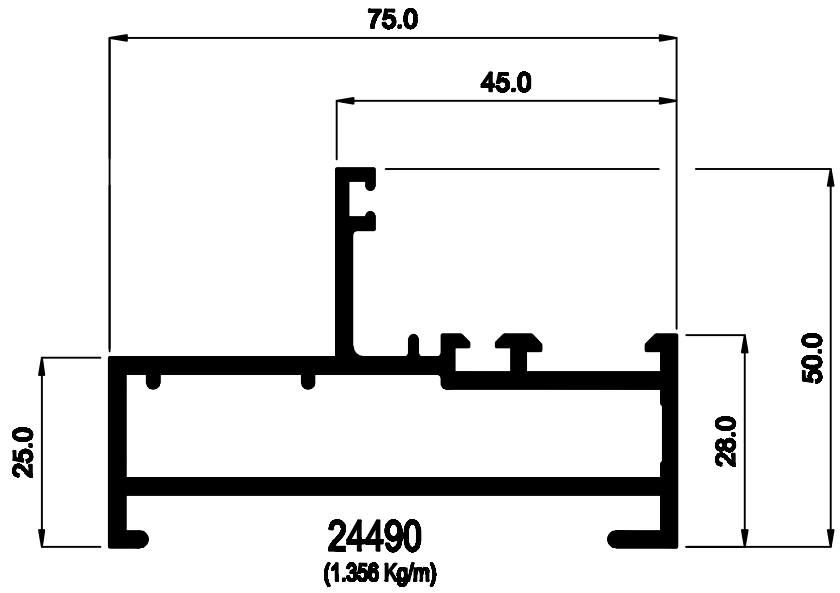
HINGED DOORS & WINDOWS - 42 mm



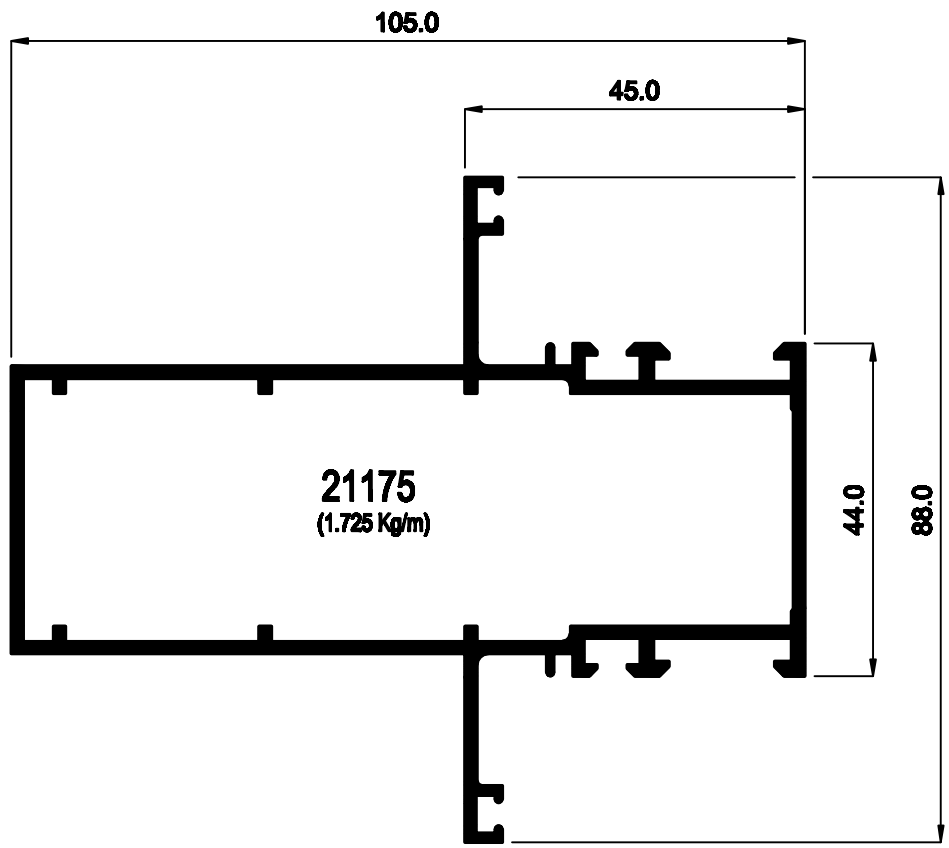
HINGED DOORS & WINDOWS - 45 mm



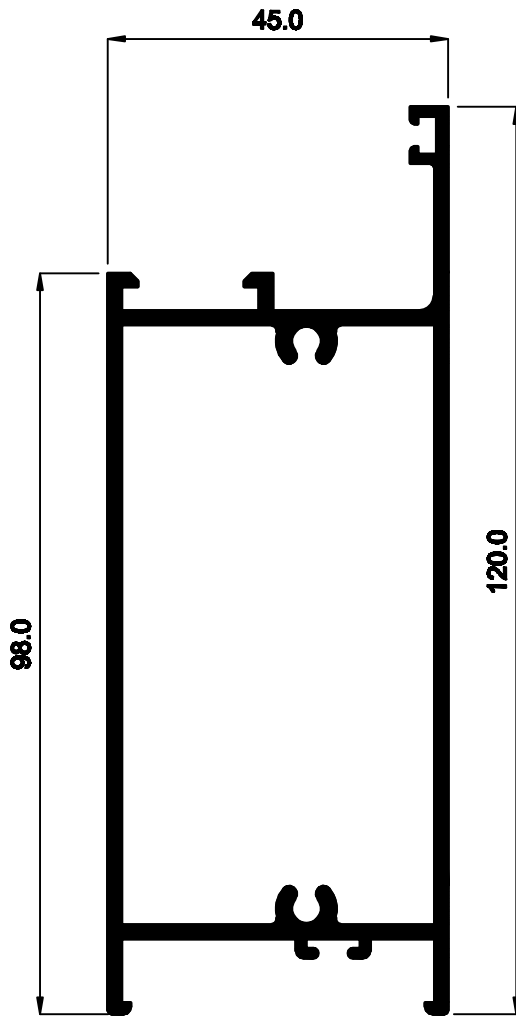
HINGED DOORS & WINDOWS - 45 mm



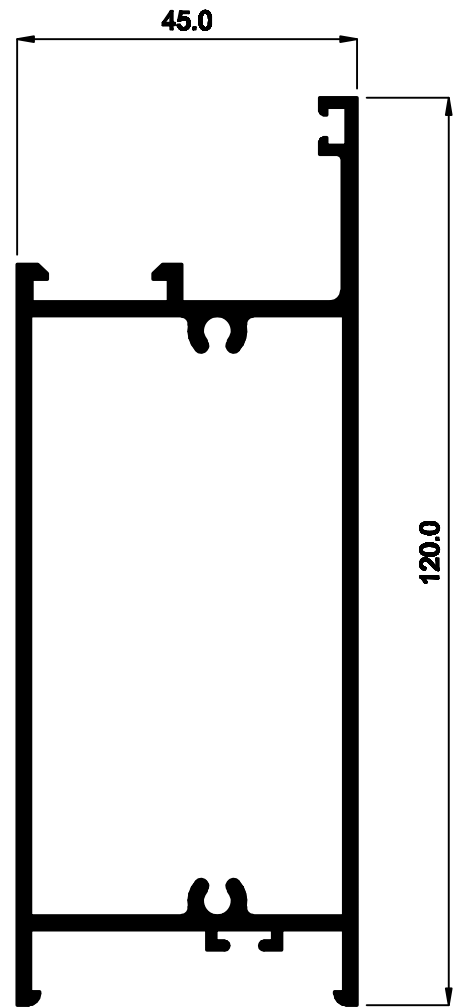
HINGED DOORS & WINDOWS - 45 mm



HINGED DOORS & WINDOWS - 45 mm

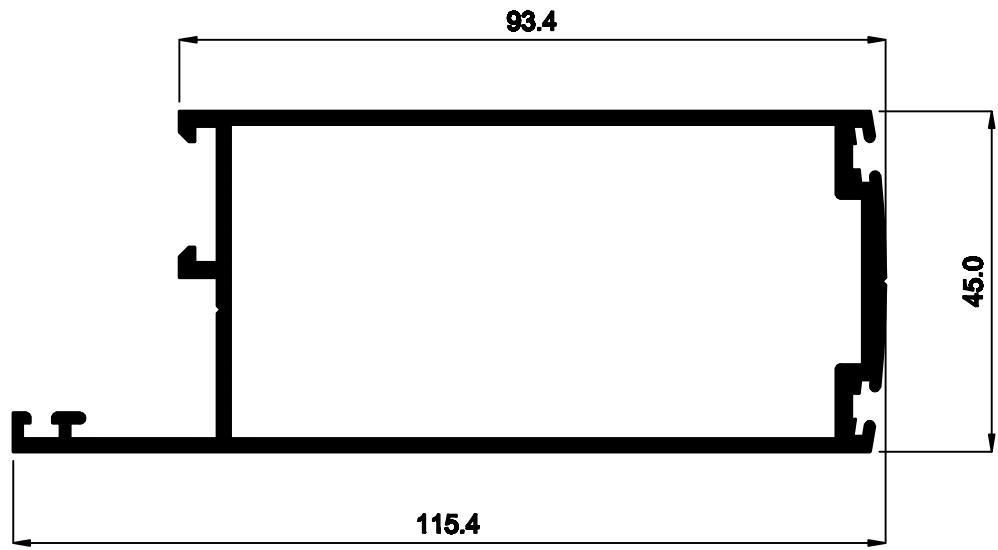


24492
(1.687 Kg/m)

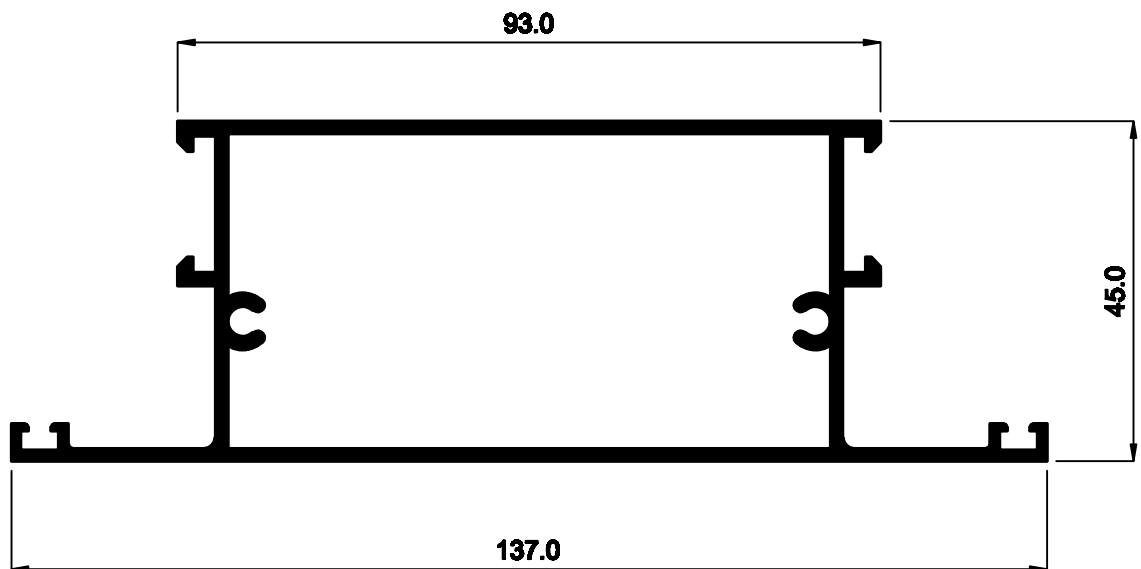


21181
(1.682 Kg/m)

HINGED DOORS & WINDOWS - 45 mm

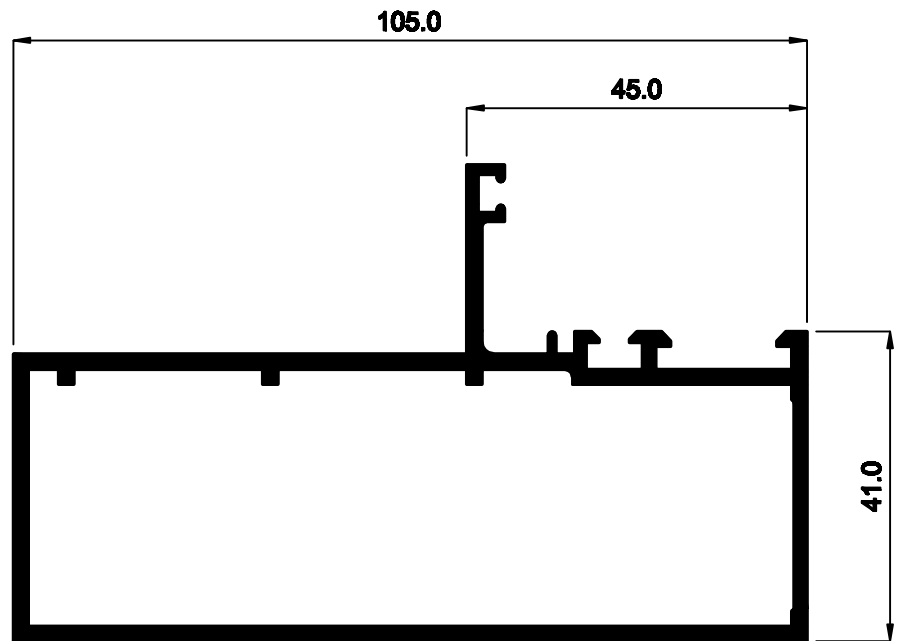


22012
(1.715 Kg/m)

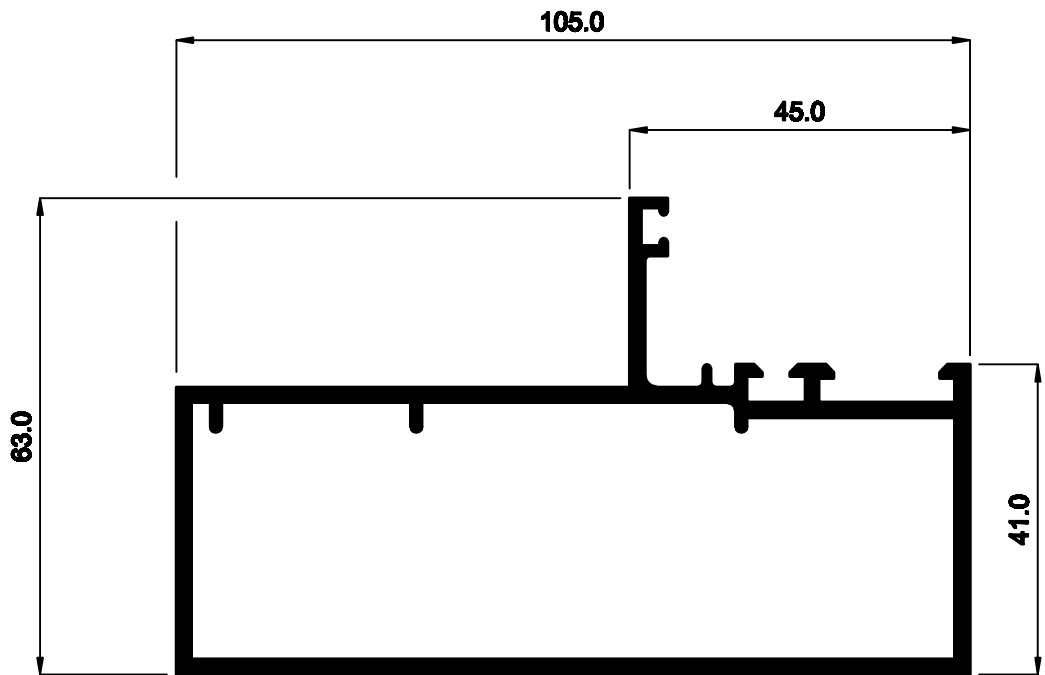


21173
(1.642 Kg/m)

HINGED DOORS & WINDOWS - 45 mm

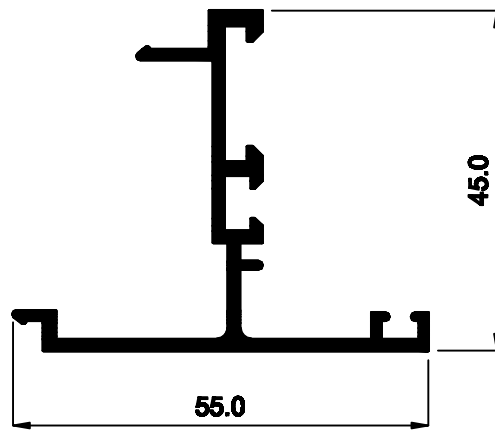


21174
(1.765 Kg/m)

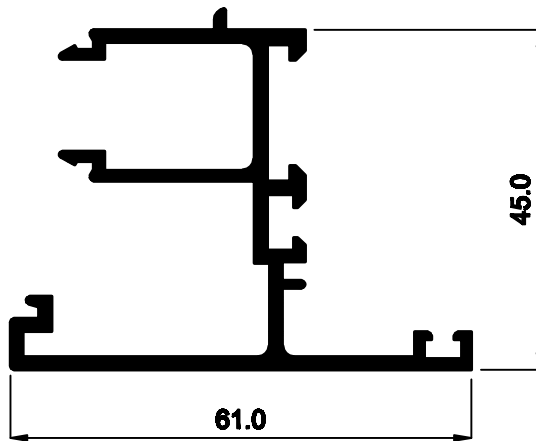


24491
(1.787 Kg/m)

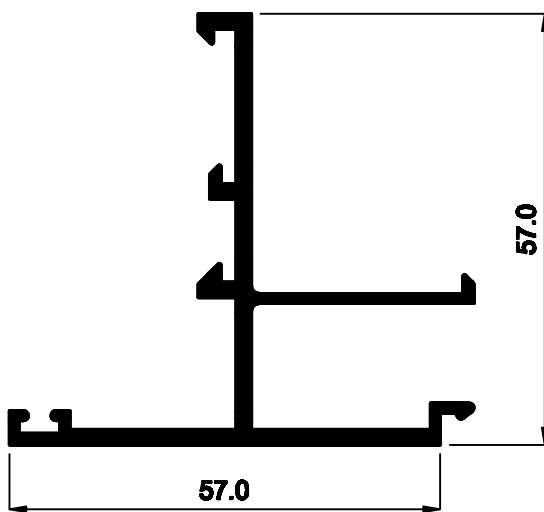
HINGED DOORS & WINDOWS - 45 mm



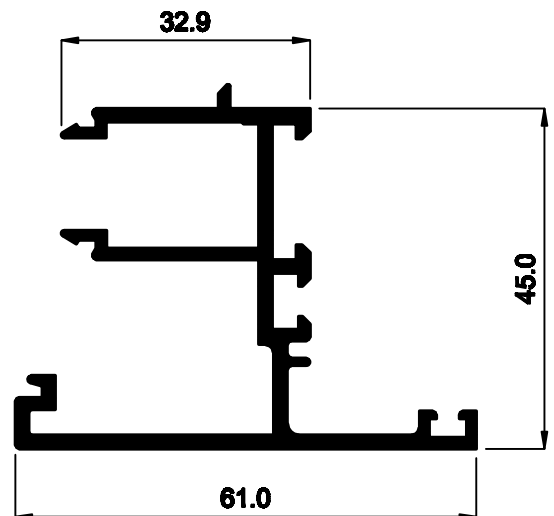
12165
(0.596 Kg/m)



11223
(0.917 Kg/m)

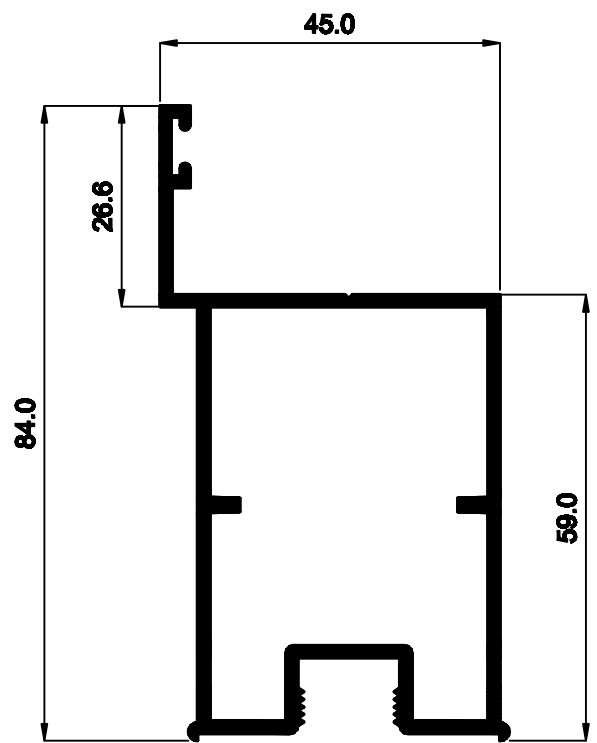
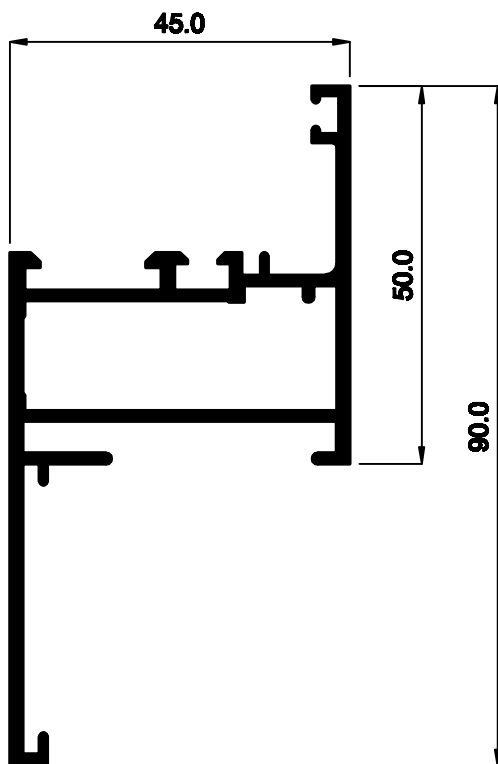
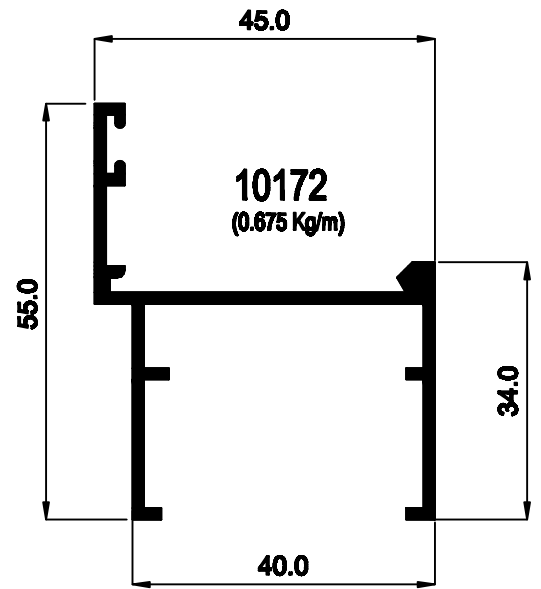
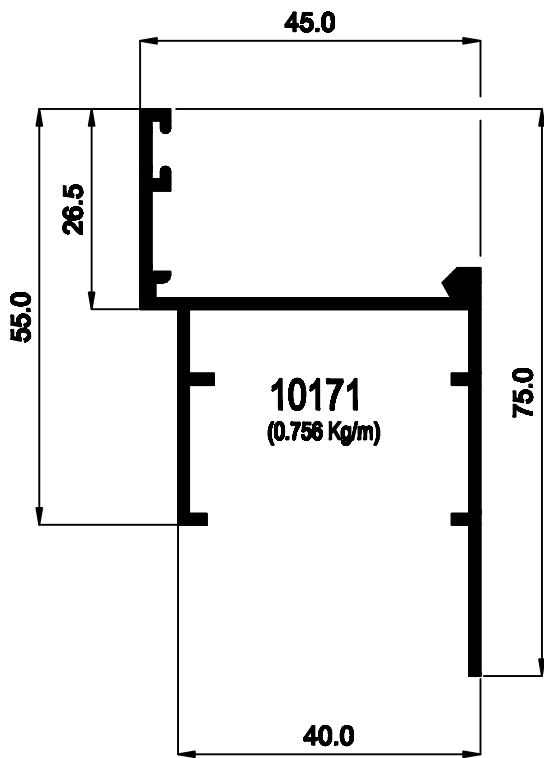


14163
(0.863 Kg/m)



14364
(0.954Kg/m)

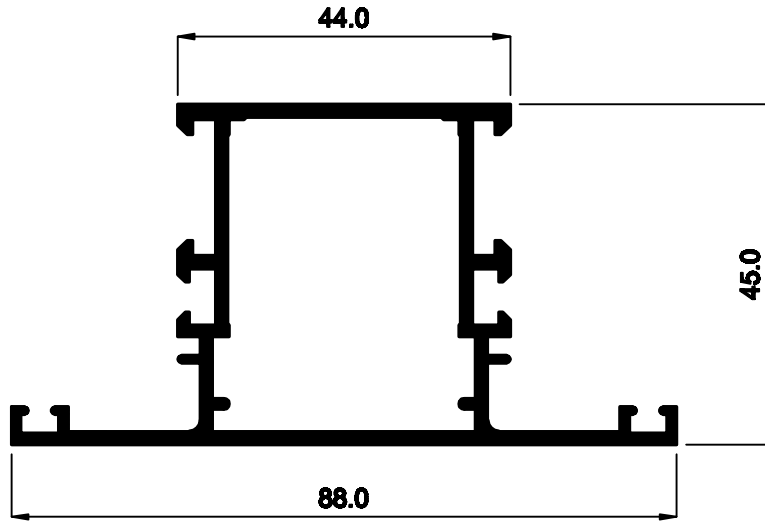
HINGED DOORS & WINDOWS - 45 mm



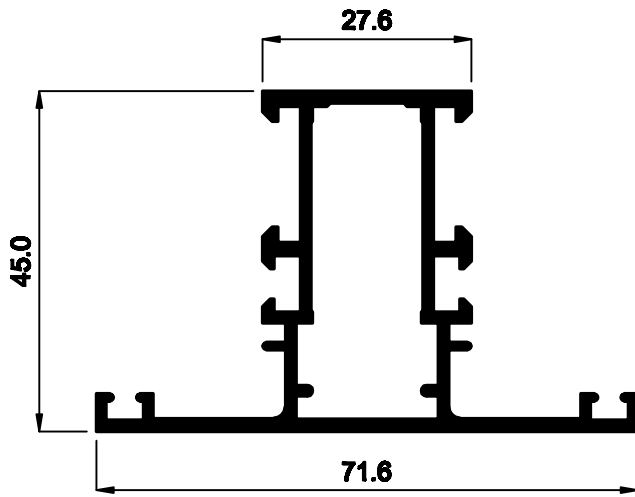
21171
(1.073 Kg/m)

20401
(1.104 Kg/m)

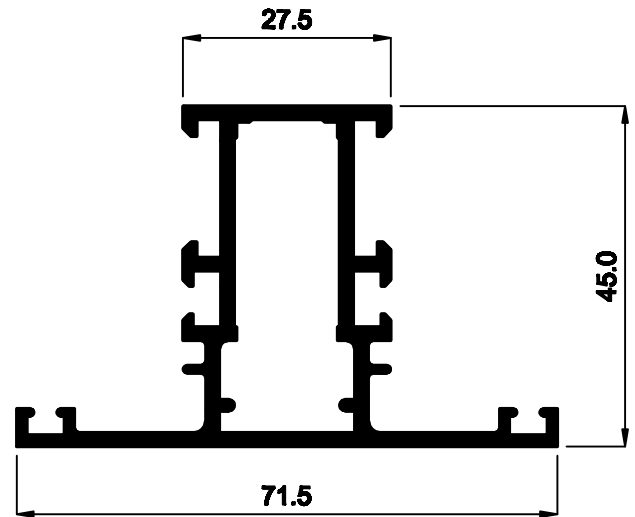
HINGED DOORS & WINDOWS - 45 mm



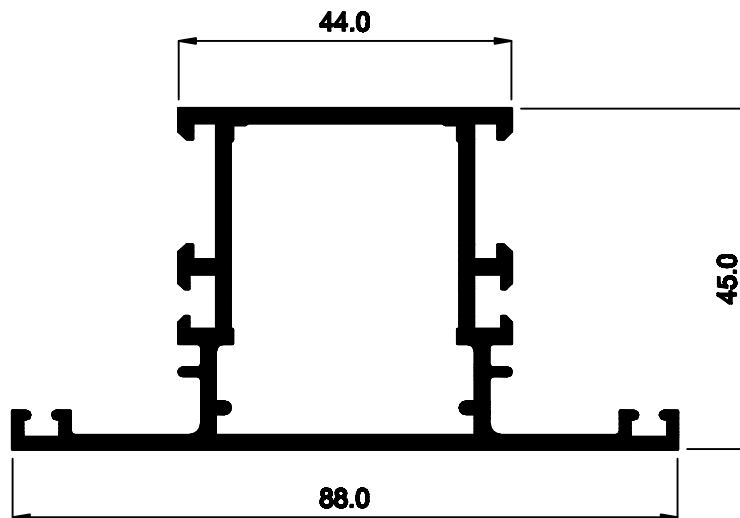
22409
(1.210 Kg/m)



21179
(1.006 Kg/m)

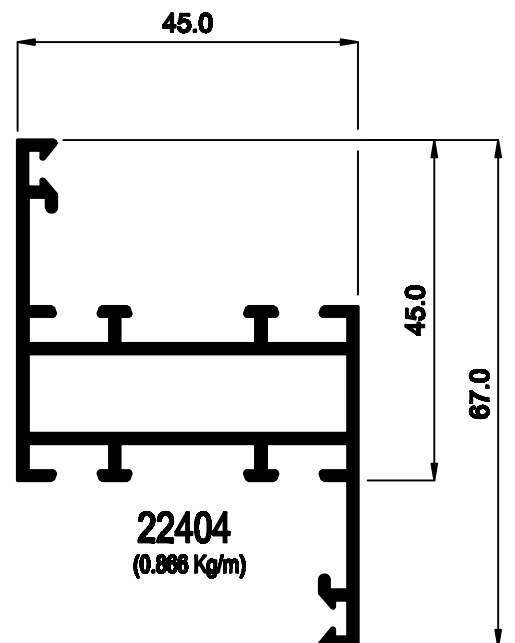
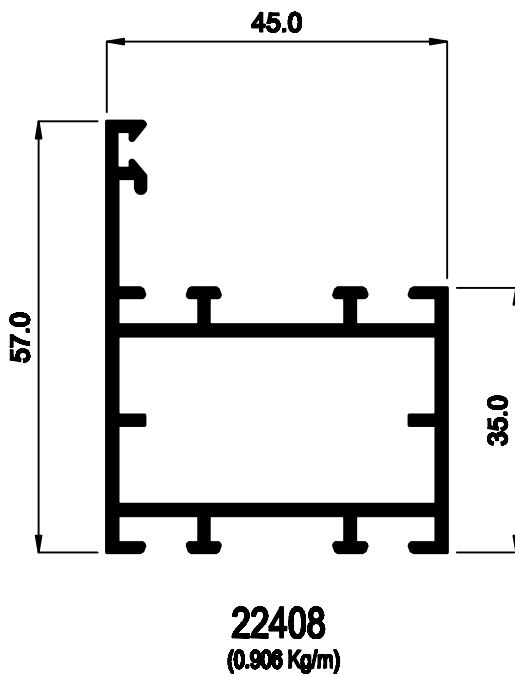
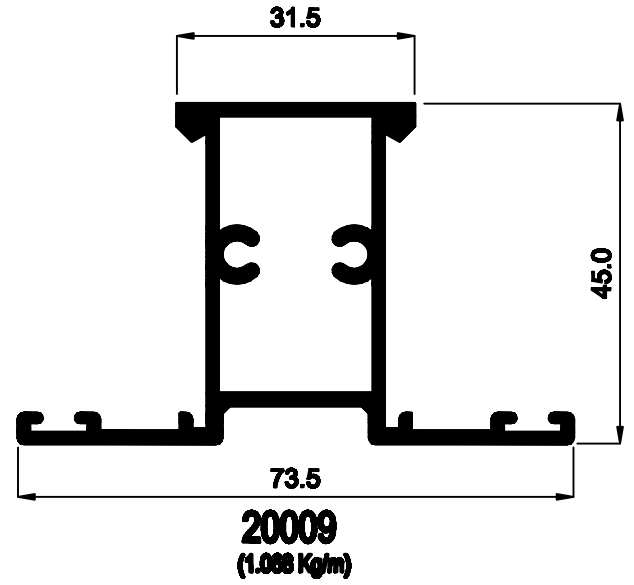
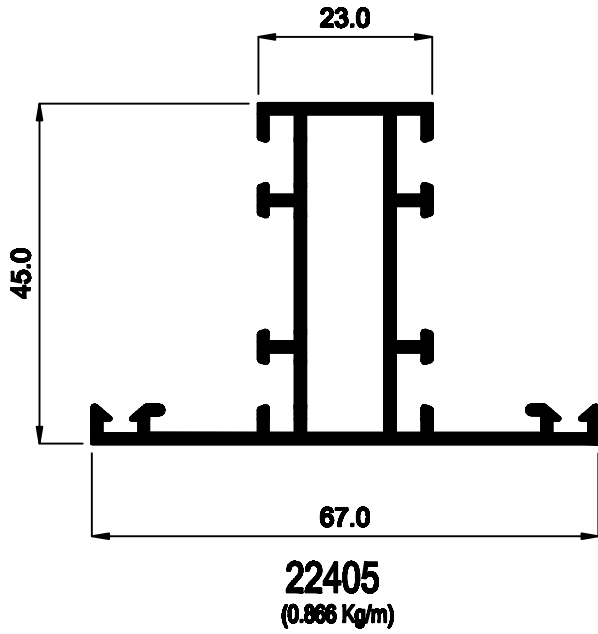


24485
(1.130 Kg/m)

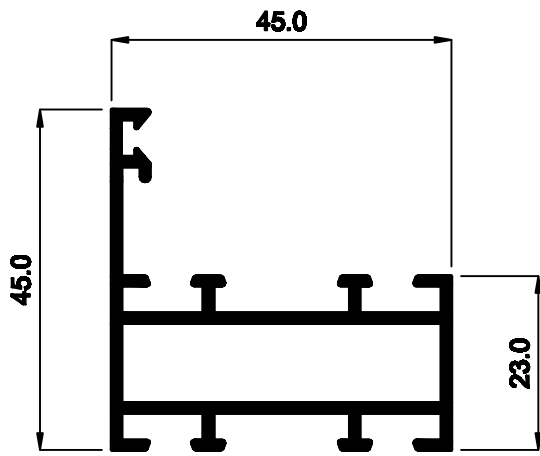


24484
(1.291 Kg/m)

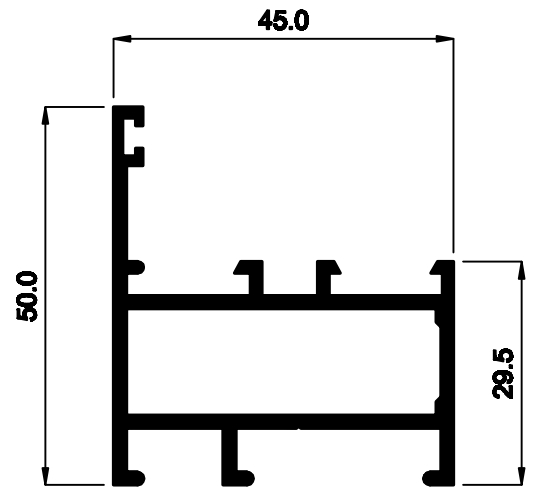
HINGED DOORS & WINDOWS - 45 mm



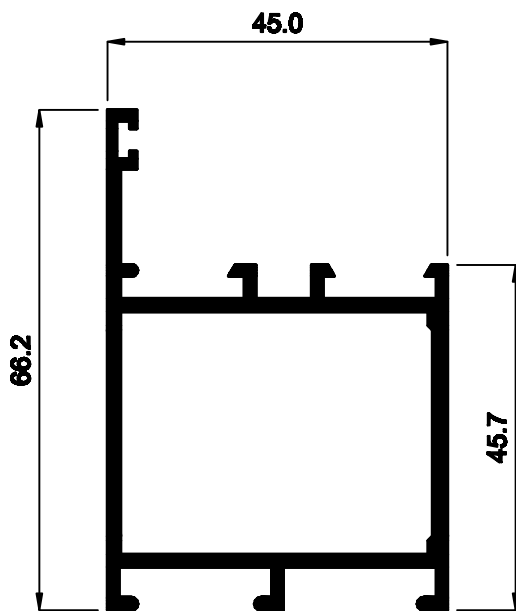
HINGED DOORS & WINDOWS - 45 mm



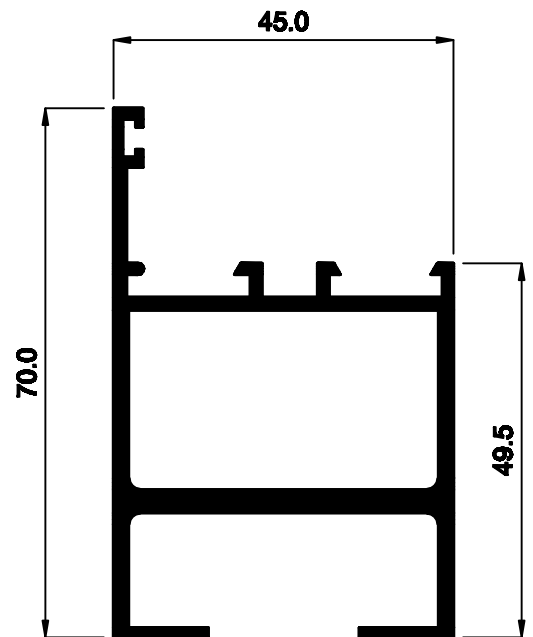
22406
(0.751 Kg/m)



20962
(0.890 Kg/m)

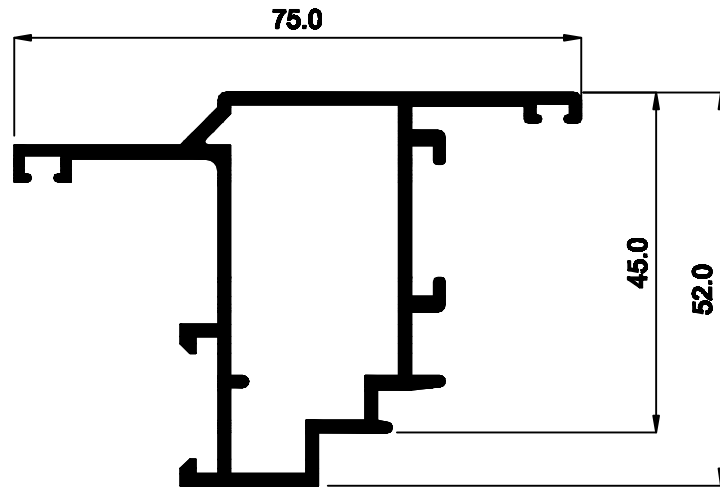


20963
(1.050 Kg/m)

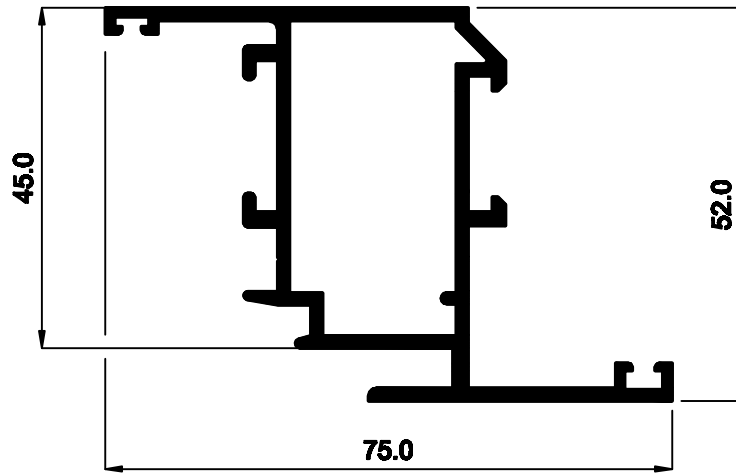


20966
(1.294 Kg/m)

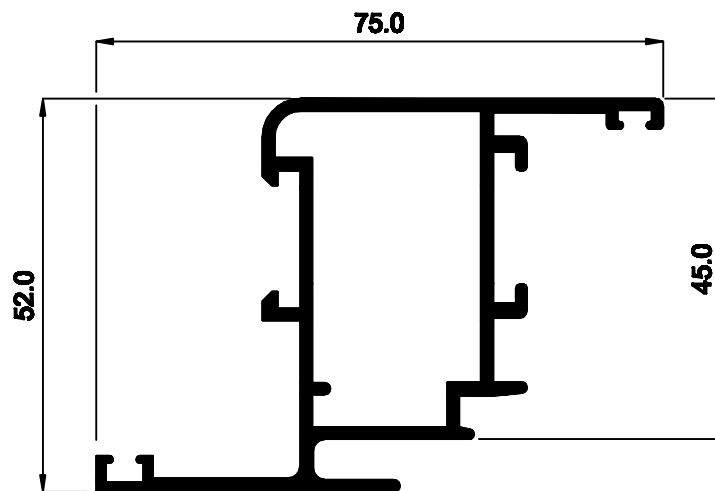
HINGED DOORS & WINDOWS - 45 mm



21924
(1.095 Kg/m)

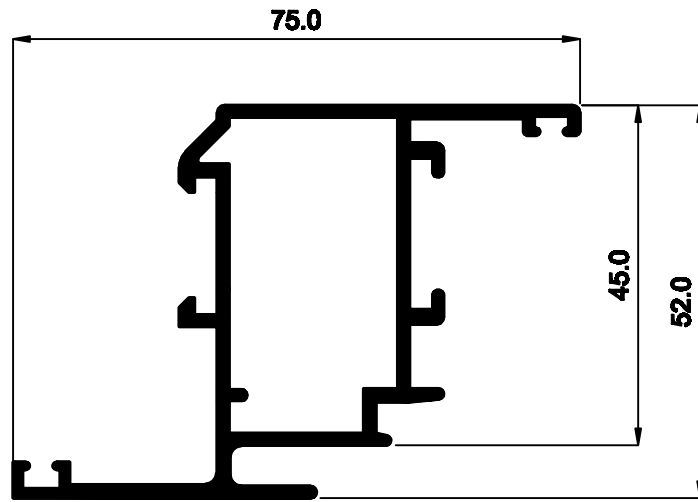


24487
(1.109 Kg/m)

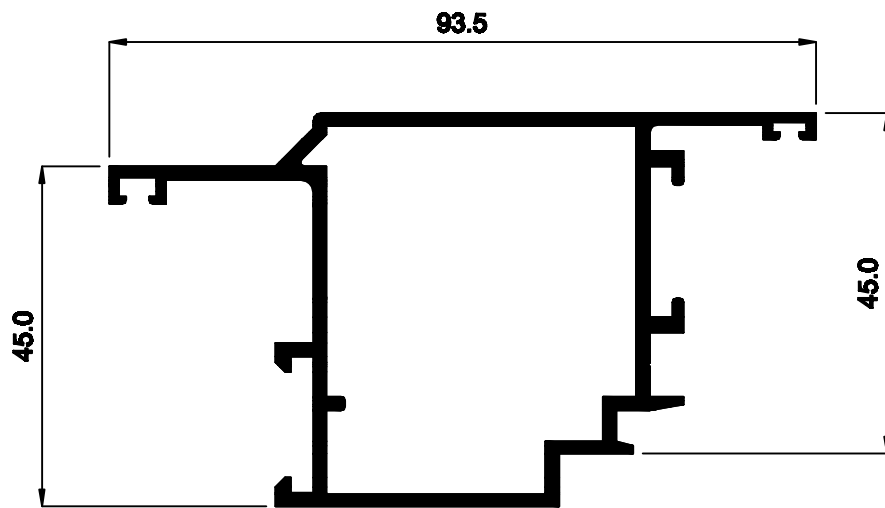


22014
(1.123 Kg/m)

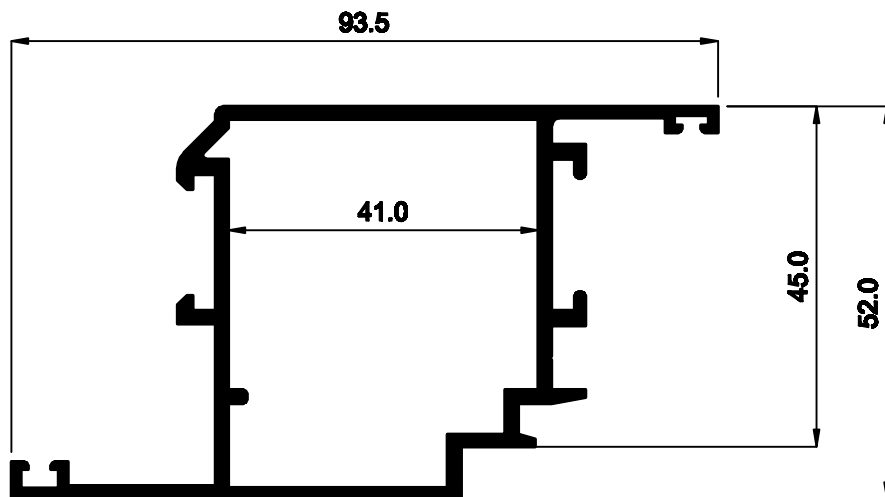
HINGED DOORS & WINDOWS - 45 mm



21178
(1.120 Kg/m)

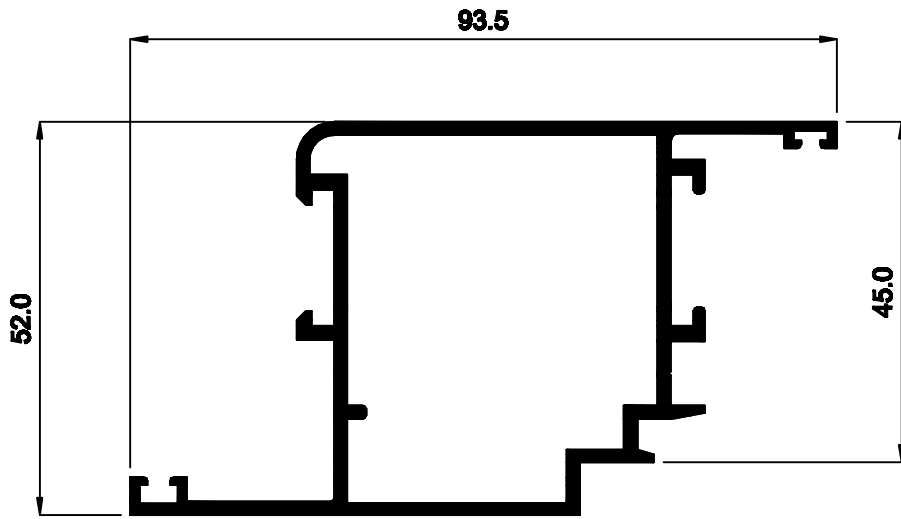


21865
(1.300 Kg/m)

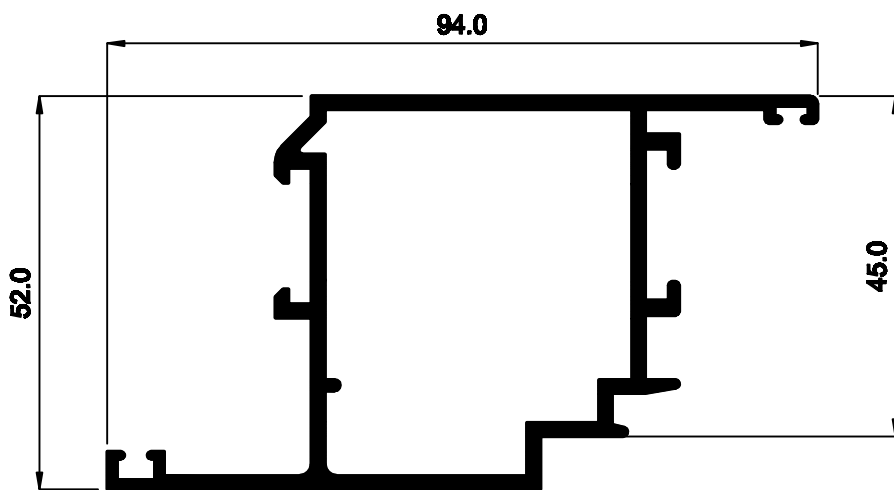


21180
(1.301 Kg/m)

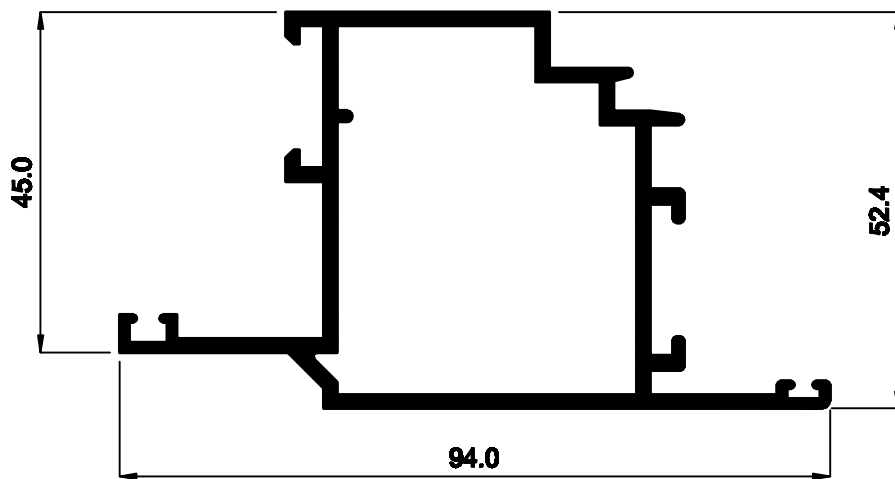
HINGED DOORS & WINDOWS - 45 mm



22013
(1.306 Kg/m)

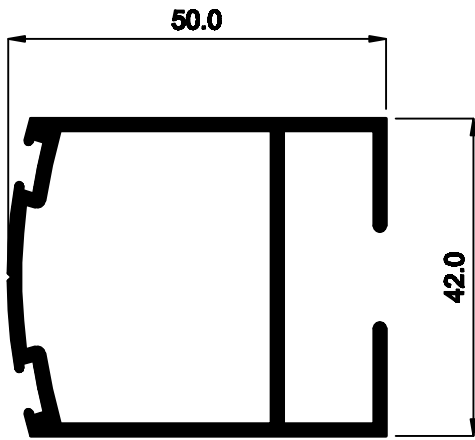


24486
(1.348 Kg/m)

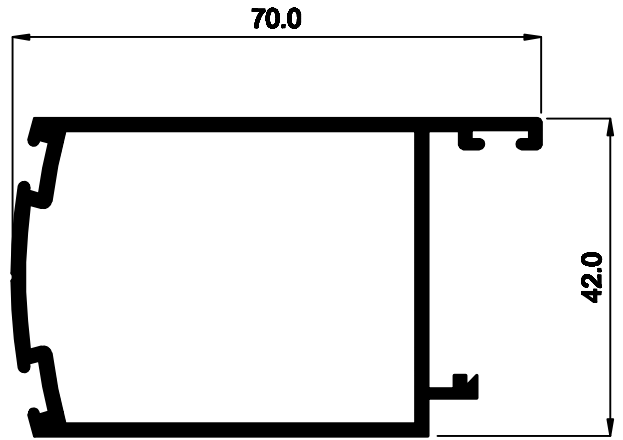


24488
(1.354 Kg/m)

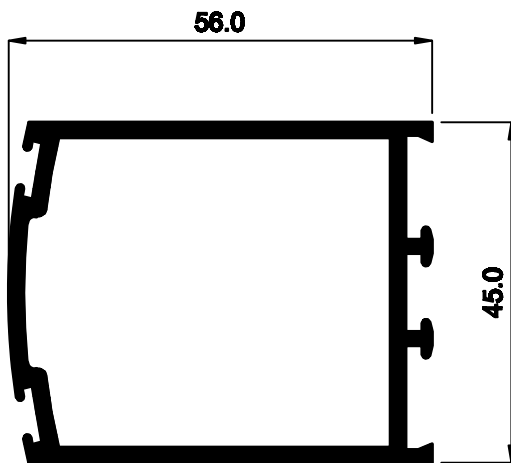
HINGED DOORS & WINDOWS - 45 mm



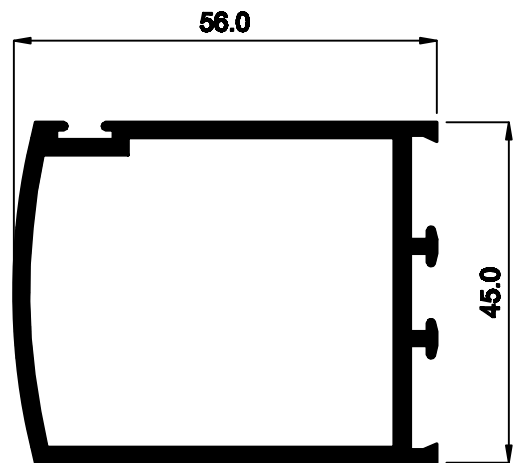
20060
(0.914 Kg/m)



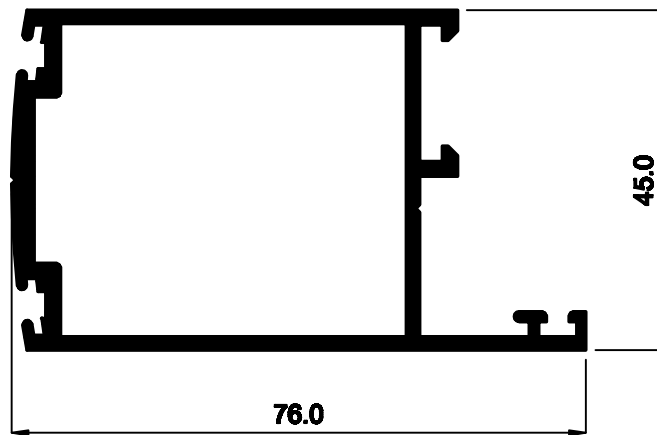
20056
(1.052 Kg/m)



20901
(1.127 Kg/m)

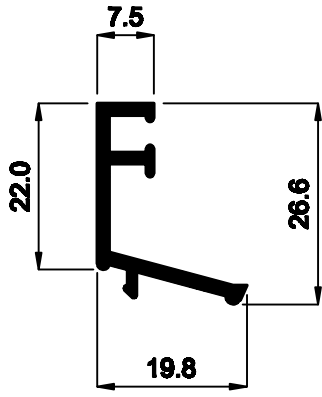


20894
(1.124 Kg/m)

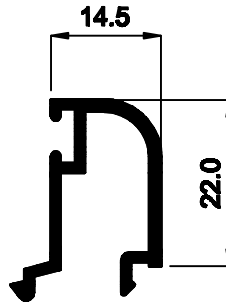


21177
(1.275 Kg/m)

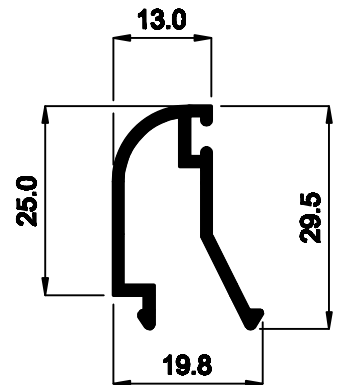
HINGED DOORS & WINDOWS - 45 mm



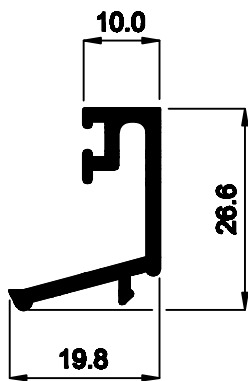
14366
(0.248 Kg/m)



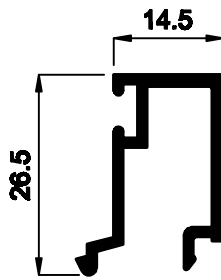
12214
(0.269 Kg/m)



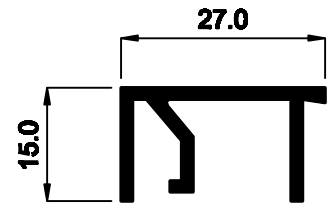
11975
(0.273 Kg/m)



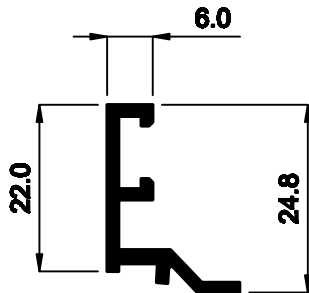
14367
(0.275 Kg/m)



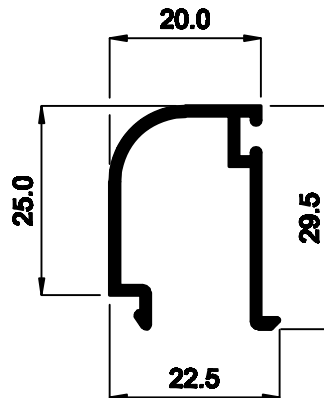
11219
(0.280 Kg/m)



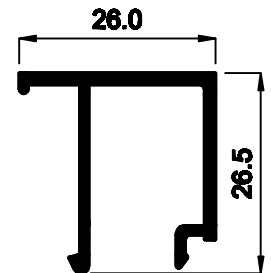
14174
(0.283 Kg/m)



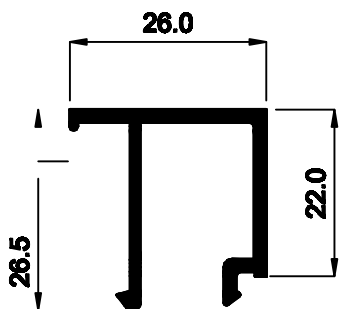
10223
(0.214 Kg/m)



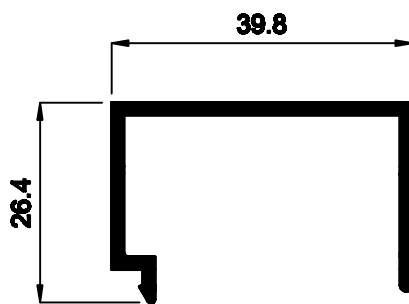
11976
(0.295 Kg/m)



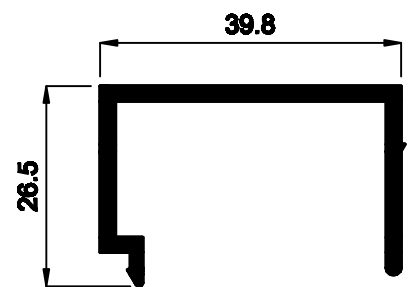
11218
(0.303 Kg/m)



14369
(0.332 Kg/m)

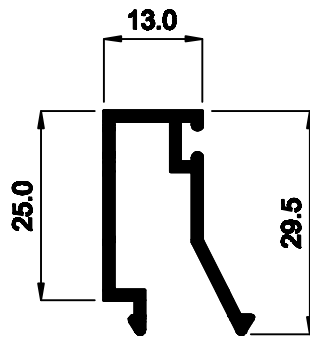


14368
(0.397 Kg/m)

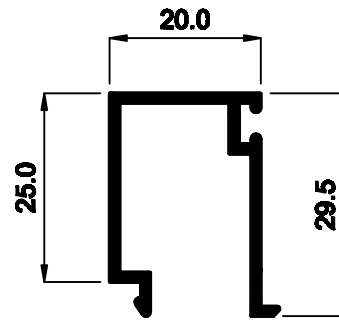


11224
(0.484 Kg/m)

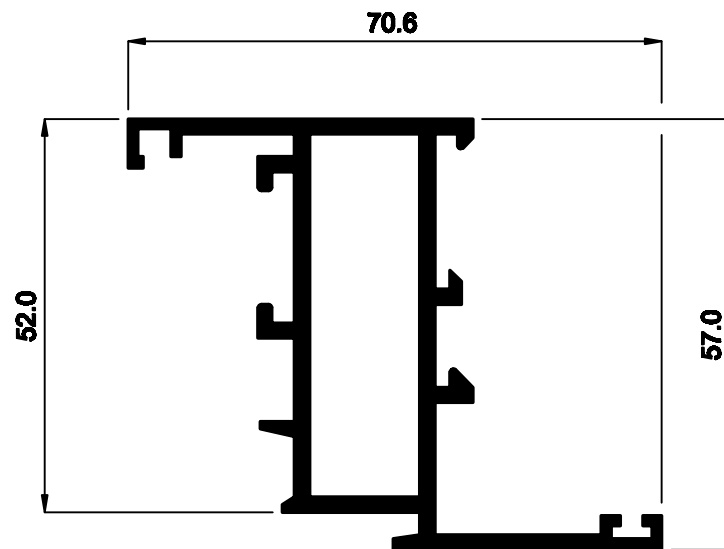
HINGED DOORS & WINDOWS - 50 mm



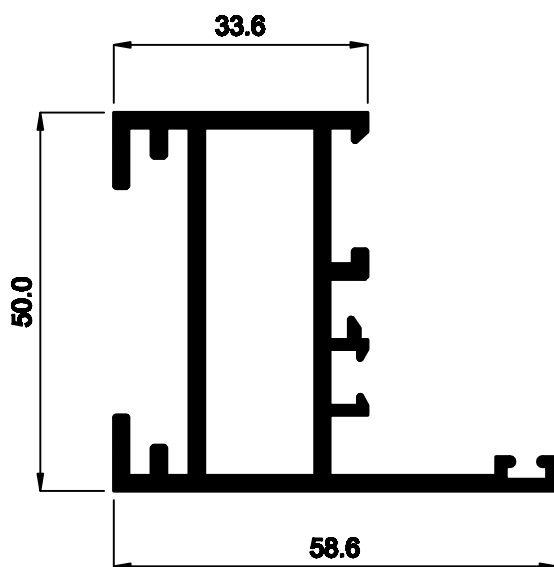
10140
(0.287 Kg/m)



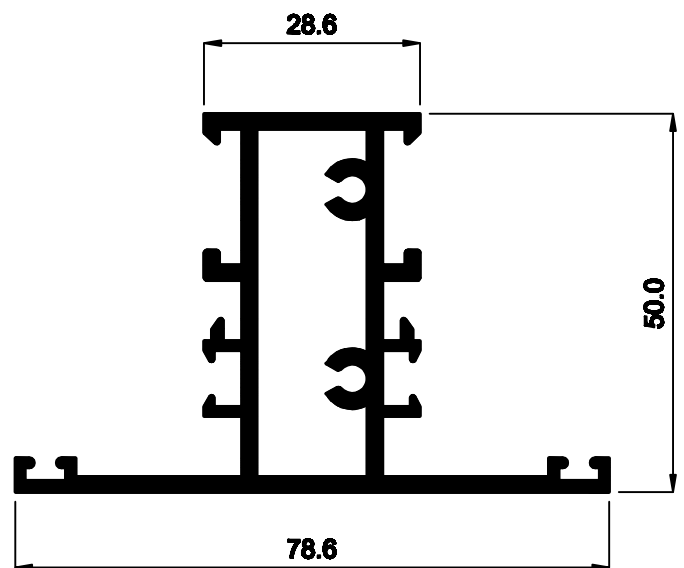
10142
(0.311 Kg/m)



20129
(1.277 Kg/m)

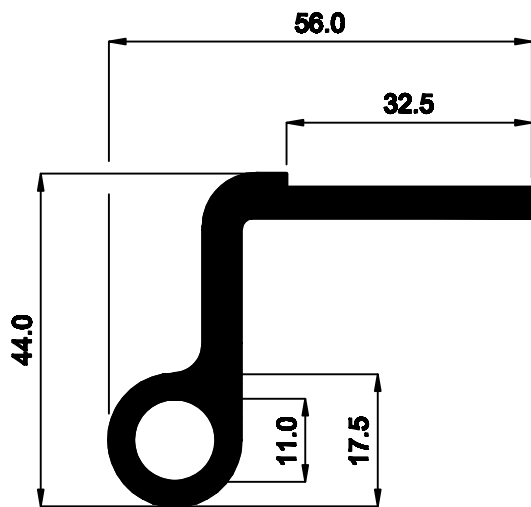
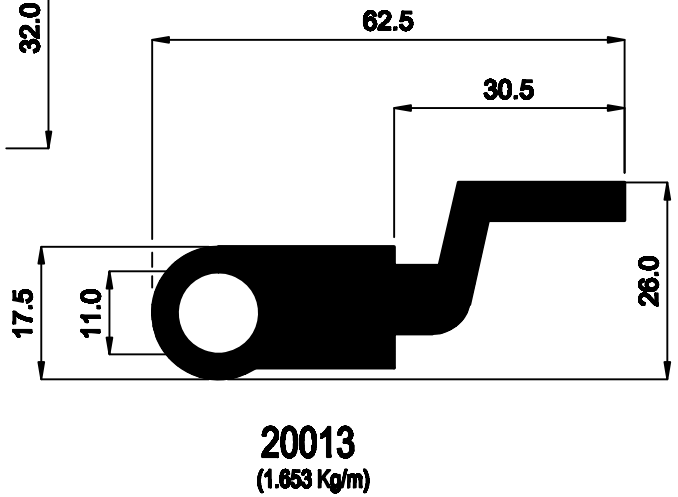
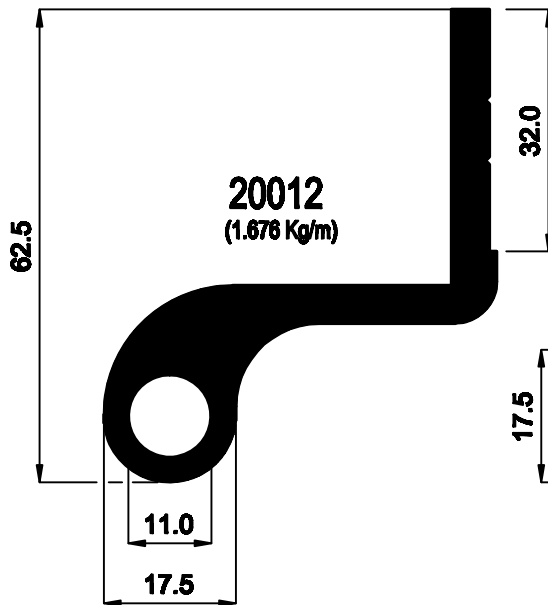
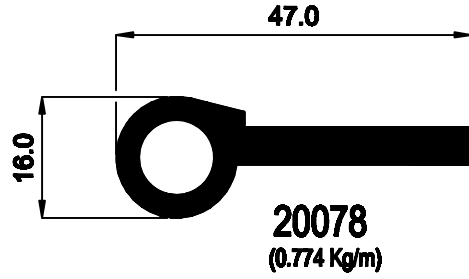
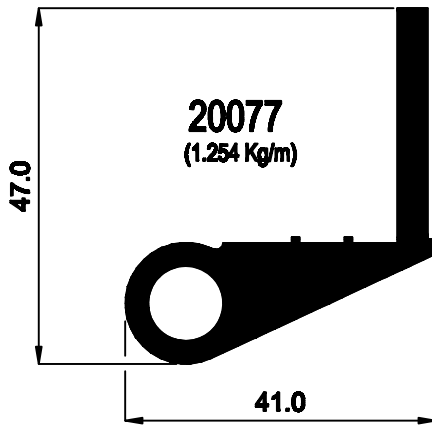


20127
(1.271 Kg/m)

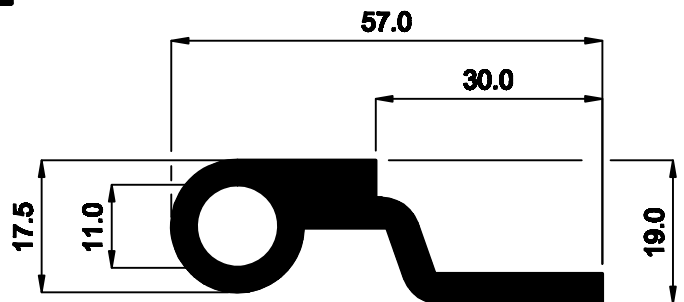


20122
(1.283 Kg/m)

HINGED DOORS & WINDOWS

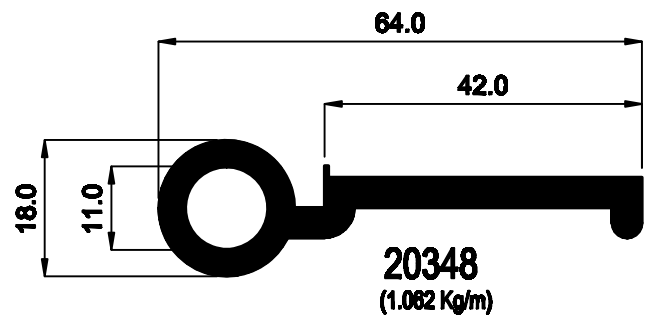
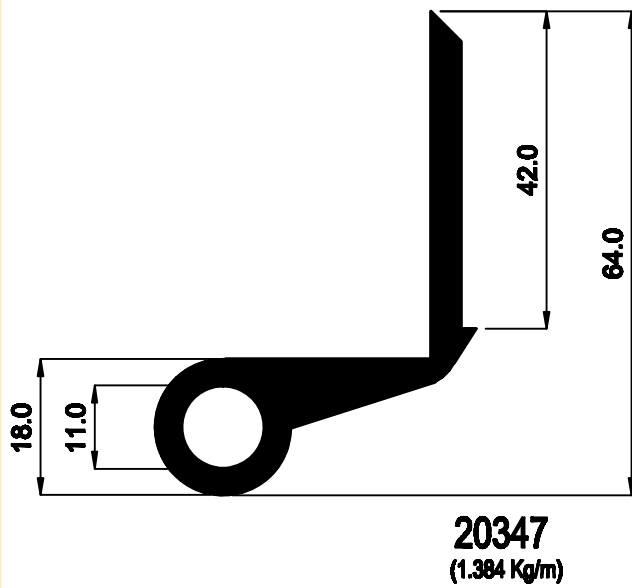
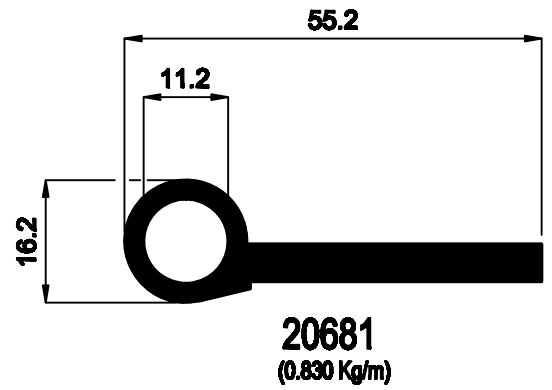
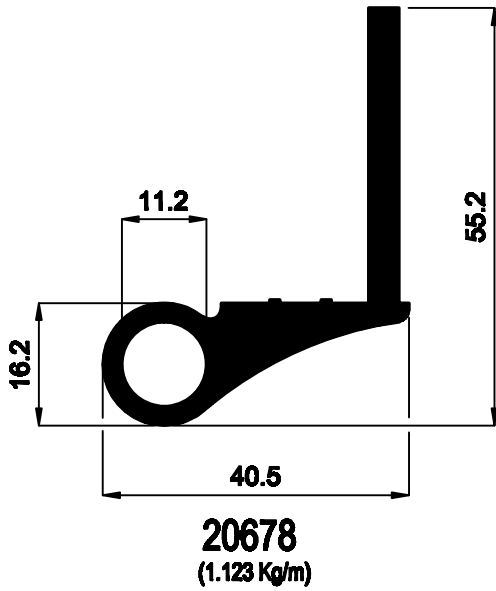
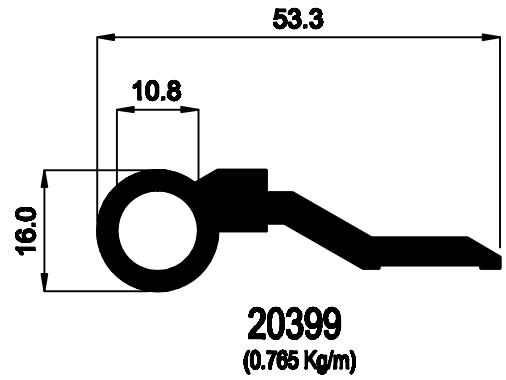
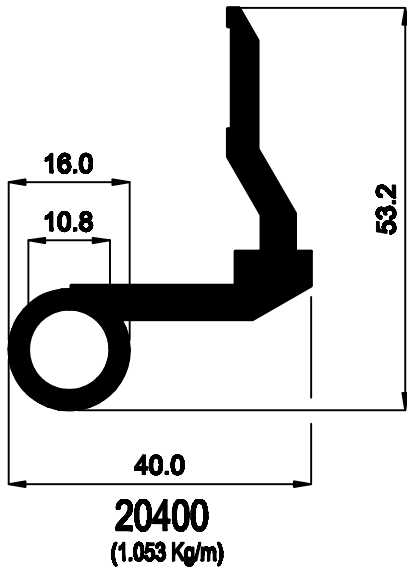


20018
(1.180 Kg/m)



20019
(1.072 Kg/m)

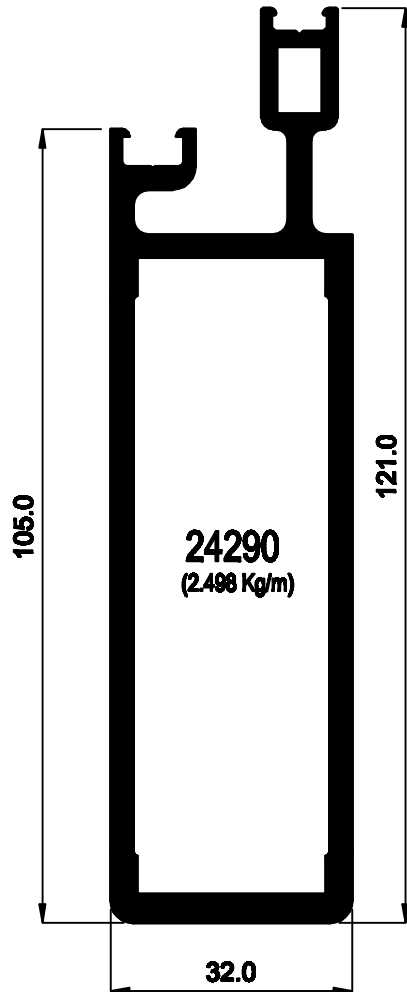
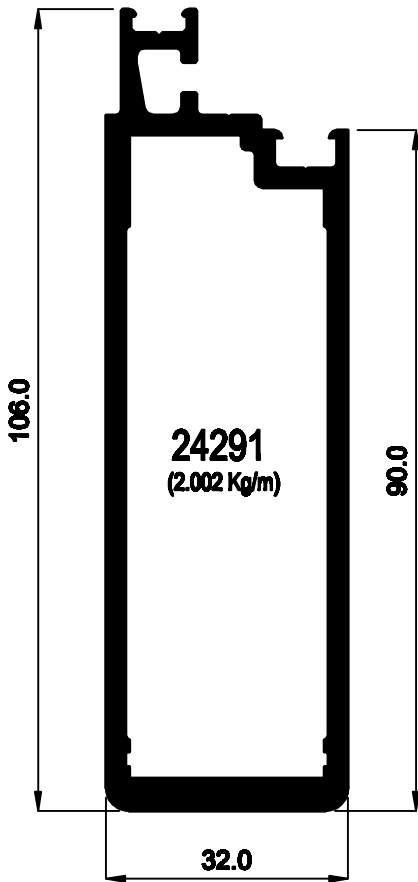
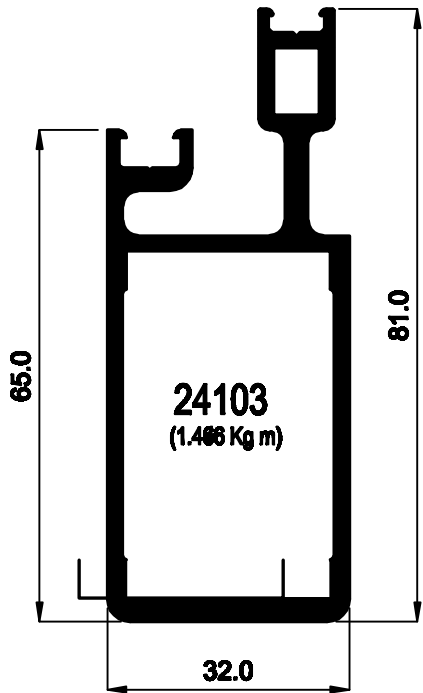
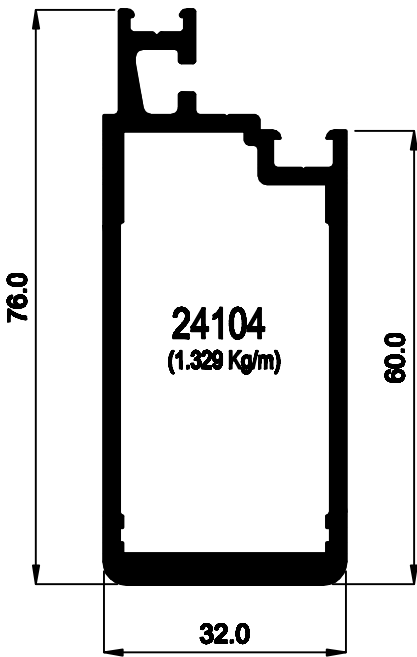
HINGED DOORS & WINDOWS



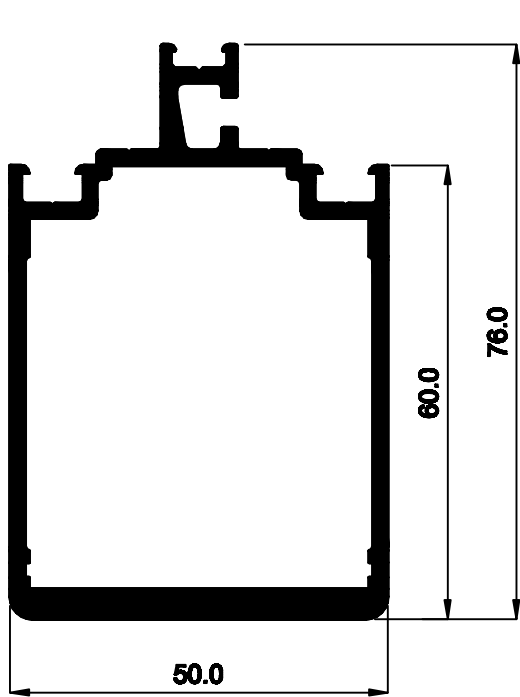


CURTAIN WALL

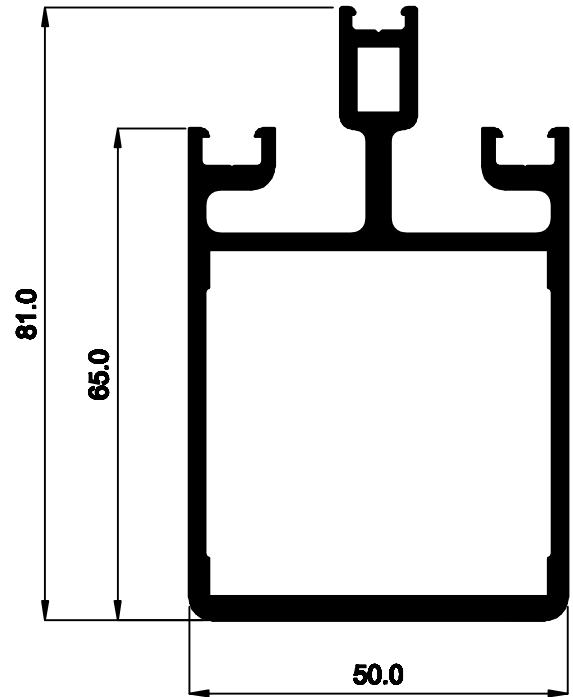
CURTAIN WALL



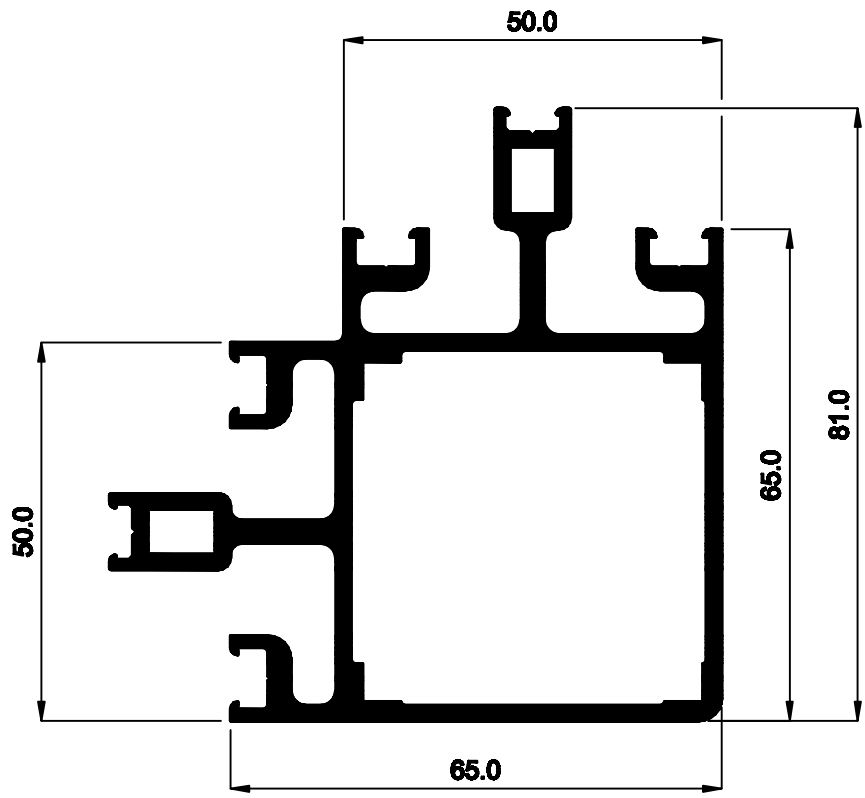
CURTAIN WALL



21709
(1.630 Kg/m)

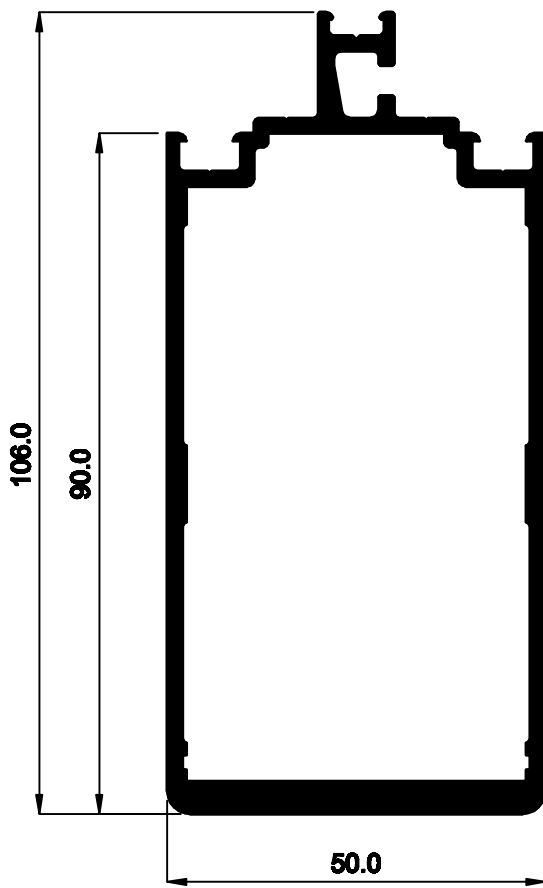


21691
(1.882 Kg/m)

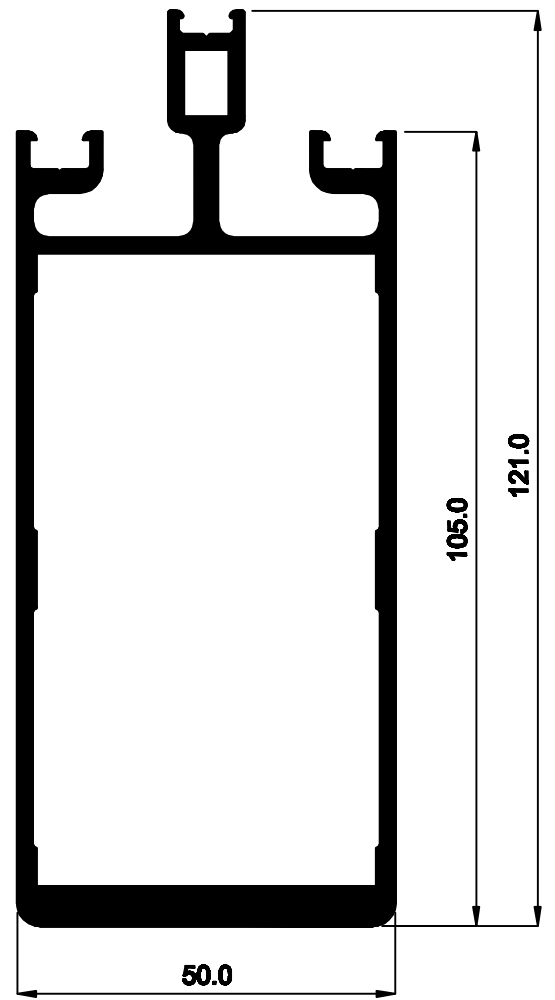


21602
(2.532 Kg/m)

CURTAIN WALL

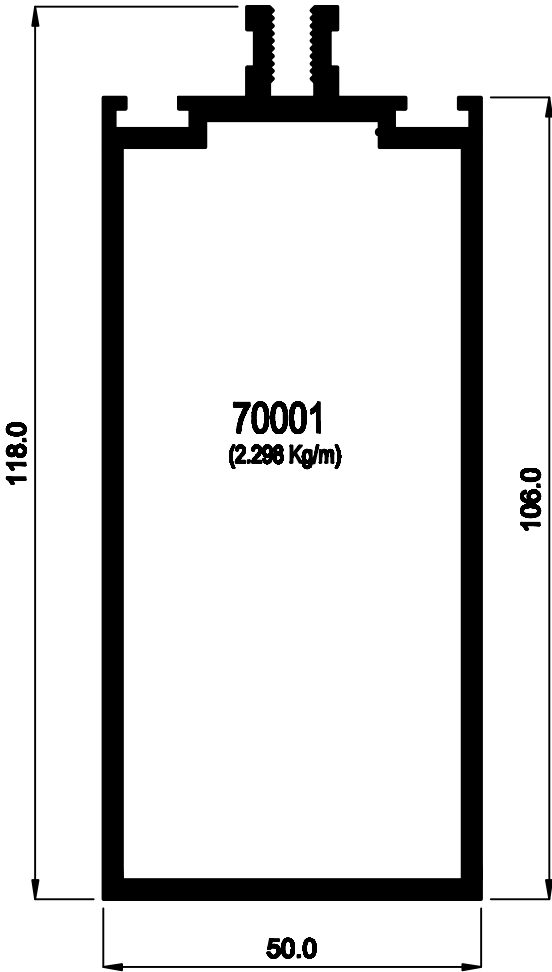
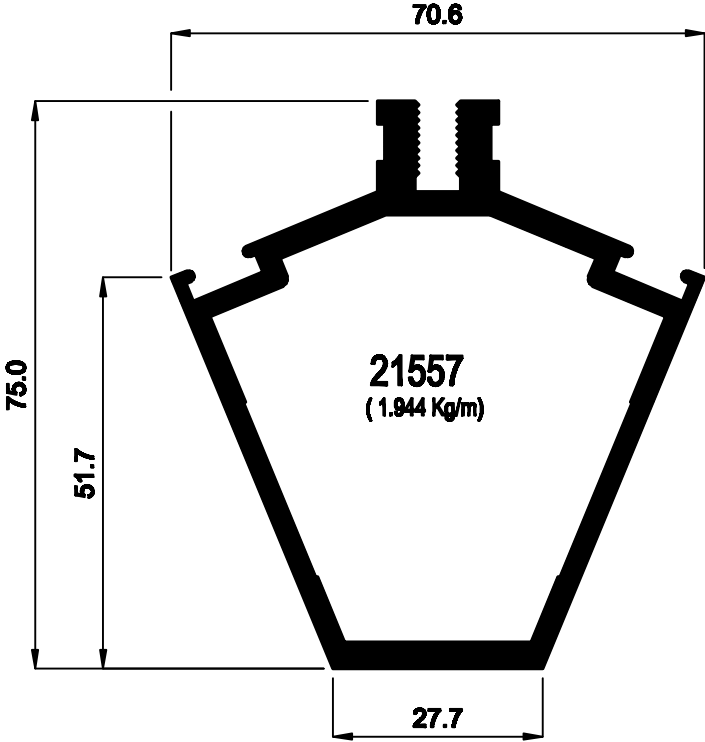


21603
(2.019 Kg/m)

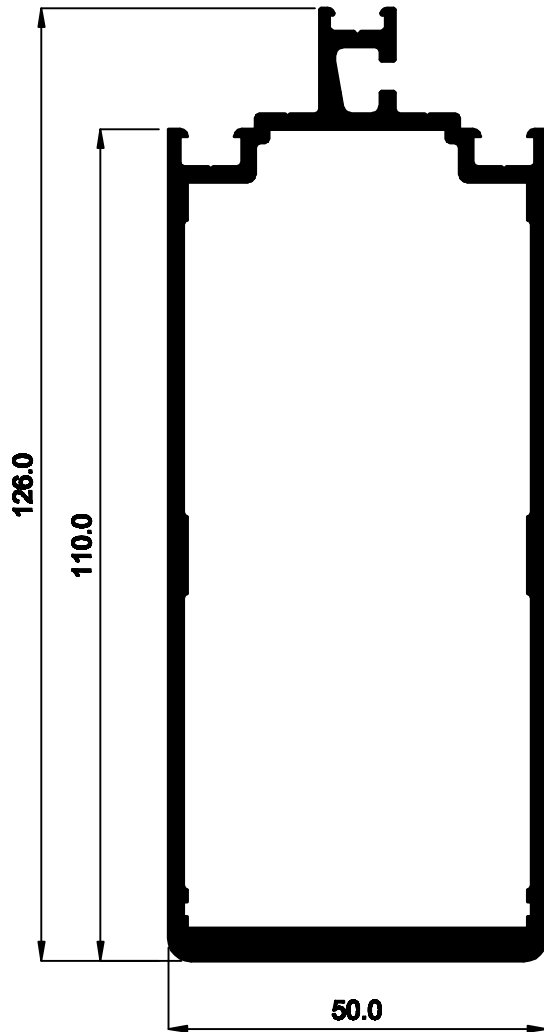


21601
(2.602 Kg/m)

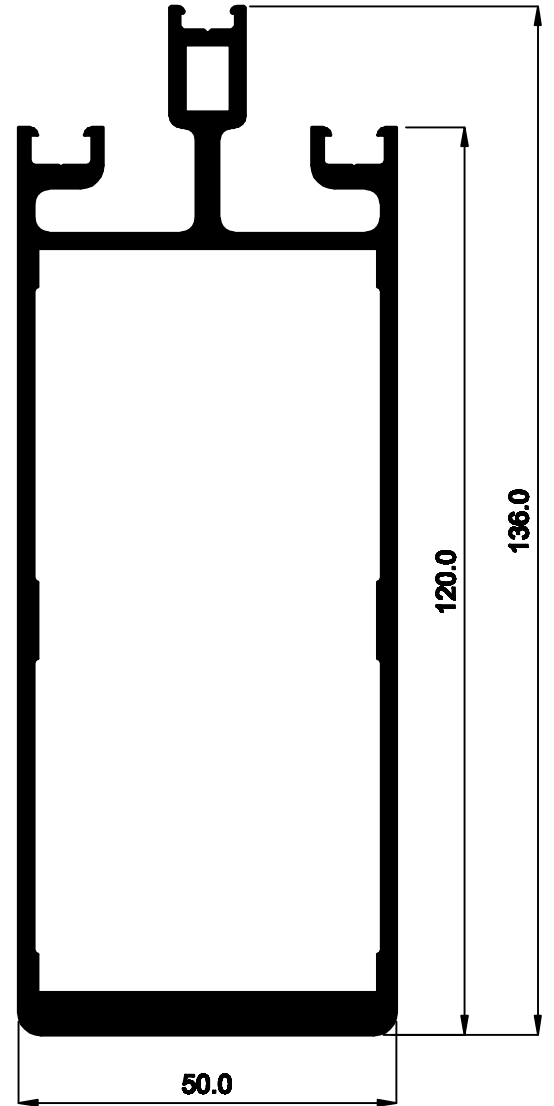
CURTAIN WALL



CURTAIN WALL

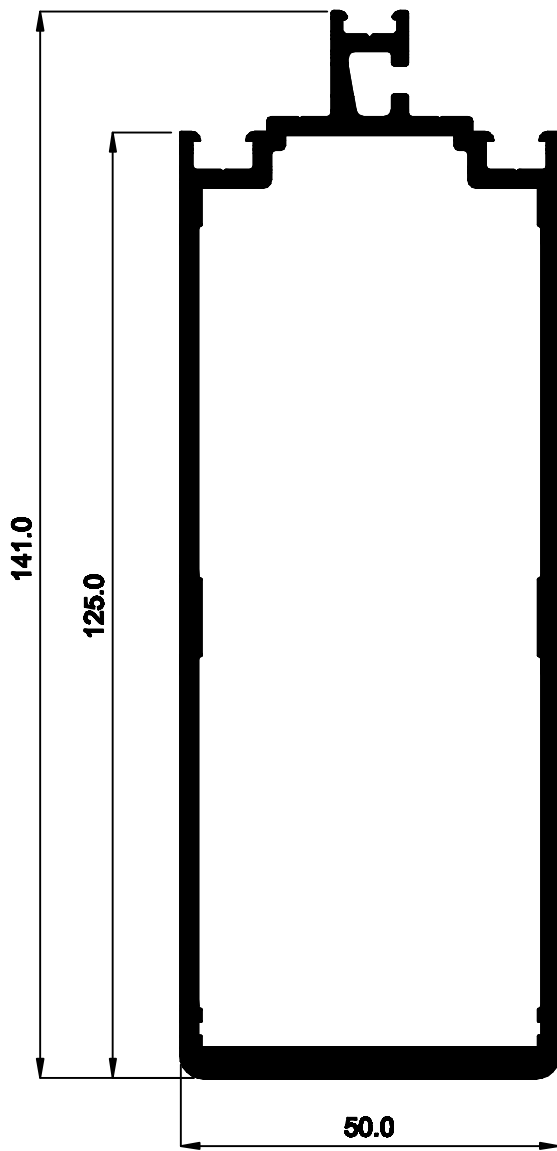


21670
(2.235 Kg/m)

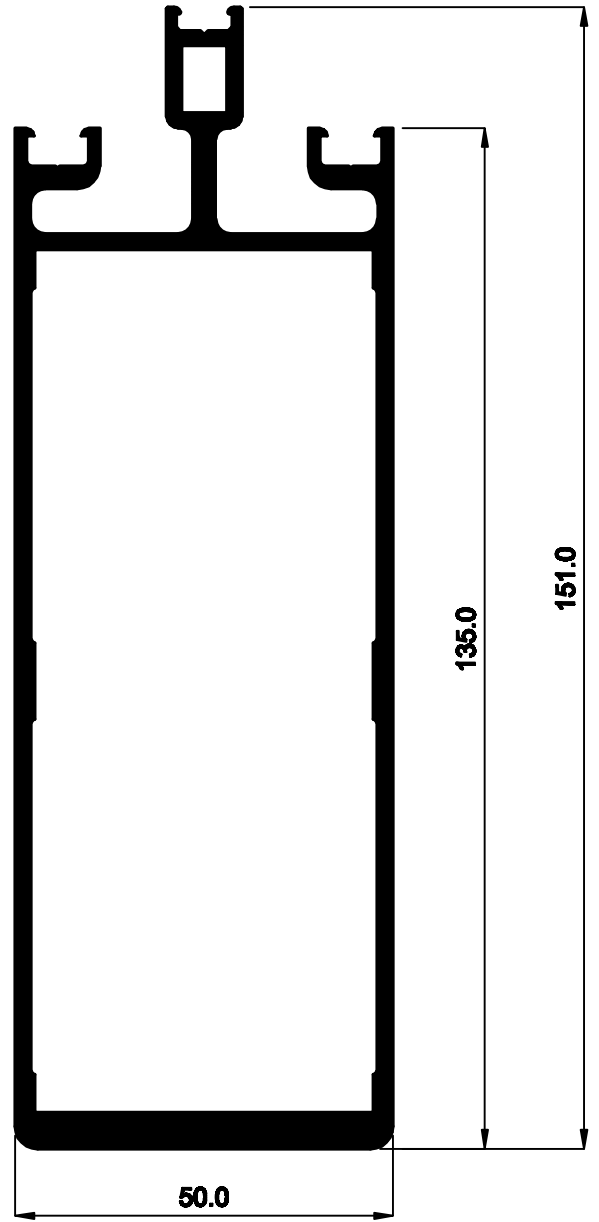


21669
(2.814 Kg/m)

CURTAIN WALL

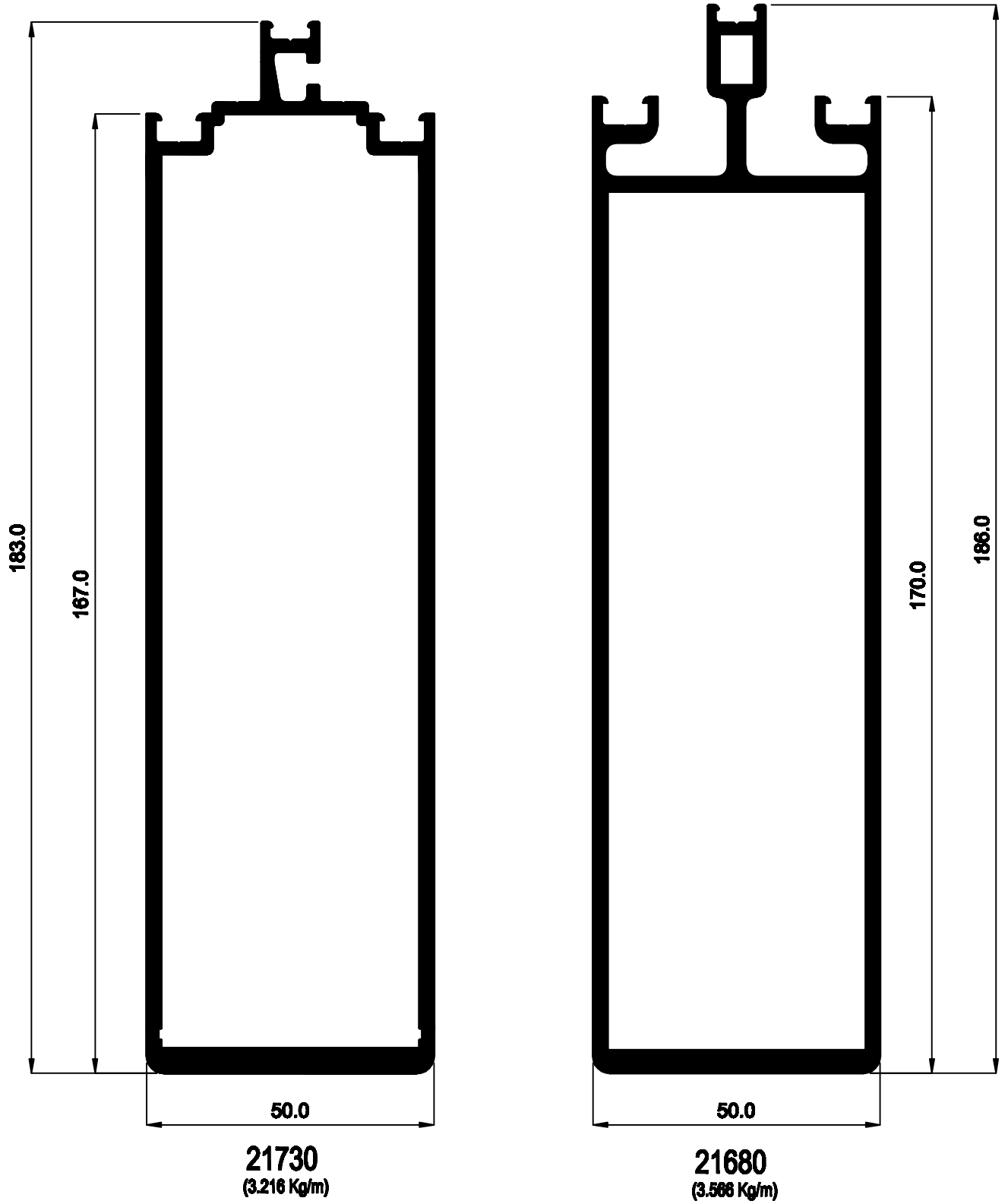


24256
(2.524 Kg/m)

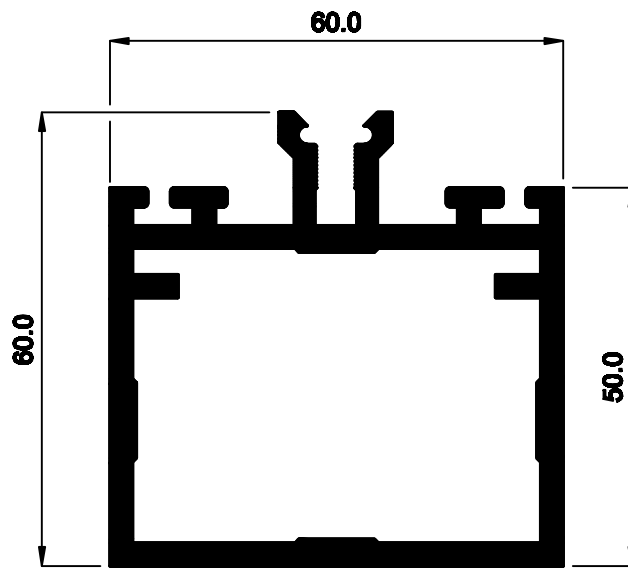


24255
(2.951 Kg/m)

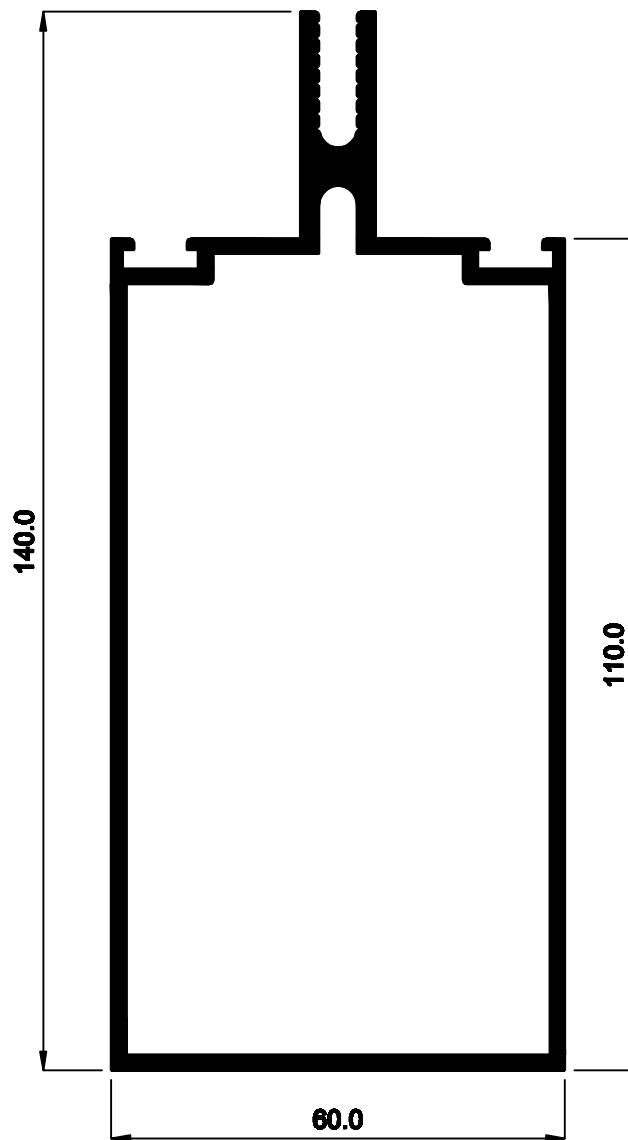
CURTAIN WALL



CURTAIN WALL

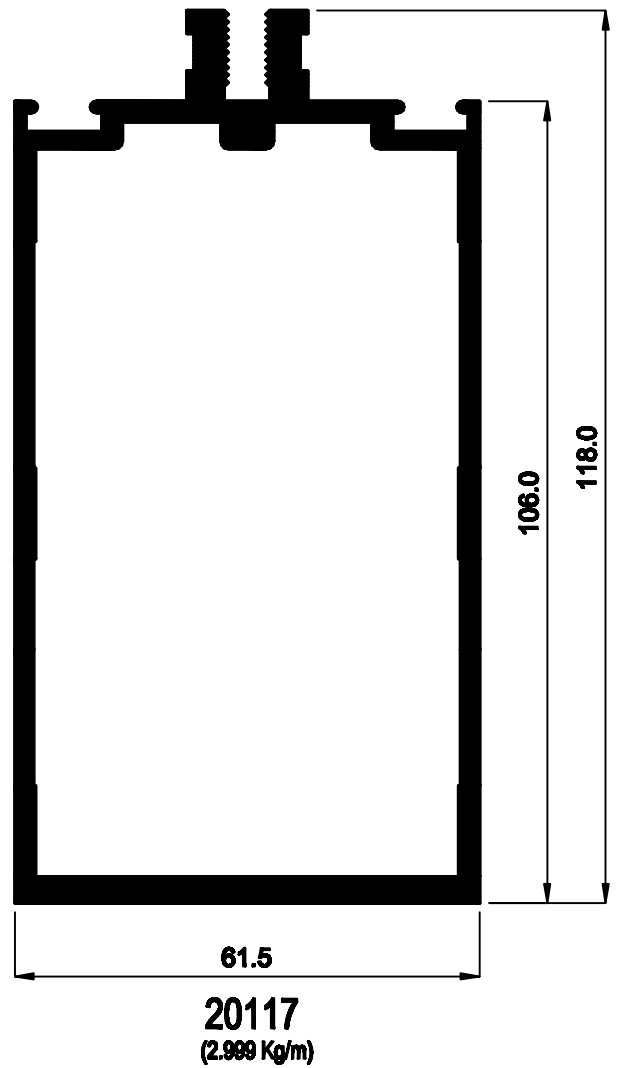
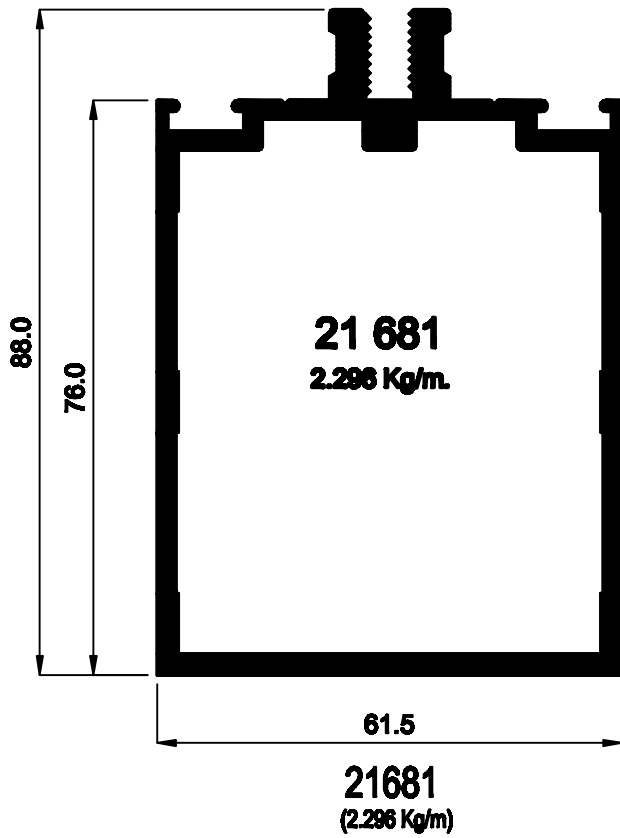
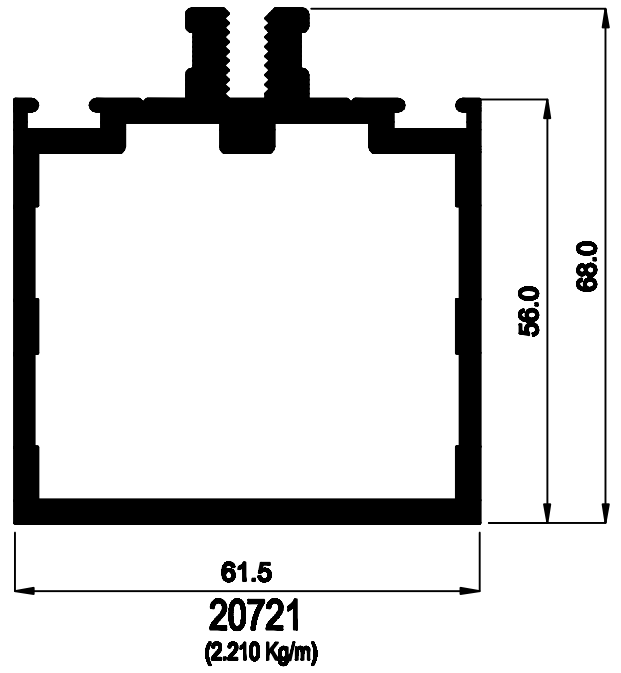
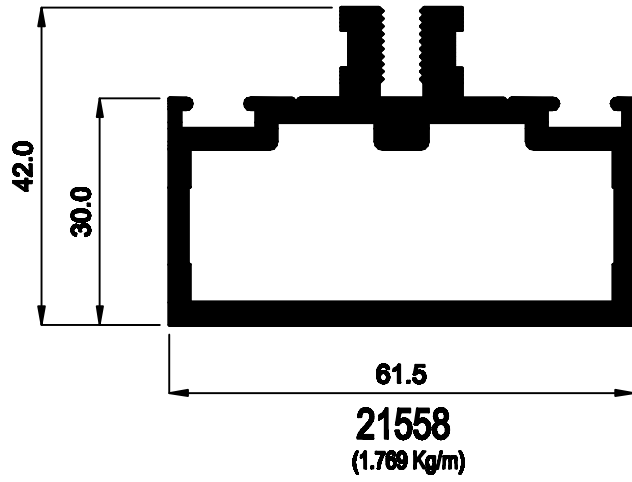


20342
(2.280 Kg/m)

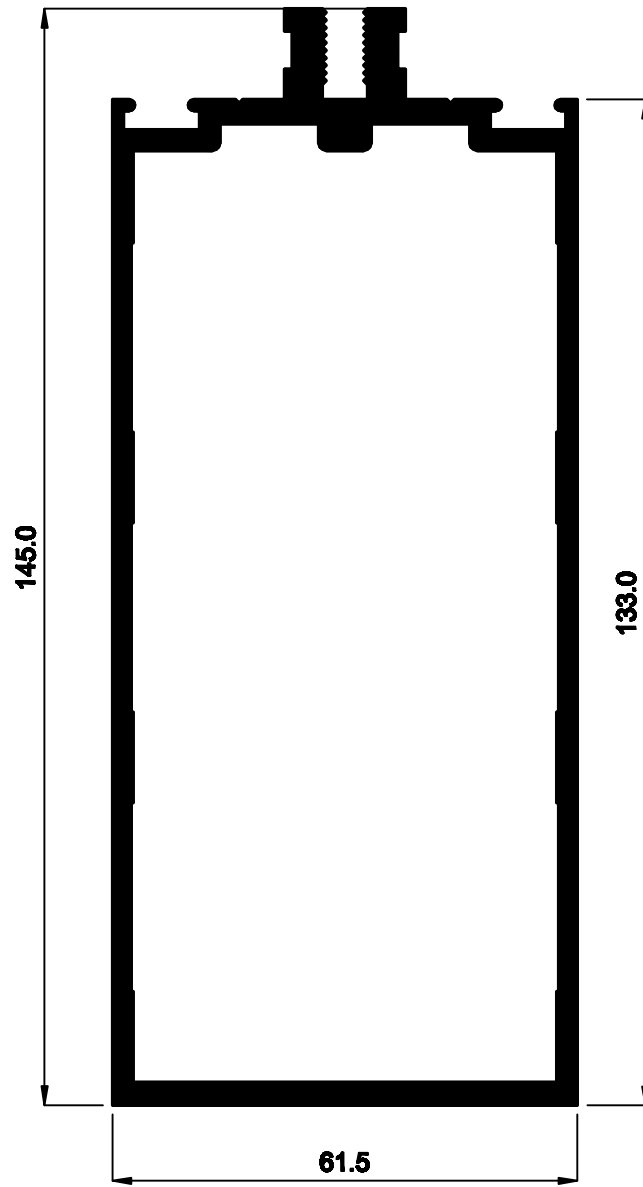


21140
(2.301 Kg/m)

CURTAIN WALL

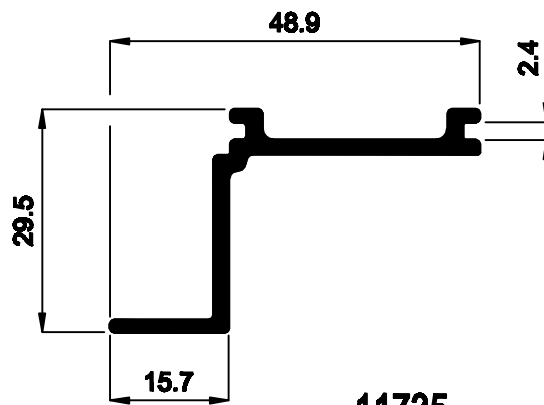


CURTAIN WALL

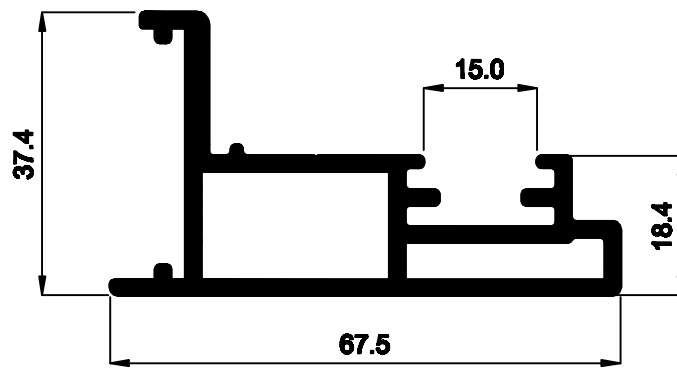


20821
(3.212 Kg/m)

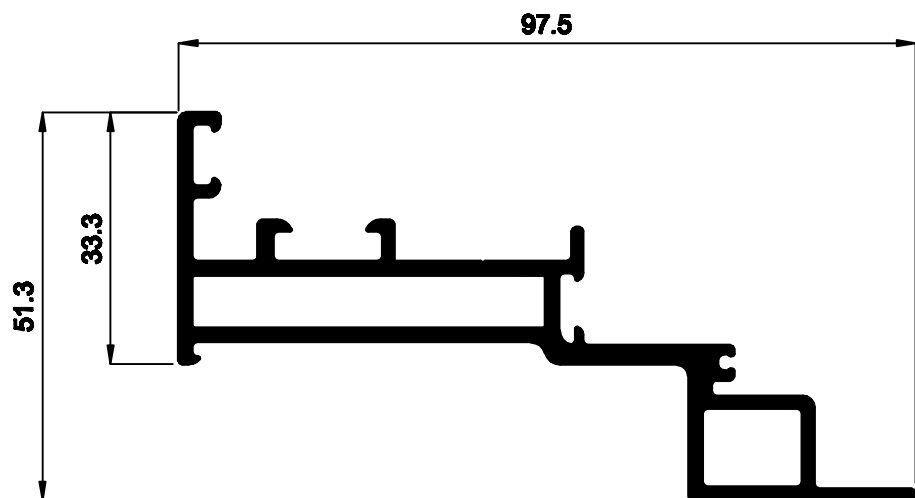
CURTAIN WALL



11735
(0.425 Kg/m)

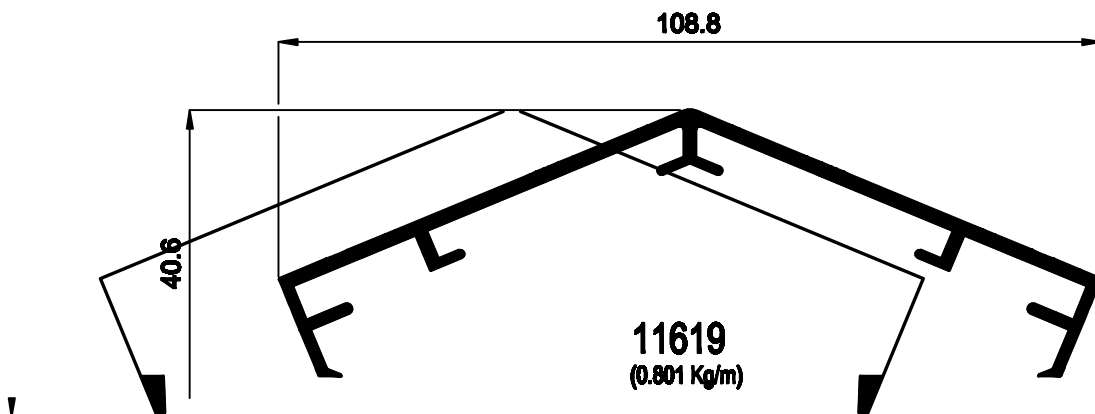
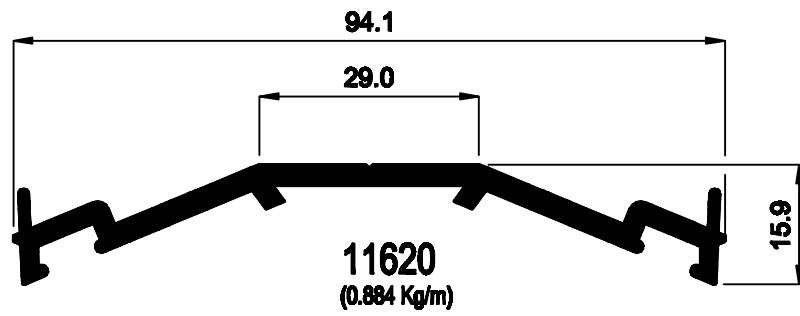
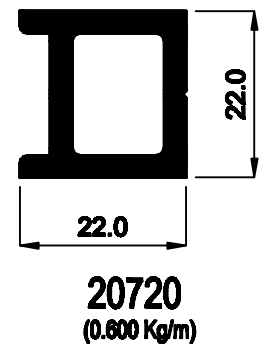
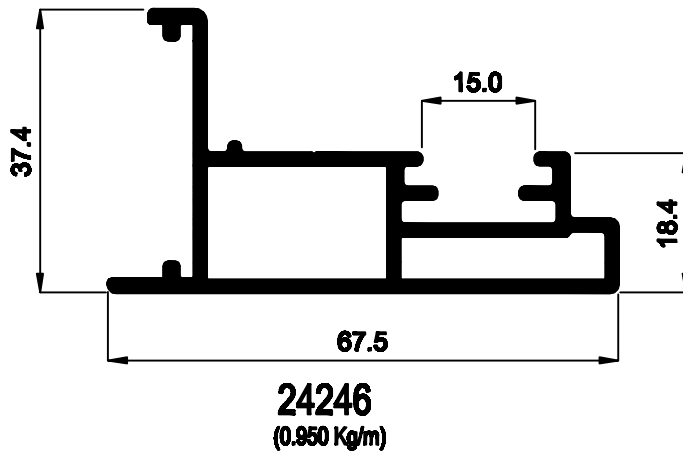
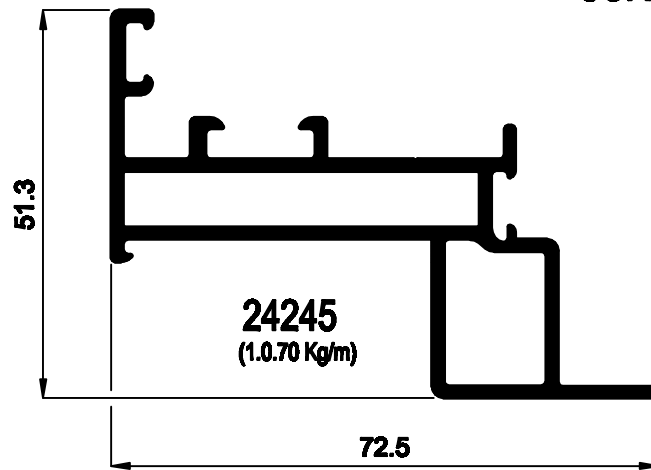


21611
(1.191 Kg/m)

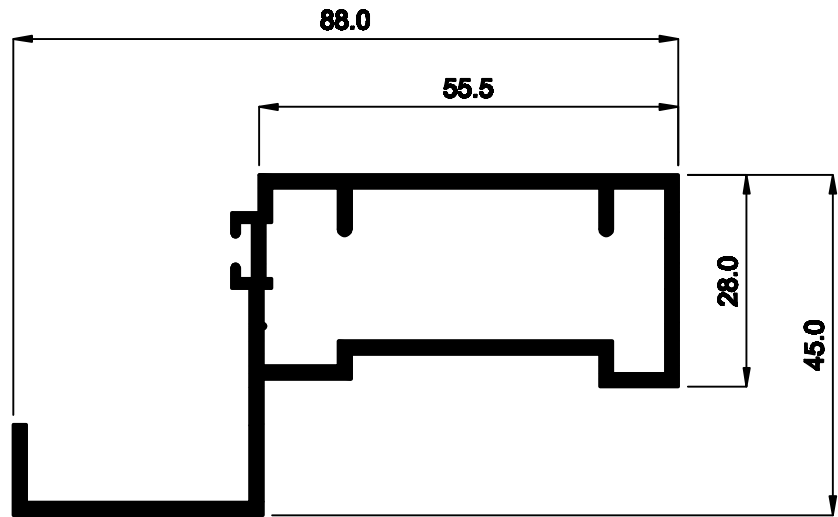


21612
(1.323 Kg/m)

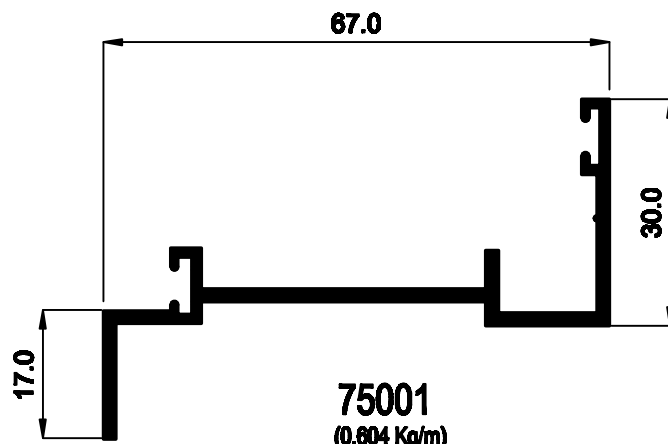
CURTAIN WALL



CURTAIN WALL

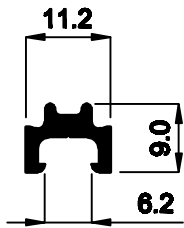


70002
(1.137 Kg/m)

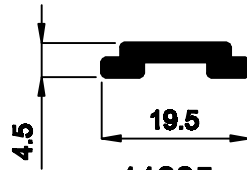


75001
(0.804 Kg/m)

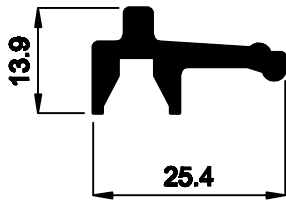
CURTAIN WALL



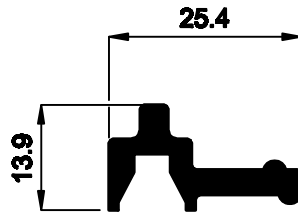
11726
(0.116 Kg/m)



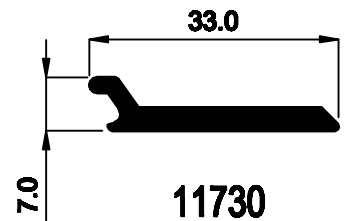
11225
(0.163 Kg/m)



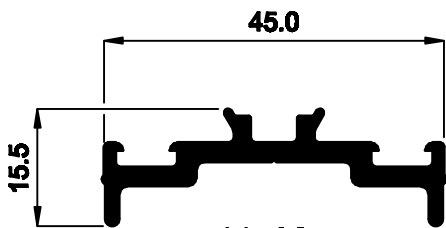
11678
(0.318 Kg/m)



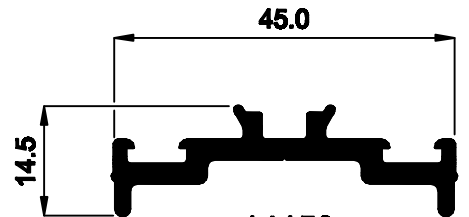
11679
(0.338 Kg/m)



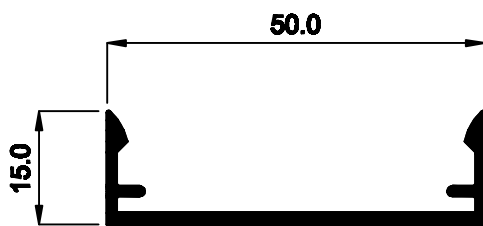
11730
(0.267 Kg/m)



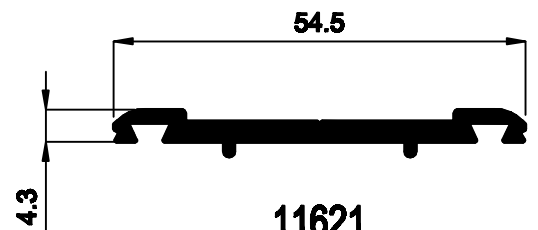
11792
(0.486 Kg/m)



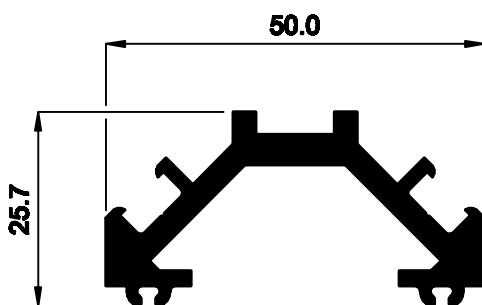
14153
(0.476 Kg/m)



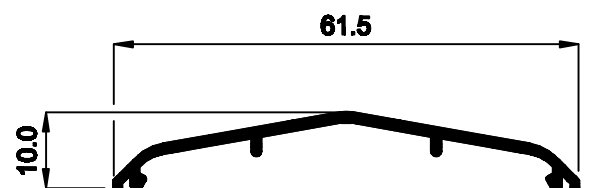
14154
(0.330 Kg/m)



11621
(0.422 Kg/m)

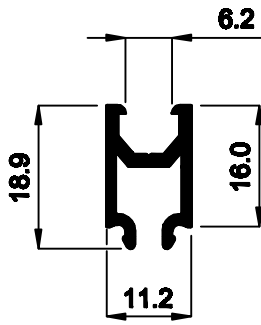


14152
(0.893 Kg/m)

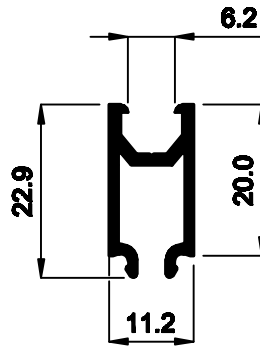


11622
(0.241 Kg/m)

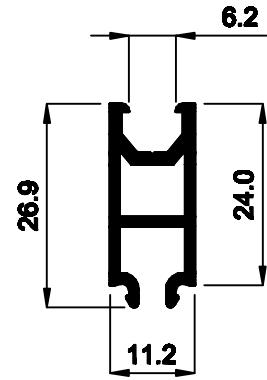
CURTAIN WALL



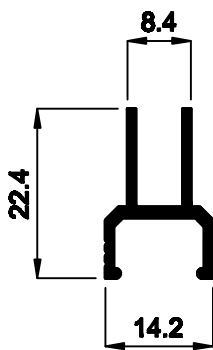
11727
(0.191 Kg/m)



11724
(0.217 Kg/m)



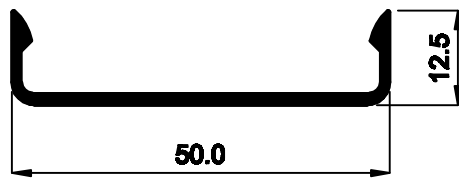
21731
(0.272 Kg/m)



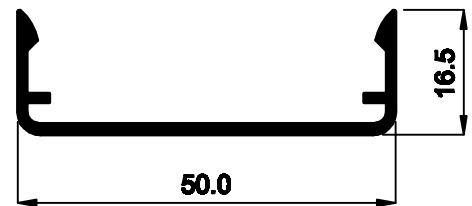
11867
(0.179 Kg/m)



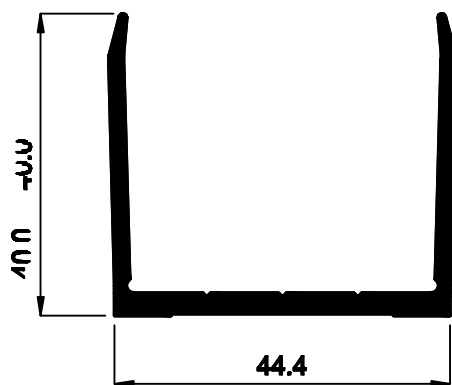
21579
(0.423 Kg/m)



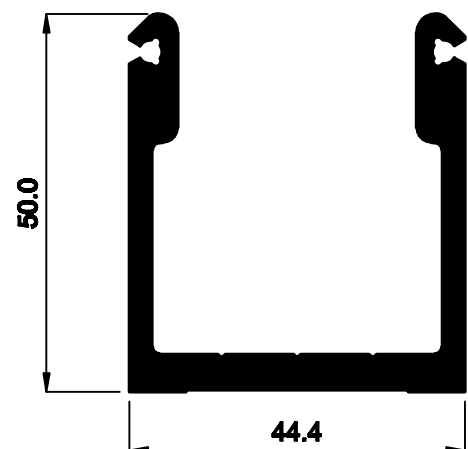
11809
(0.283 Kg/m)



11793
(0.328 Kg/m)



11725
(0.713 Kg/m)

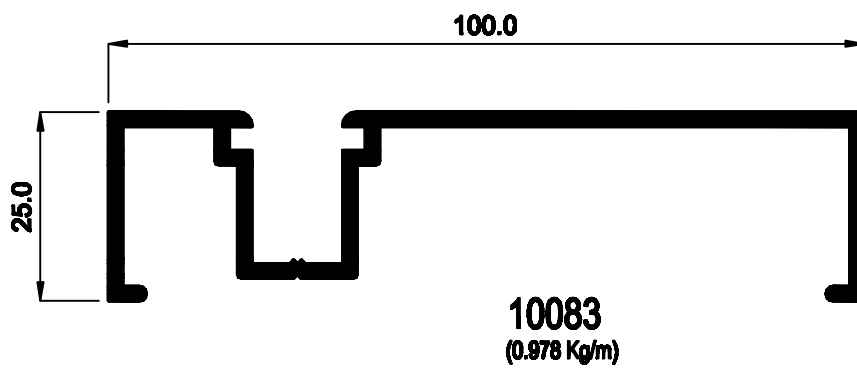
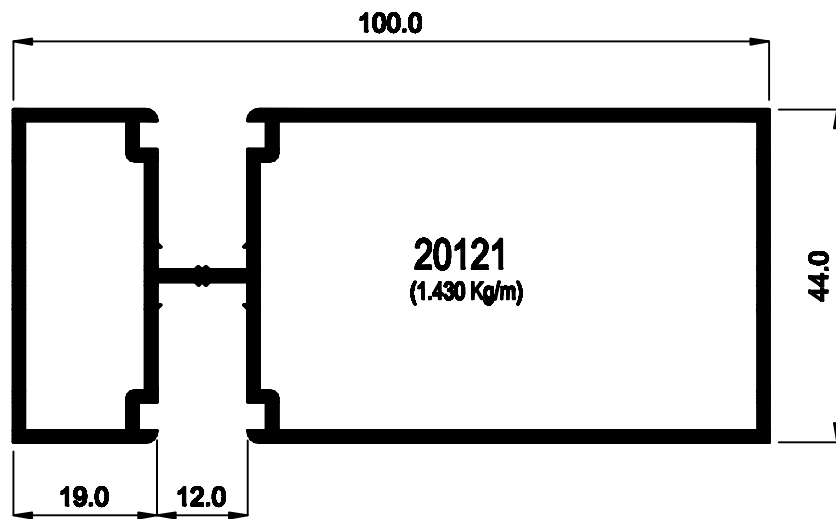
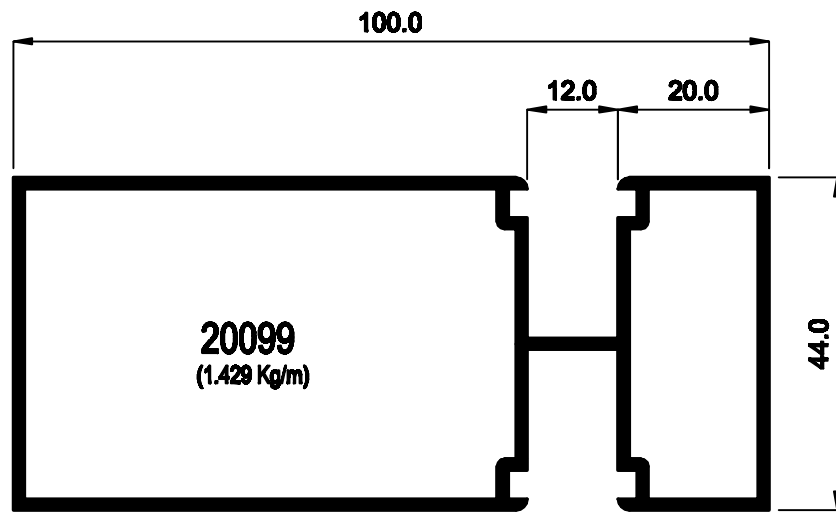


11779
(1.512 Kg/m)

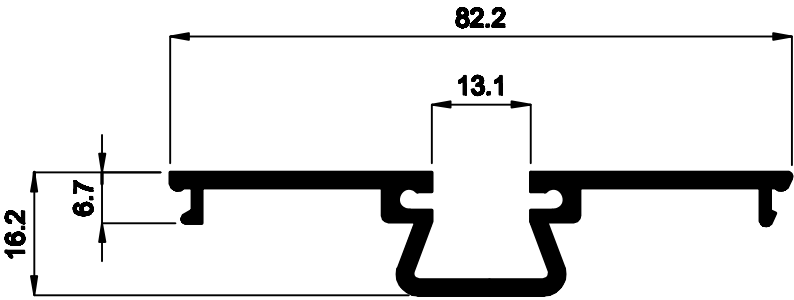
SHOP FRONT



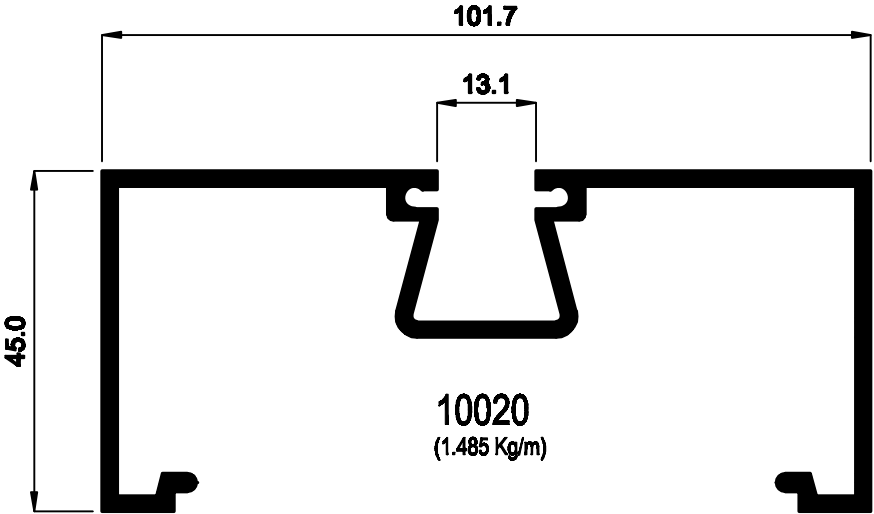
SHOP FRONTS



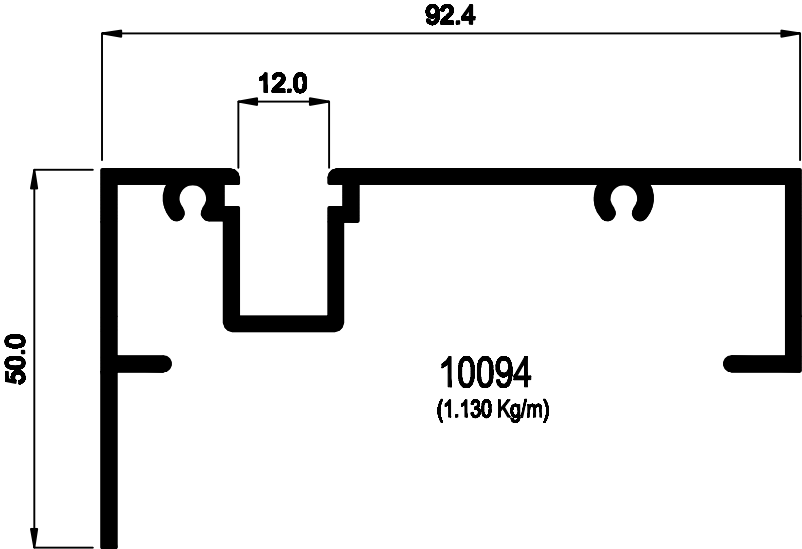
SHOP FRONTS



10017
(0.668 Kg/m)

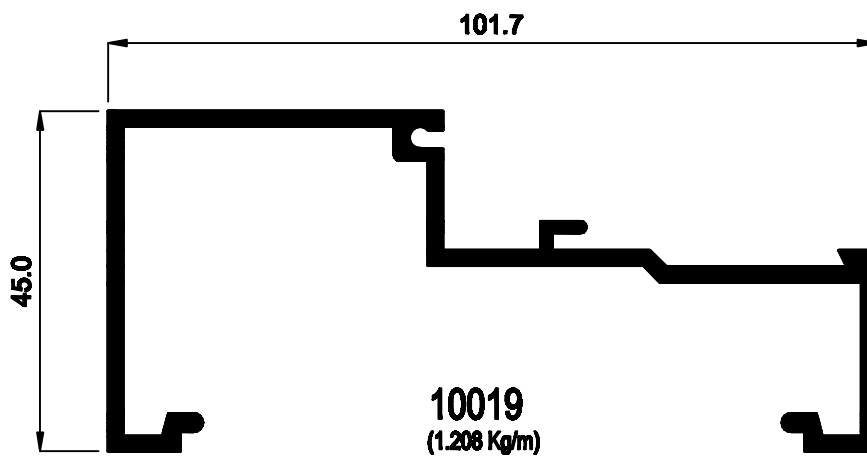
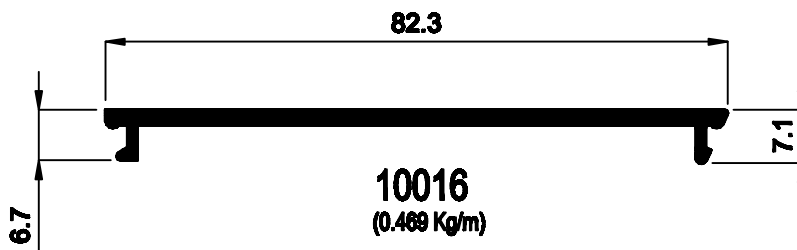
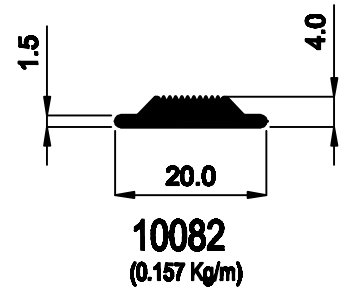
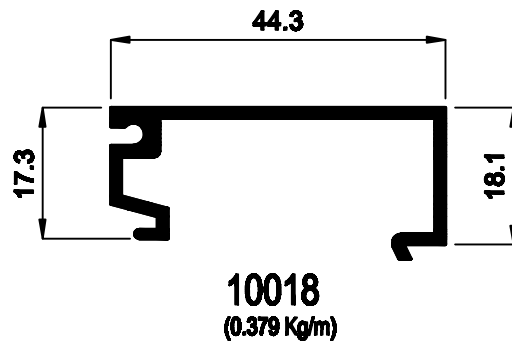
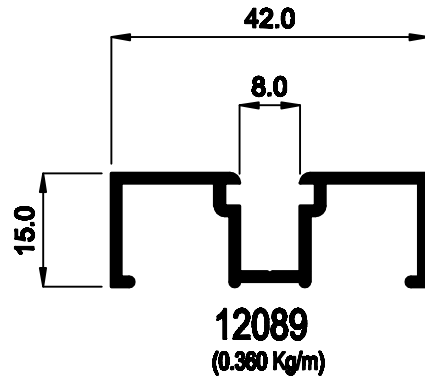


10020
(1.485 Kg/m)

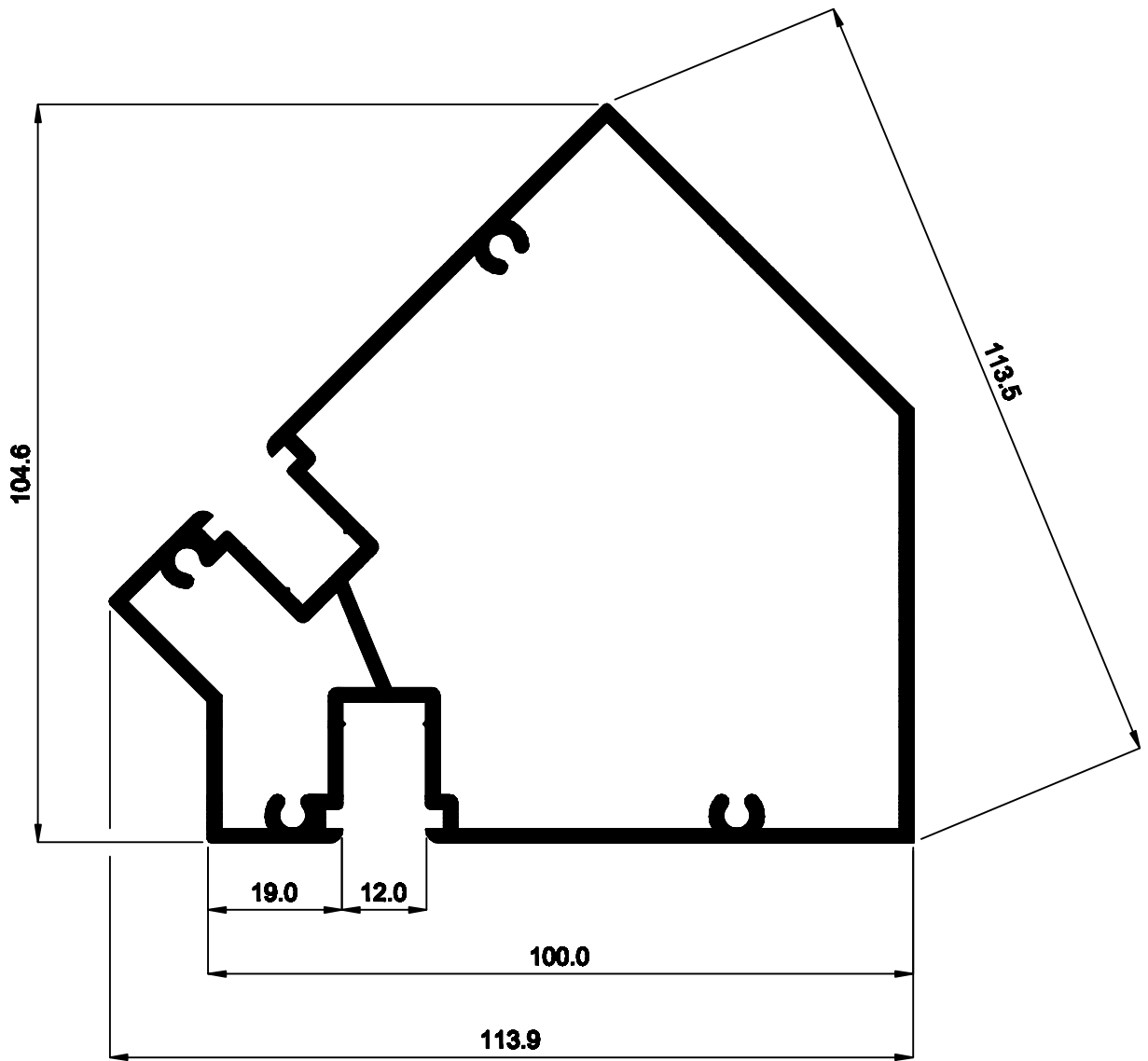


10094
(1.130 Kg/m)

SHOP FRONTS



SHOP FRONTS

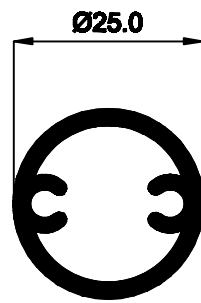


20653
(2411 Kg/m)

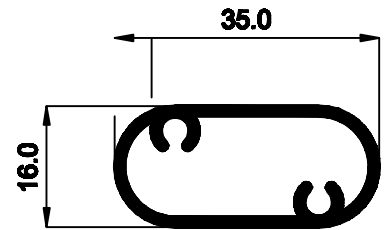


HANDRAIL

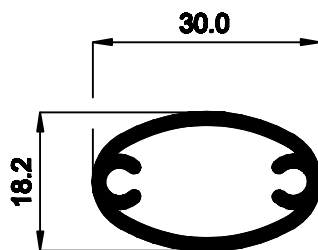
HAND RAIL



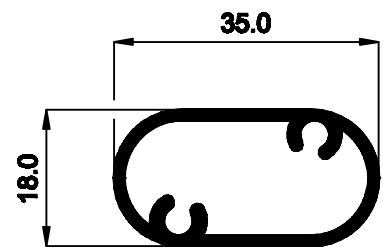
20015
(0.467 Kg/m)



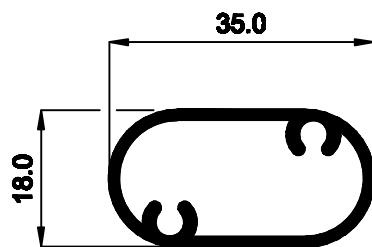
20679
(0.365 Kg/m)



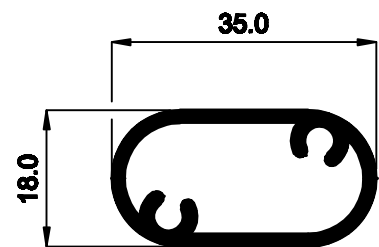
20100
(0.360 Kg/m)



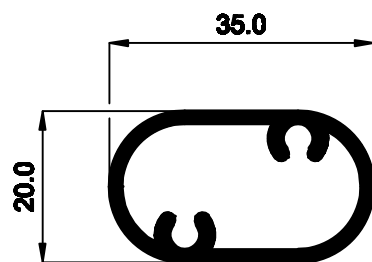
20234
(0.402 Kg/m)



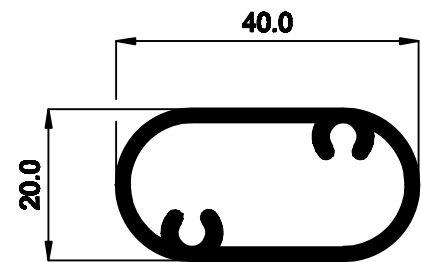
21082
(0.353 Kg/m)



20049
(0.496 Kg/m)

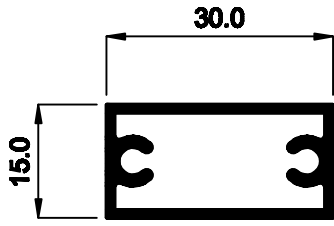


20160
(0.545 Kg/m)

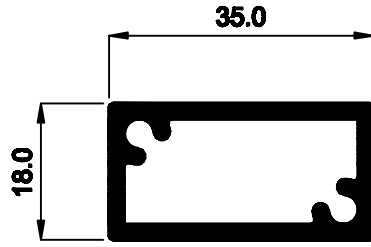


20159
(0.640 Kg/m)

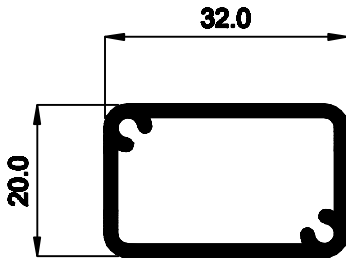
HAND RAIL



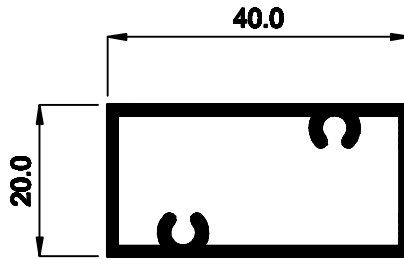
21161
(0.342 Kg/m)



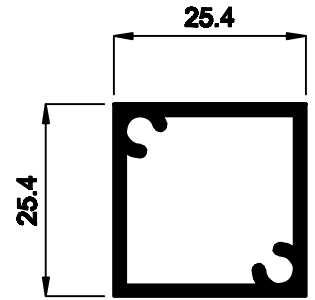
20768
(0.598 Kg/m)



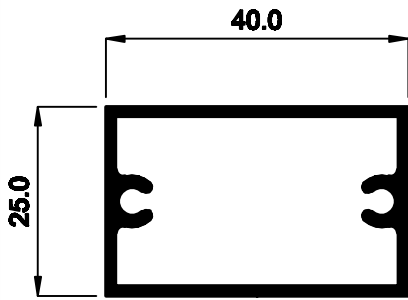
20174
(0.460 Kg/m)



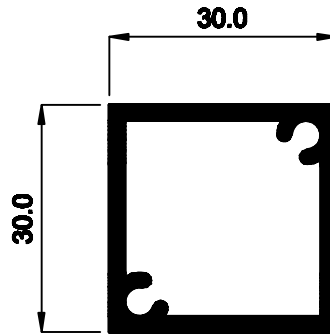
20101
(0.470 Kg/m)



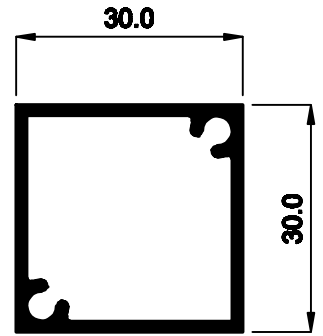
20104
(0.447 Kg/m)



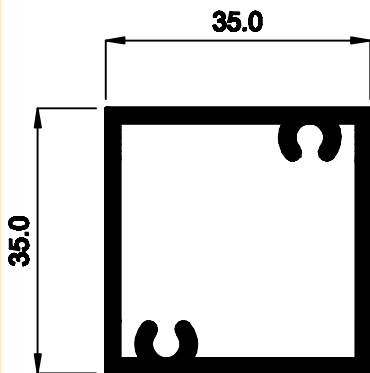
20382
(0.525 Kg/m)



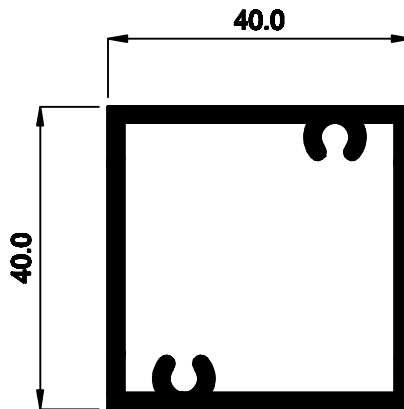
20014
(0.684 Kg/m)



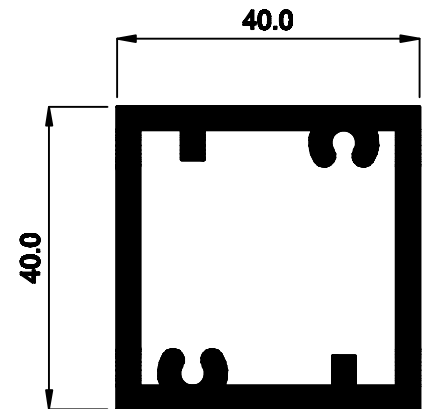
20535
(0.490 Kg/m)



20153
(0.875 Kg/m)

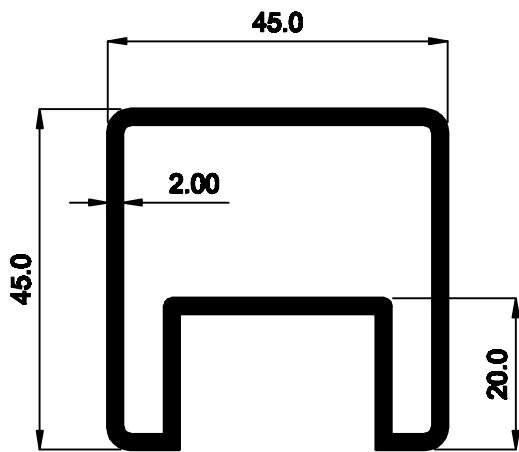


20154
(1.070 Kg/m)

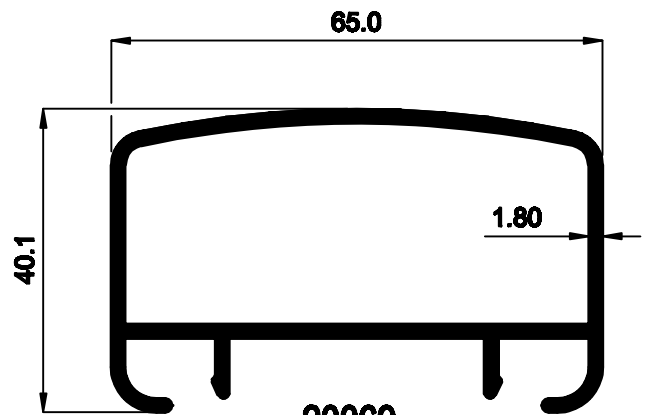


20280
(1.405 Kg/m)

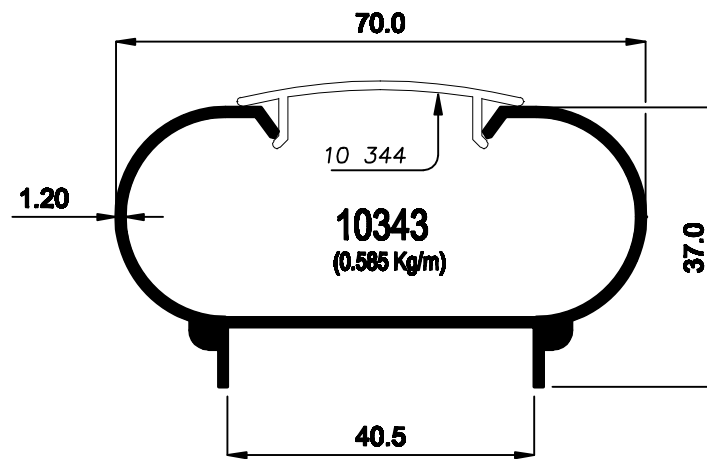
HAND RAIL



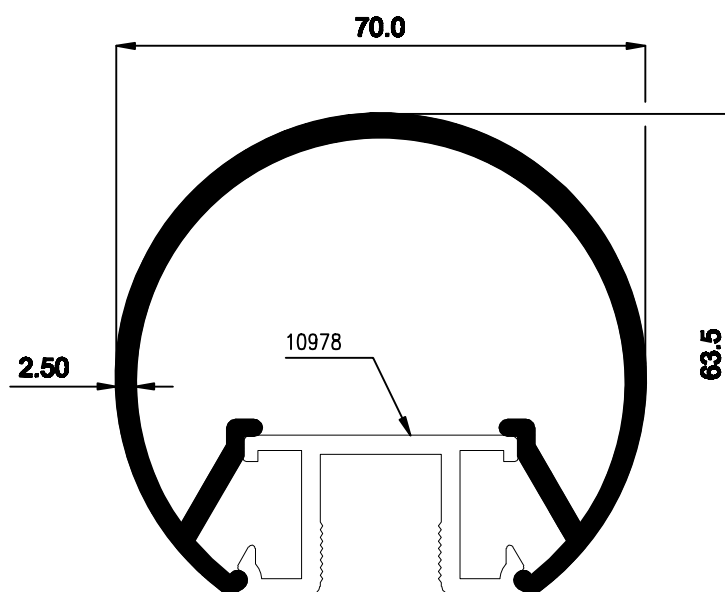
20192
(1.120 Kg/m)



20069
(1.060 Kg/m)

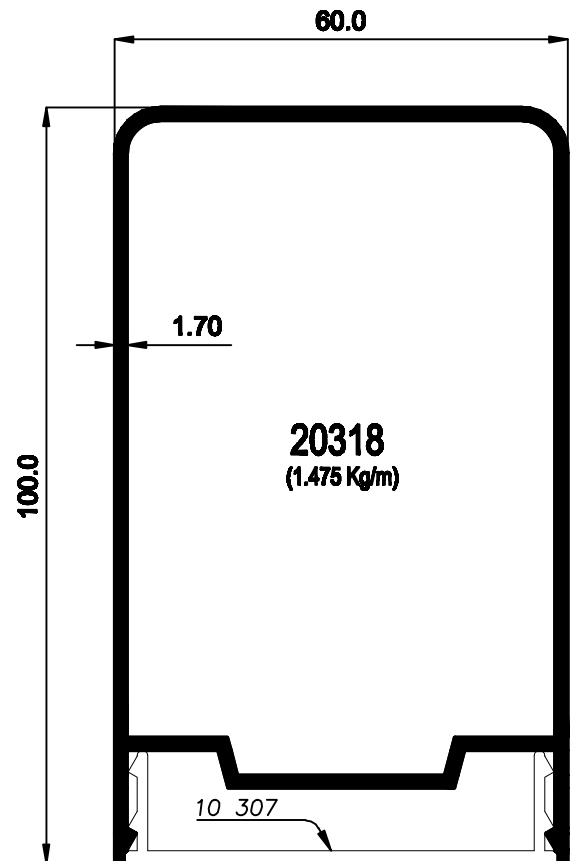
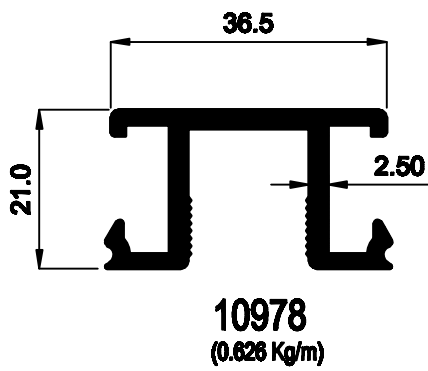
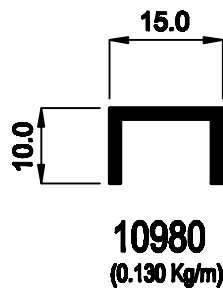
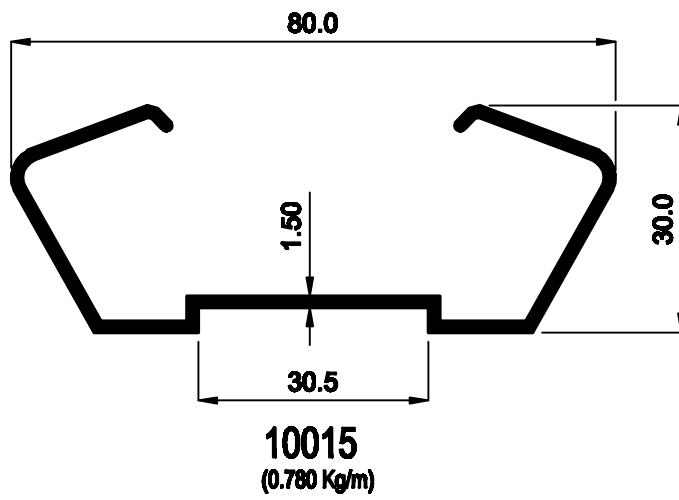
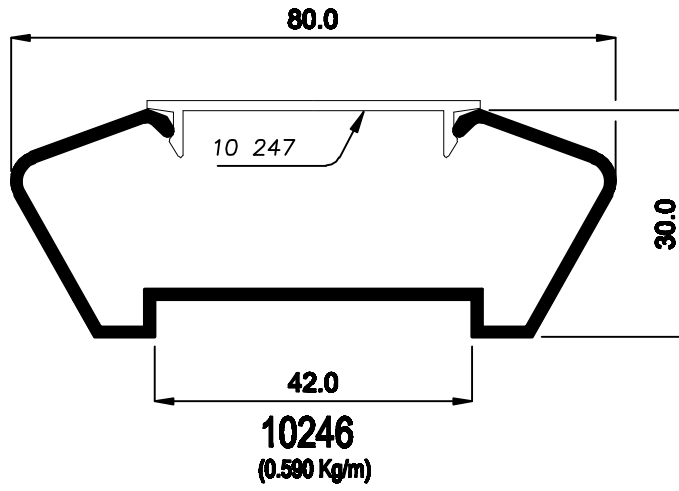


10343
(0.585 Kg/m)

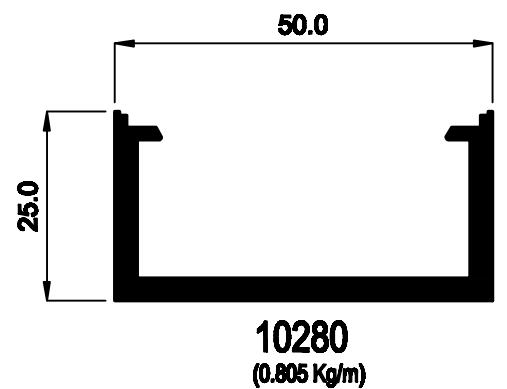
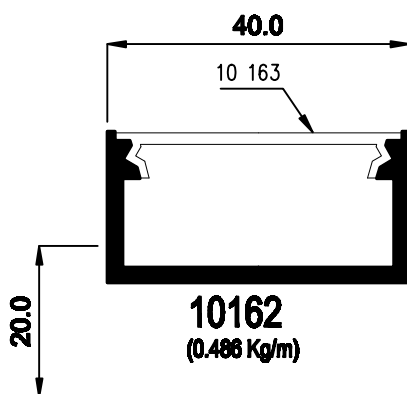
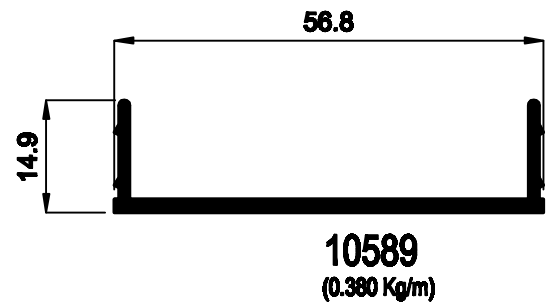
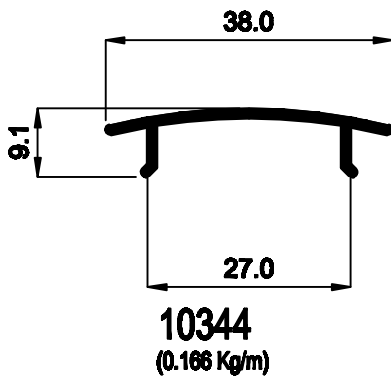
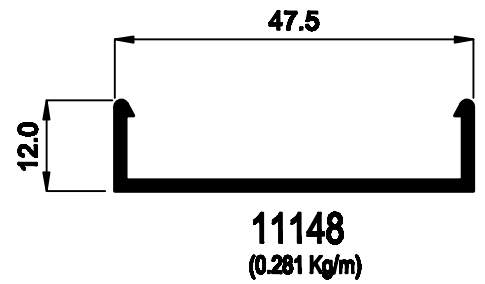
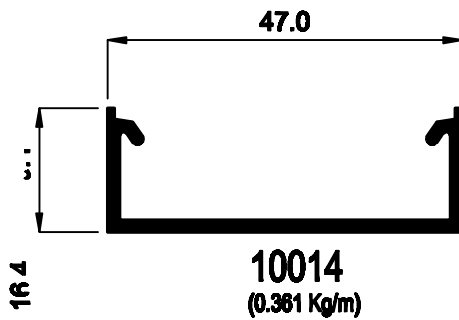
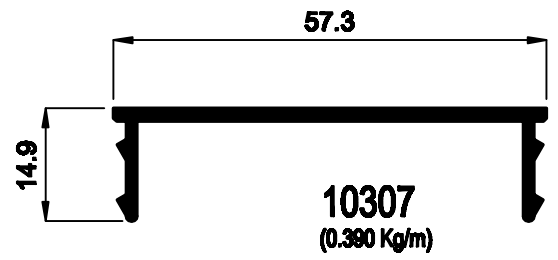
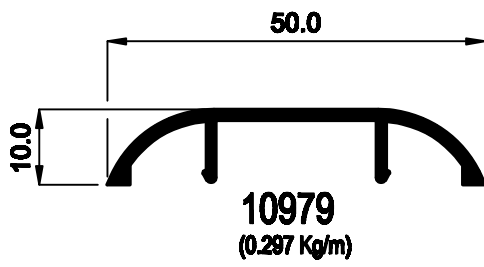
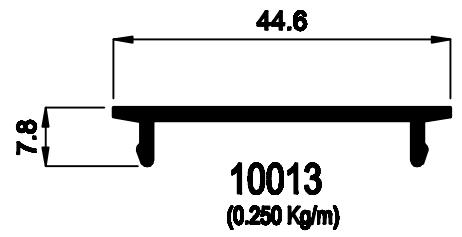
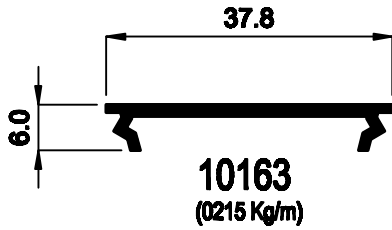


10977
(1.461 Kg/m)

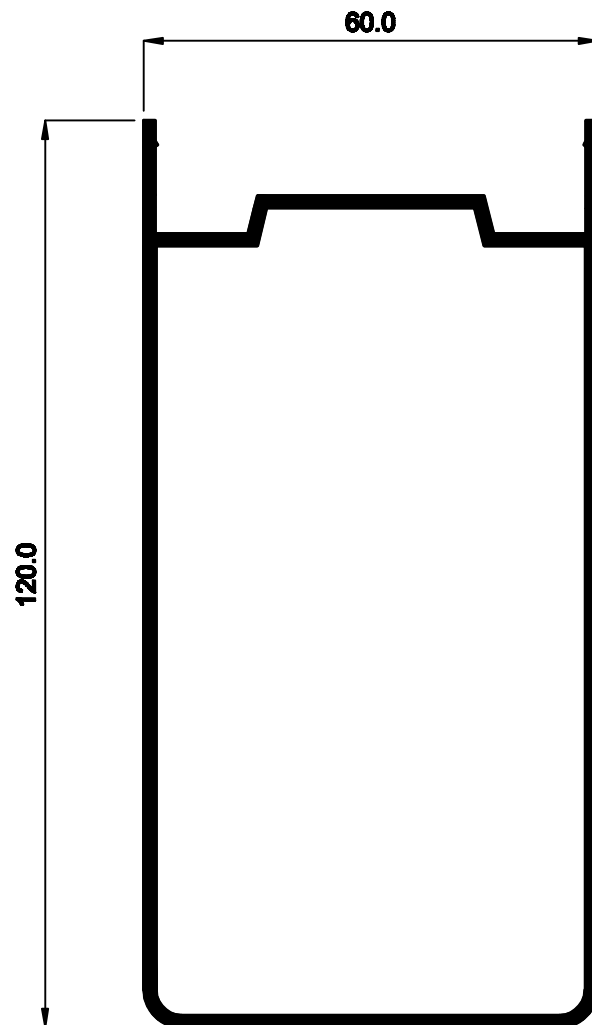
HAND RAIL



HAND RAIL



HAND RAIL

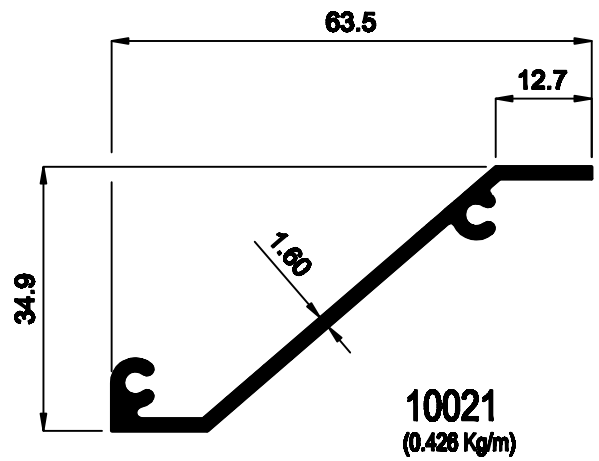
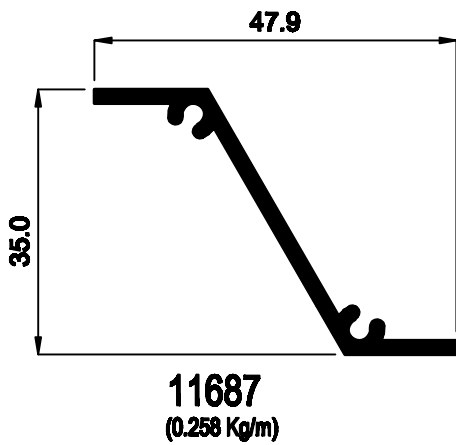
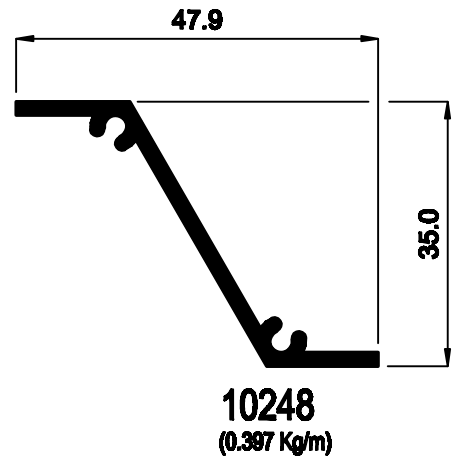
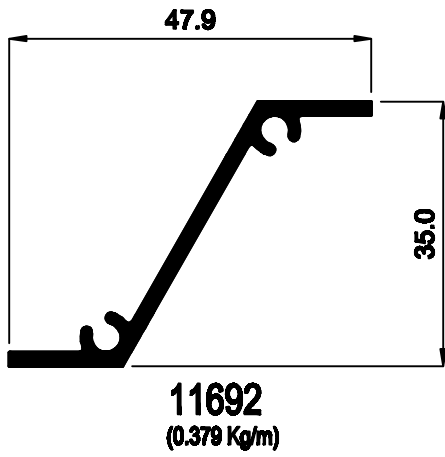
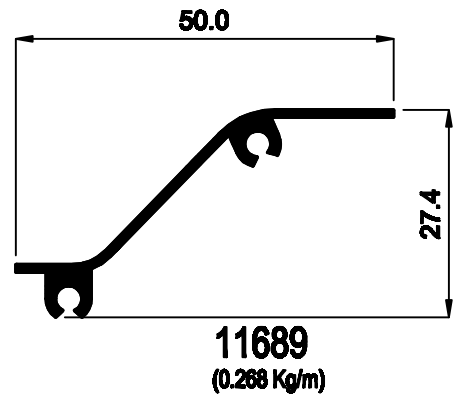
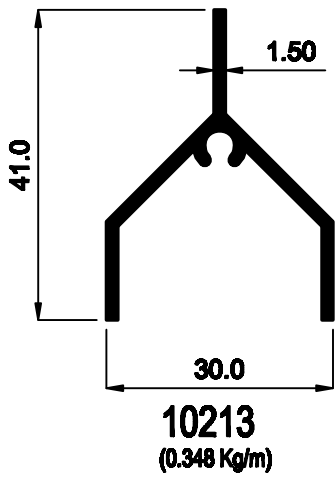


20624
(1.538 Kg/m)

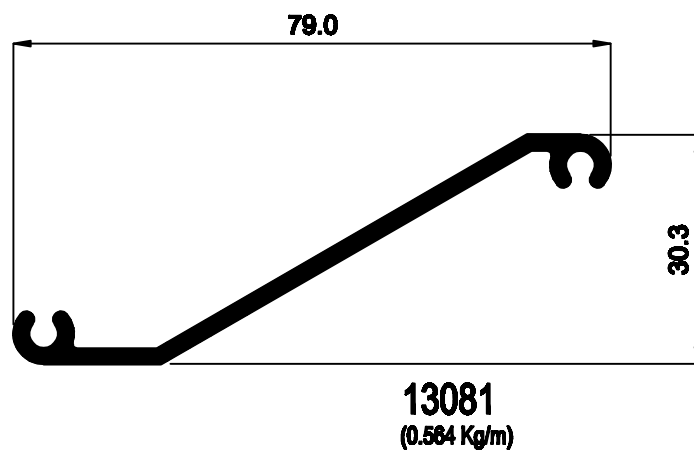
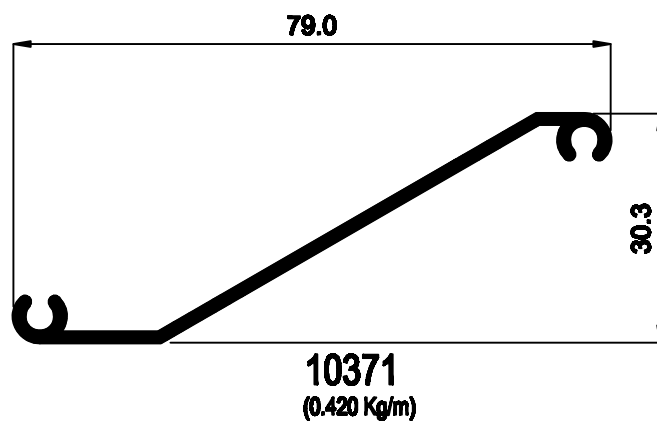
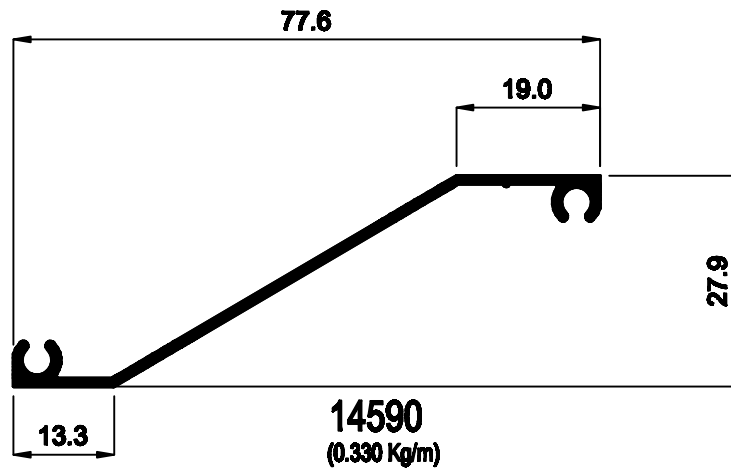


LOUVER

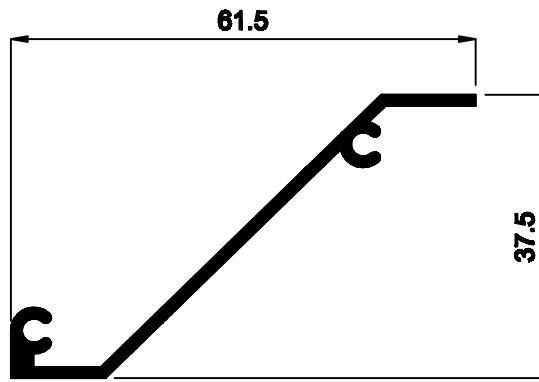
LOUVERS



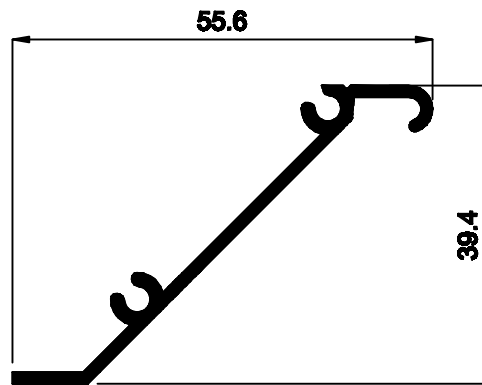
LOUVERS



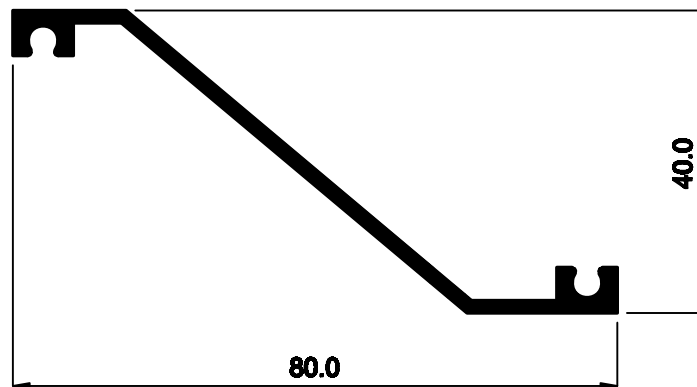
LOUVERS



11899
(0.396 Kg/m)

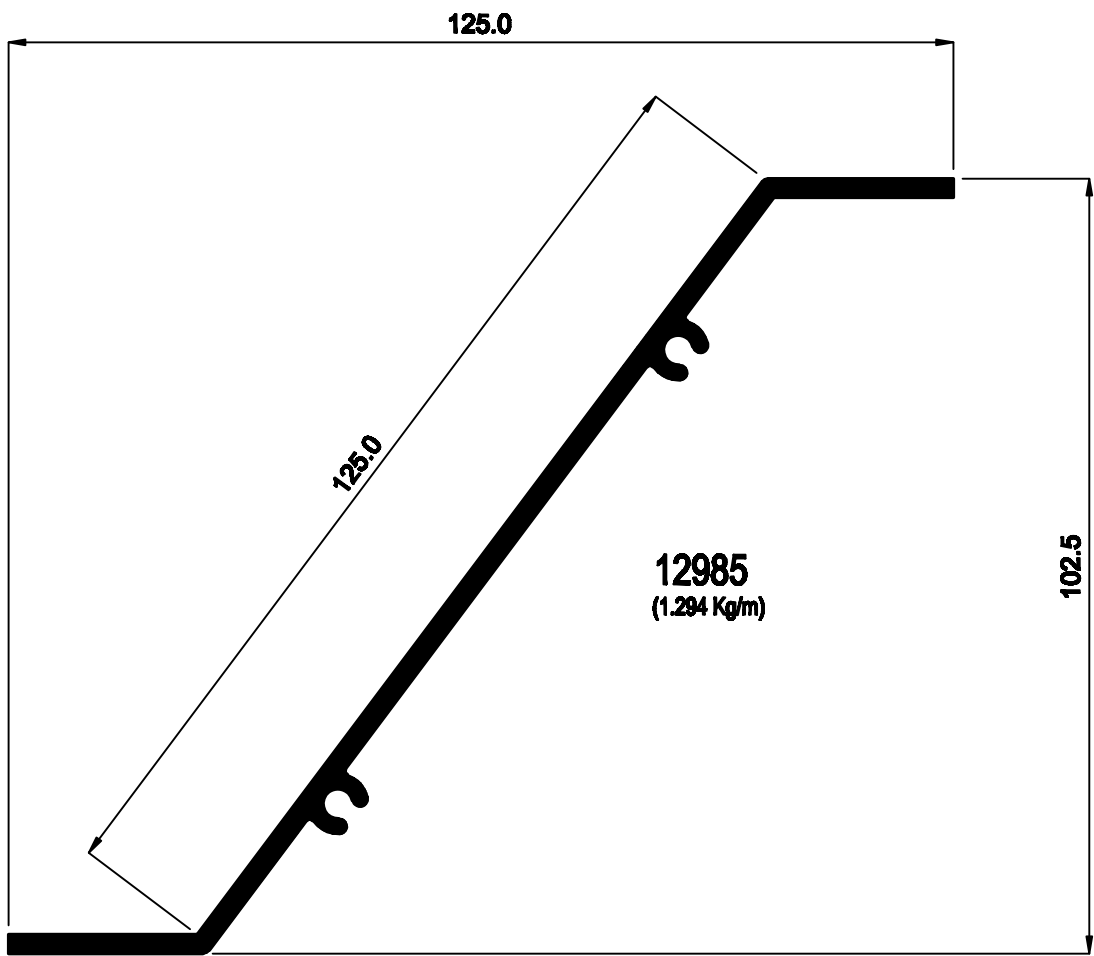
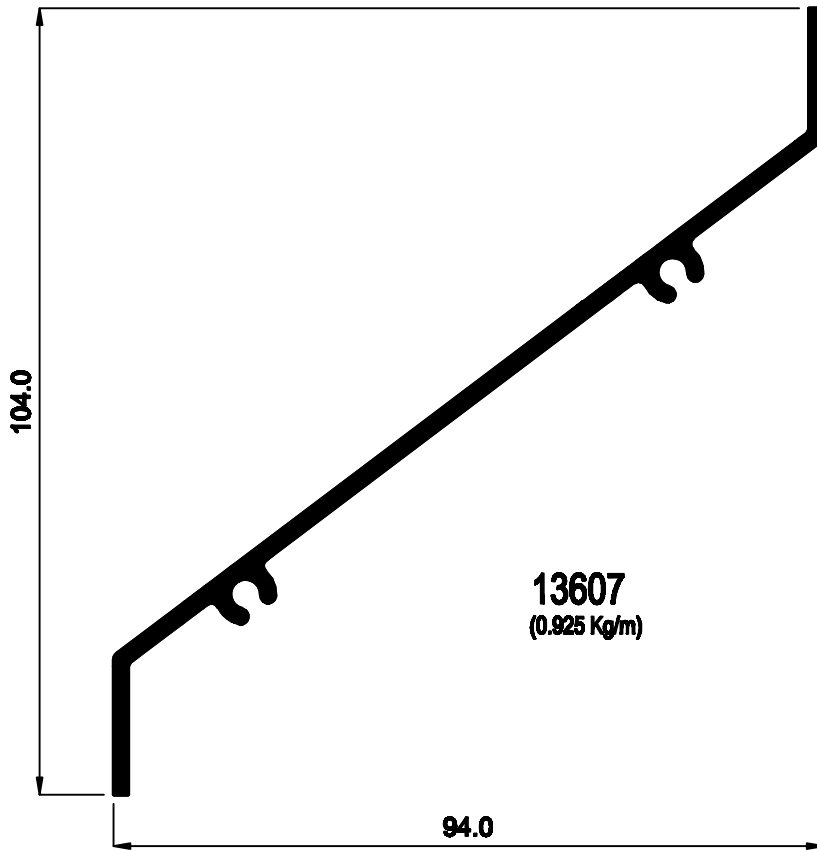


13924
(0.389 Kg/m)

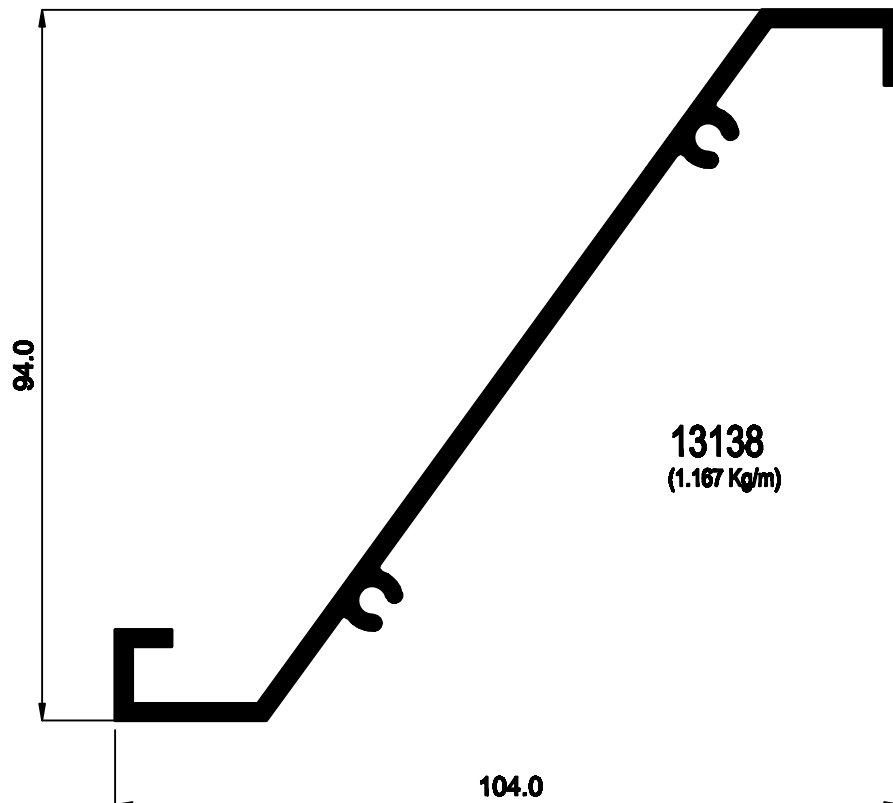
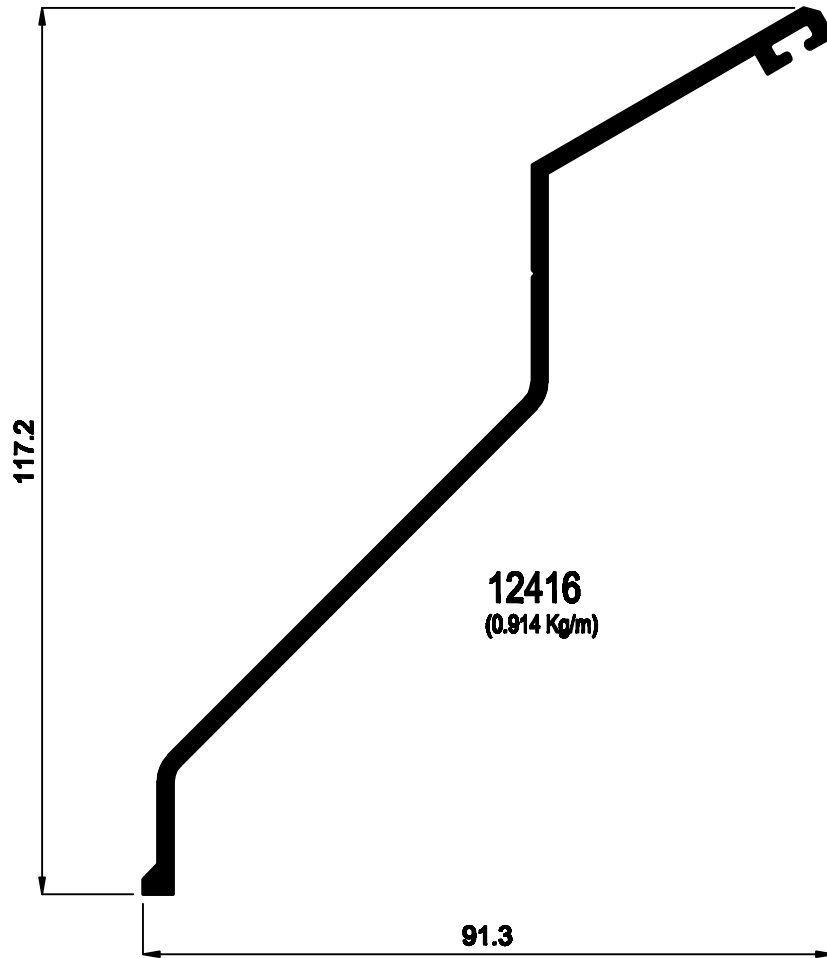


10155
(0.595 Kg/m)

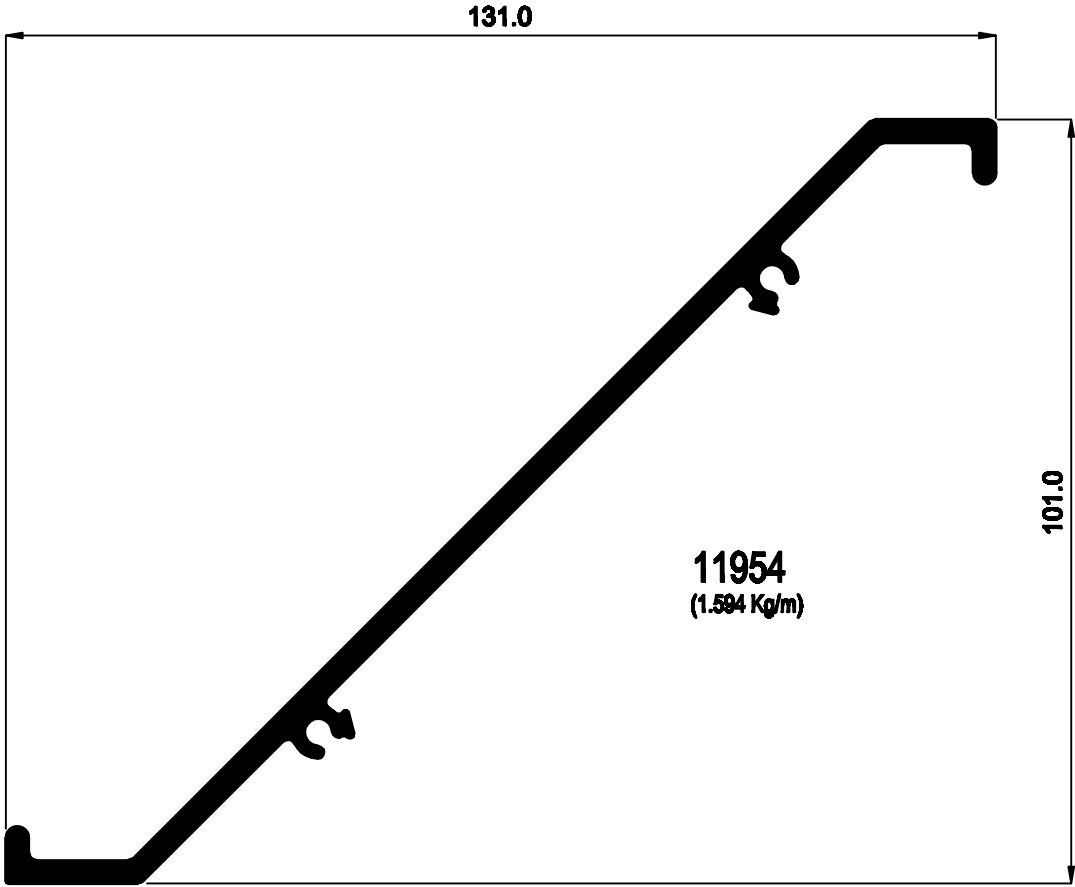
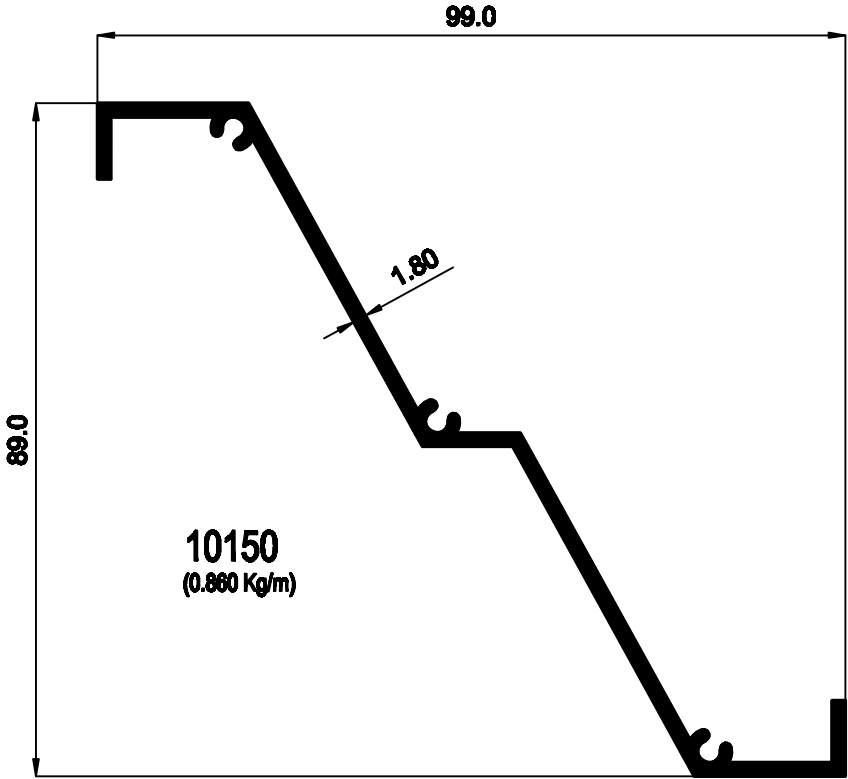
LOUVERS



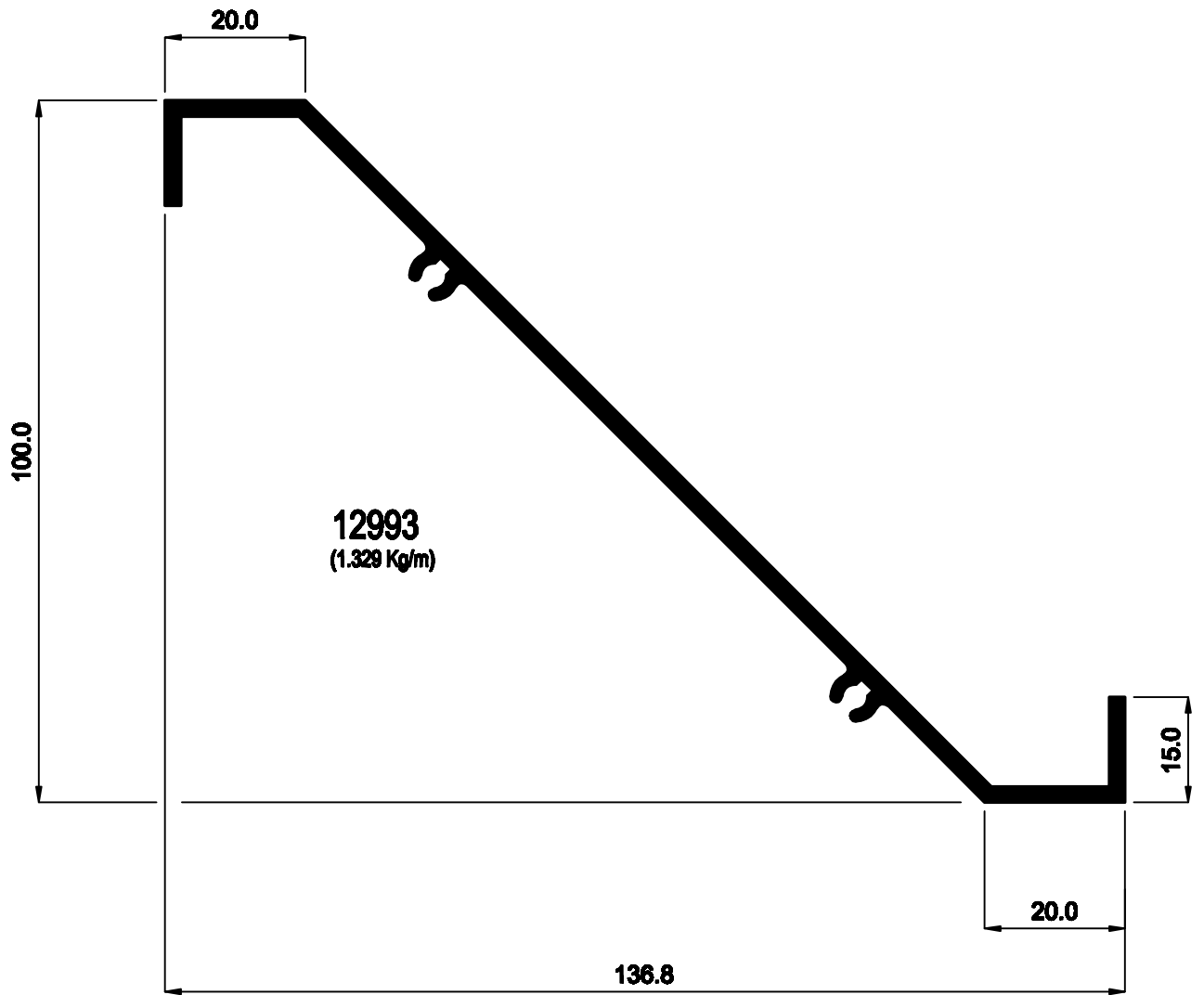
LOUVERS



LOUVERS



LOUVERS

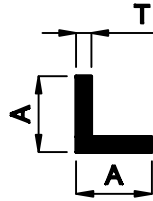




STANDARD PROFILES

STANDARD PROFILES

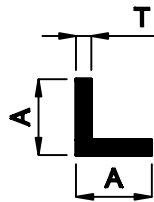
EQUAL ANGLES



Sec.No.	A (mm)	B (mm)	T (mm)	Wt/m (kg)	Remarks
11229	15.00	15.00	1.00	0.078	
11691	15.00	15.00	1.20	0.093	
10029	15.00	15.00	1.50	0.116	
11228	20.00	20.00	1.00	0.105	
11104	20.00	20.00	1.20	0.126	
10227	20.00	20.00	1.30	0.138	
13112	20.00	20.00	1.40	0.146	
10051	20.00	20.00	1.50	0.155	
11077	25.00	25.00	1.10	0.145	
10057	25.00	25.00	1.50	0.196	
13113	25.00	25.00	2.00	0.259	
11466	25.00	25.00	3.00	0.381	
11193	25.40	25.40	1.00	0.134	
12451	25.40	25.40	1.59	0.211	
11127	25.40	25.40	3.00	0.387	
12447	25.40	25.40	3.18	0.408	
12842	25.40	25.40	6.35	0.762	
11227	30.00	30.00	1.00	0.159	
10577	30.00	30.00	1.30	0.206	
10199	30.00	30.00	1.50	0.238	
13107	30.00	30.00	2.00	0.313	
13108	30.00	30.00	2.50	0.388	
13109	30.00	30.00	2.80	0.432	
10513	30.00	30.00	3.00	0.462	
10027	30.00	30.00	4.85	0.739	
10028	30.30	30.30	2.50	0.387	
11262	31.80	31.80	3.00	0.491	
11076	35.00	35.00	3.50	0.628	
10512	38.00	38.00	3.00	0.591	
12446	38.10	38.10	3.18	0.626	

STANDARD PROFILES

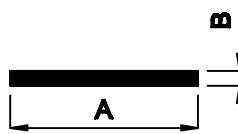
EQUAL ANGLES



Sec.No.	A (mm)	B (mm)	T (mm)	Wt/m (kg)	Remarks
11263	38.10	38.10	6.00	1.137	
11785	40.00	40.00	1.30	0.276	
10301	40.00	40.00	2.00	0.422	
10056	40.00	40.00	3.00	0.621	
10514	40.00	40.00	3.60	0.743	
10200	40.00	40.00	3.80	0.788	
10224	40.00	40.00	4.00	0.826	
11464	40.00	40.00	5.00	1.013	
11385	44.50	44.50	3.00	0.697	
10703	50.00	50.00	2.00	0.529	
12443	50.00	50.00	3.00	0.786	
10029	50.00	50.00	4.00	1.033	
10225	50.00	50.00	5.00	1.291	
12872	50.00	50.00	6.00	1.523	
14430	50.00	50.00	8.00	1.987	
11189	50.80	50.80	3.00	0.799	
12444	50.80	50.80	3.18	0.844	
12449	50.80	50.80	4.76	1.245	
11264	50.80	50.80	6.00	1.549	
12445	50.80	50.80	6.35	1.633	
13993	60.00	60.00	16.50	4.611	
12835	63.50	63.50	6.35	2.069	
11265	76.20	76.20	3.00	1.210	
11323	76.20	76.20	4.50	1.797	
11190	76.20	76.20	6.00	2.372	
12452	76.20	76.20	6.35	2.504	
11479	80.00	80.00	8.00	3.283	
13314	90.00	90.00	2.00	0.961	
11191	101.60	101.60	6.00	3.195	
12450	152.40	152.40	12.70	10.016	

STANDARD PROFILES

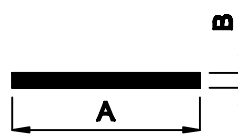
FLAT BARS



Sec.No.	A (mm)	B (mm)	Wt/m (kg)	Remarks
10995	12.50	3.60	0.122	
11092	15.00	3.00	0.122	
11266	19.10	3.00	0.155	
12033	19.10	4.50	0.232	
14315	20.00	5.00	0.270	
12250	25.00	2.00	0.135	
13702	25.00	6.00	0.405	
11201	25.40	1.00	0.069	
11267	25.40	3.00	0.206	
12034	25.40	4.50	0.309	
13156	27.20	10.10	0.727	
12885	30.00	2.00	0.162	
12467	30.00	3.00	0.243	
12468	30.00	5.00	0.405	
11339	31.80	3.00	0.258	
11736	32.00	2.00	0.173	
11844	32.00	3.00	0.259	
14274	32.00	16.00	1.382	
14275	32.00	25.0	2.160	
10044	35.00	25.0	2.353	
14276	38.00	19.0	1.949	
14277	38.00	25.0	2.565	
11268	38.10	3.00	0.309	
12035	38.10	4.50	0.463	
11126	38.10	6.00	0.617	
11324	40.00	2.00	0.214	
11465	40.00	3.00	0.324	
10147	40.00	4.00	0.430	
12469	40.00	5.00	0.540	
12470	40.00	8.00	0.864	

STANDARD PROFILES

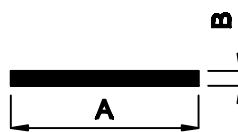
FLAT BARS



Sec.No.	A (mm)	B (mm)	Wt/m (kg)	Remarks
14316	40.00	10.00	1.080	
14278	40.00	20.00	2.160	
12886	50.00	2.900	0.392	
12994	50.00	3.200	0.432	
10030	50.00	4.000	0.538	
12471	50.00	5.000	0.675	
14279	50.00	16.00	2.160	
14280	50.00	19.00	2.565	
11270	50.80	3.000	0.411	
11338	50.80	6.000	0.823	
11196	50.80	9.000	1.234	
12461	50.80	12.70	1.742	
14281	50.80	25.40	3.484	
12458	50.80	38.10	5.226	
10741	60.00	6.000	0.972	
11869	76.20	3.000	0.617	
11921	76.20	3.200	0.658	
11121	76.20	6.000	1.234	
12460	76.20	12.70	2.613	
14284	76.20	16.00	3.292	
14285	76.20	19.05	3.919	
14286	76.20	25.40	5.226	
12808	80.00	4.000	0.864	
11480	80.00	8.000	1.728	
12465	80.00	10.00	2.160	
11383	84.00	17.50	3.969	
11974	90.00	6.000	1.458	
10882	94.50	3.500	0.893	
11481	95.00	8.000	2.052	
11038	100.00	3.000	0.805	

STANDARD PROFILES

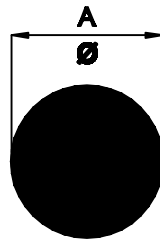
FLAT BARS



Sec.No.	A (mm)	B (mm)	Wt/m (kg)	Remarks
13017	100.00	4.000	1.080	
10742	100.00	6.000	1.620	
12466	100.00	10.00	2.700	
14287	101.40	50.80	13.908	
12459	101.60	6.350	1.742	
14288	101.60	12.70	3.484	
14289	101.60	16.00	4.389	
14290	101.60	19.05	5.226	
14291	101.60	25.40	6.968	
14292	127.00	12.70	4.355	
14293	127.00	16.00	5.486	
14294	127.00	25.45	8.727	
14317	140.00	20.00	7.560	
11471	150.00	6.000	2.430	
11836	150.00	8.000	3.240	
11507	150.00	12.70	5.144	
14295	150.00	25.00	10.125	
14296	150.00	30.00	12.150	
14297	152.40	12.70	5.226	
14298	152.40	16.00	6.584	
14299	152.40	19.05	7.839	
13018	200.00	5.000	2.700	
10365	200.00	10.00	5.405	
14300	202.00	16.000	8.726	
14301	238.00	16.000	10.282	
14302	254.00	12.70	8.710	
14303	254.00	19.000	13.030	

STANDARD PROFILES

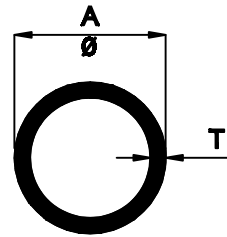
ROUND BARS



Sec.No.	A (mm)	Wt/m (kg)	Remarks
10045	6.00	0.076	
12843	6.35	0.086	
10208	8.00	0.137	
11122	9.53	0.193	
14245	10.00	0.212	
10046	12.00	0.304	
11269	12.70	0.342	
12182	15.80	0.529	
12430	16.00	0.543	
11125	19.10	0.774	
11295	25.40	1.368	
14246	35.00	2.598	
14247	36.00	2.748	
14248	38.00	3.062	
14249	40.00	3.393	
12464	41.28	3.613	
14250	45.00	4.294	
12462	50.80	5.472	
14251	57.00	6.890	
14252	60.00	7.634	
14253	63.00	8.417	
12463	69.85	10.346	
14254	70.00	10.391	

STANDARD PROFILES

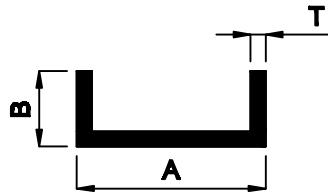
ROUND TUBE



Sec.No.	A (mm)	T (mm)	Wt/m (kg)	Remarks
20959	12.00	1.50	0.134	
22243	12.70	1.63	0.161	
22426	15.60	1.20	0.147	
20209	16.00	3.00	0.333	
21636	18.00	1.00	0.144	
21410	19.00	1.00	0.153	
20307	20.50	1.30	0.212	
20767	25.00	4.00	0.713	
21288	25.40	1.50	0.304	
21295	25.40	3.00	0.570	
20416	29.00	1.50	0.350	
21072	31.80	3.00	0.733	
20715	32.00	3.00	0.738	
20417	33.00	1.50	0.401	
20719	33.30	3.00	0.771	
20723	35.00	5.00	1.272	
21296	38.00	2.80	0.838	
20497	40.00	3.00	0.945	
21354	44.50	3.00	1.056	
20764	45.00	2.25	0.816	
22021	48.00	4.00	1.493	
22635	48.30	4.47	1.662	
22742	50.00	1.90	0.775	
20499	50.00	2.00	0.815	
20500	50.00	2.50	1.010	
22743	50.00	2.90	1.159	
22244	50.80	1.63	0.680	
23129	50.80	1.63	0.678	
21074	50.80	3.00	1.216	
20766	53.50	2.00	0.874	

STANDARD PROFILES

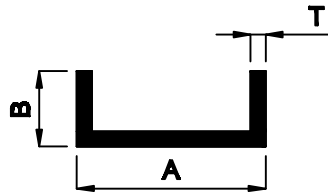
UNEQUAL CHANNELS



Sec.No.	A (mm)	B (mm)	T (mm)	Wt/m (kg)	Remarks
10334	11.50	10.00	1.30	0.102	Rounded Corners
12252	12.30	19.00	1.50	0.192	
10980	15.00	10.00	1.50	0.130	
11783	20.00	16.00	1.10	0.148	
10372	20.00	25.00	2.00	0.356	
10477	20.00	30.50	3.00	0.608	
10335	23.00	15.00	1.30	0.177	Rounded Corners
12442	23.00	40.00	1.50	0.405	
10302	25.00	20.00	1.60	0.267	
10962	25.00	38.00	2.00	0.524	
13651	27.80	18.00	4.40	0.684	
12454	31.80	12.70	3.18	0.435	
11437	32.00	3.500	1.50	0.146	
12062	32.00	20.00	1.50	0.279	
13834	32.00	30.00	2.50	0.587	
11231	30.00	32.00	2.50	0.601	
10740	34.00	20.00	1.50	0.288	
13828	35.50	50.00	2.00	0.680	Rounded Corners
11778	36.00	20.00	1.50	0.296	
11389	38.00	20.00	1.50	0.304	
14116	38.00	46.00	3.00	1.004	
10283	40.00	8.000	2.00	0.281	
11484	40.00	20.00	1.00	0.211	
10108	40.00	20.00	1.30	0.271	
10048	40.00	20.00	2.00	0.409	
11391	40.00	60.00	4.00	1.642	
11309	45.00	20.00	1.25	0.296	
10450	45.00	20.00	1.50	0.356	
11616	45.00	21.50	3.00	0.664	
14473	45.00	32.30	2.00	0.515	

STANDARD PROFILES

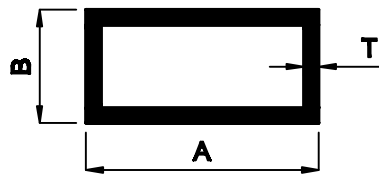
UNEQUAL CHANNELS



Sec.No.	A (mm)	B (mm)	T (mm)	Wt/m (kg)	Remarks
10917	47.70	10.20	1.50	0.261	
10285	50.00	16.60	1.60	0.346	
13047	50.00	25.00	1.30	0.341	
12851	50.80	25.40	3.18	0.818	
13526	50.80	38.10	6.35	1.960	
14477	58.00	23.00	3.00	0.794	
10947	60.00	20.00	2.00	0.518	
10406	60.00	30.00	3.00	0.924	
10128	63.50	38.10	3.20	1.153	
12856	70.00	35.00	2.00	0.734	
12456	76.20	25.40	3.18	1.034	
10126	76.20	38.10	3.20	1.263	
11499	76.20	38.10	6.00	2.274	
13097	80.00	50.00	5.00	2.295	
12807	100.00	20.00	2.00	0.734	
11600	100.00	43.00	3.00	1.458	
11123	101.60	50.80	6.00	3.097	
12457	101.60	50.80	6.35	3.266	
10148	120.00	35.00	2.50	1.245	
14380	121.20	30.00	6.00	2.738	
11194	127.00	50.80	6.00	3.509	
11920	152.00	44.00	3.20	2.009	Rounded Corners
12881	200.00	25.00	2.50	1.654	

STANDARD PROFILES

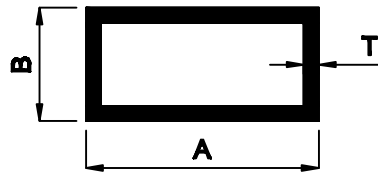
RECTANGULAR TUBE



Sec.No.	A (mm)	B (mm)	T (mm)	Wt/m (kg)	Remarks
20888	20.00	10.00	1.30	0.192	
22651	25.00	20.00	2.00	0.443	
20749	27.00	10.00	1.30	0.241	
22675	32.00	20.00	1.30	0.382	
20880	34.00	21.00	1.50	0.421	
20915	35.00	20.00	2.00	0.467	Rounded corners
22691	38.10	19.05	3.25	0.889	
22216	38.10	25.40	3.25	1.001	
21581	40.00	20.00	1.00	0.313	
21066	40.00	20.00	1.10	0.343	
20103	40.00	20.00	1.30	0.402	
21569	40.00	20.00	1.35	0.395	Rounded corners
24243	40.00	20.00	1.50	0.462	
20047	40.00	20.00	1.70	0.517	
20496	40.00	20.00	1.80	0.550	
22234	40.00	20.00	2.00	0.605	
22132	40.00	20.00	3.00	0.875	Rounded corners
22534	40.00	26.00	3.20	1.030	
21210	45.00	10.00	1.30	0.368	
22767	50.00	20.00	1.50	0.543	
22344	50.00	20.00	1.80	0.645	
22741	50.00	20.00	2.00	0.713	
22345	50.00	25.00	1.90	0.731	
22218	50.00	25.00	3.00	1.118	
25016	50.00	30.00	2.00	0.821	
21141	50.80	25.40	2.00	0.780	
21293	50.80	25.40	2.80	1.067	
20762	60.00	20.00	1.50	0.624	
20323	60.00	30.00	1.50	0.707	
20910	60.00	40.00	2.00	1.037	

STANDARD PROFILES

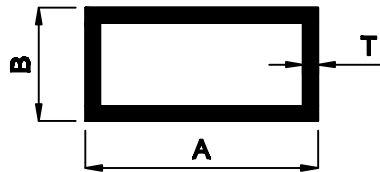
RECTANGULAR TUBE



Sec.No.	A (mm)	B (mm)	T (mm)	Wt/m (kg)	Remarks
22235	60.00	40.00	3.00	1.523	
22236	60.00	40.00	4.00	1.987	
20990	63.50	53.00	3.00	1.790	
21570	70.00	20.00	1.35	0.641	Rounded corners
22108	75.00	35.00	1.10	0.640	
20546	75.00	35.00	1.30	0.754	
21387	76.20	25.40	2.00	1.054	
21311	76.20	38.10	2.00	1.191	
21416	76.20	38.10	2.80	1.644	
21279	76.20	50.80	2.00	1.328	
20991	80.00	15.00	1.30	0.649	
21796	80.00	20.00	1.10	0.581	
21058	80.00	20.00	1.20	0.632	
20684	80.00	20.00	1.30	0.684	
20412	80.00	20.00	1.50	0.786	
20763	80.00	25.00	2.00	1.091	
21129	80.00	40.00	1.10	0.700	
21043	80.00	40.00	1.20	0.762	
20306	80.00	40.00	1.50	0.954	
20406	80.00	40.00	2.00	1.254	
20045	80.00	40.00	3.00	1.840	
22237	80.00	40.00	4.00	2.419	
25015	90.00	50.00	2.00	1.469	
21128	100.00	15.00	1.10	0.670	
20757	100.00	15.00	1.30	0.790	
21126	100.00	20.00	1.10	0.700	
20686	100.00	20.00	1.30	0.825	
20409	100.00	20.00	1.50	0.949	
20017	100.00	20.00	2.00	1.248	Rounded corners
20112	100.00	25.00	3.00	1.930	

STANDARD PROFILES

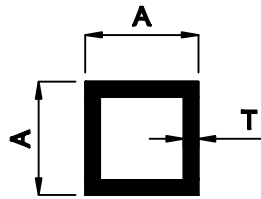
RECTANGULAR TUBE



Sec.No.	A (mm)	B (mm)	T (mm)	Wt/m (kg)	Remarks
24760	100.00	30.00	2.00	1.361	
21780	100.00	40.00	1.25	0.928	
20685	100.00	40.00	1.30	0.965	
20102	100.00	40.00	1.50	1.117	
22020	100.00	40.00	2.00	1.469	
22602	100.00	40.00	3.00	2.171	
20016	100.00	45.00	1.80	1.369	
22019	100.00	45.00	2.50	1.890	
20827	100.00	45.00	4.00	2.959	
20305	100.00	50.00	1.50	1.192	
20852	100.00	50.00	2.00	1.577	
21885	100.00	50.00	2.50	1.958	
21886	100.00	50.00	3.00	2.333	
22347	100.00	50.00	3.50	2.703	
22632	100.00	50.00	5.00	3.780	
24564	100.00	60.00	2.00	1.685	
20495	100.00	70.00	1.65	1.485	
24563	100.00	80.00	20.00	1.901	
20203	100.75	58.45	4.00	3.288	
21277	101.60	25.40	2.00	1.328	
22214	101.60	25.40	3.25	2.116	
21278	101.60	50.80	3.00	2.372	
22213	101.60	50.80	3.18	2.504	
24114	106.00	18.00	1.50	0.980	
24260	110.00	18.00	1.50	1.102	
24115	114.00	18.00	1.50	1.044	
21656	115.00	75.00	2.50	2.495	
21525	120.00	45.00	2.50	2.160	
25017	122.00	50.00	2.00	1.814	
22469	124.00	35.00	1.80	1.510	

STANDARD PROFILES

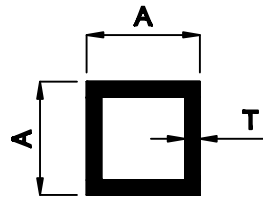
SQUARE TUBE



Sec.No.	A (mm)	A (mm)	T (mm)	Wt/m (kg)	Remarks
21276	12.70	12.70	1.50	0.181	
24230	16.00	16.00	1.00	0.162	
20572	16.00	16.00	1.50	0.235	
20046	20.00	20.00	1.50	0.298	
22194	20.00	20.00	1.90	0.371	
25024	22.00	22.00	1.60	0.352	
20909	25.00	25.00	1.30	0.333	
22739	25.00	25.00	1.80	0.451	
22740	25.00	25.00	2.80	0.671	
21274	25.40	25.40	2.00	0.505	
21289	25.40	25.40	3.00	0.726	
22215	25.40	25.40	3.18	0.762	
20618	26.00	26.00	1.40	0.372	
20619	30.00	30.00	1.30	0.403	
22225	30.00	30.00	2.00	0.605	
22229	30.00	30.00	3.00	0.875	
21356	31.80	31.80	2.00	0.644	
21415	31.80	31.80	2.80	0.877	
20551	35.00	35.00	1.30	0.473	
21298	38.10	38.10	2.00	0.780	
21290	38.10	38.10	3.00	1.137	
22217	38.10	38.10	3.18	1.198	
21222	40.00	40.00	1.00	0.421	
21040	40.00	40.00	1.10	0.462	
21586	40.00	40.00	1.20	0.503	
20106	40.00	40.00	1.30	0.543	
20028	40.00	40.00	1.50	0.621	
20386	40.00	40.00	2.00	0.824	
22226	40.00	40.00	3.00	1.199	
22230	40.00	40.00	4.00	1.555	

STANDARD PROFILES

SQUARE TUBE

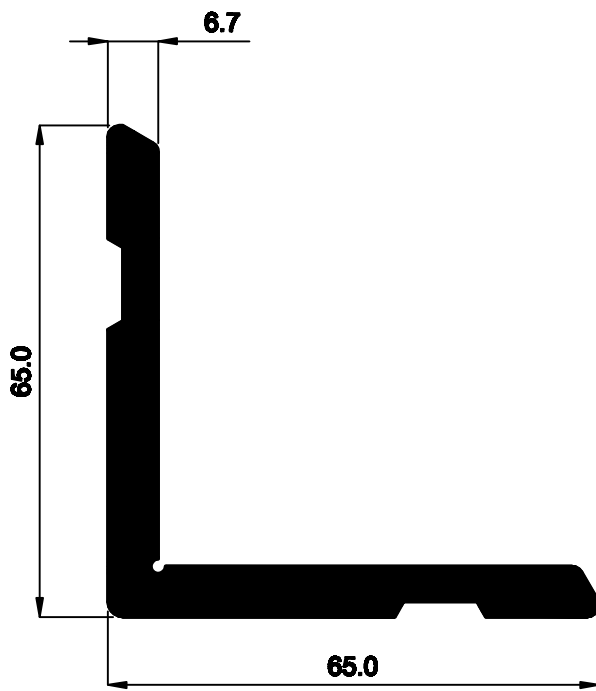


Sec.No.	A (mm)	A (mm)	T (mm)	Wt/m (kg)	Remarks
21873	44.50	44.50	2.00	0.918	
20493	44.50	44.50	2.50	1.134	
21510	44.50	44.50	3.00	1.345	
20350	50.00	50.00	1.30	0.685	
22195	50.00	50.00	1.75	0.912	
20593	50.00	50.00	2.00	1.037	
21994	50.00	50.00	2.80	1.427	
22346	50.00	50.00	3.00	1.523	
22231	50.00	50.00	4.00	1.987	
21291	50.80	50.80	3.00	1.549	
22212	50.80	50.80	3.25	1.670	
21142	50.80	50.80	6.00	2.903	
21438	53.00	53.00	5.00	2.534	
22232	60.00	60.00	3.00	1.847	
22227	60.00	60.00	4.00	2.419	
22355	70.00	70.00	1.60	1.182	
20177	75.00	75.00	1.80	1.417	
21355	76.20	76.20	2.00	1.603	
21275	76.20	76.20	3.00	2.372	
23443	76.20	76.20	3.18	2.508	
21386	76.20	76.20	6.00	4.549	
20225	80.00	80.00	2.00	1.696	
20279	80.00	80.00	3.00	2.500	
22233	80.00	80.00	4.00	3.283	
20325	80.00	80.00	6.00	4.793	
20865	90.00	90.00	3.00	2.819	
20324	100.00	100.00	2.00	2.199	
22211	100.00	100.00	3.00	3.143	
22228	100.00	100.00	4.00	4.147	
21547	100.00	100.00	6.00	6.091	

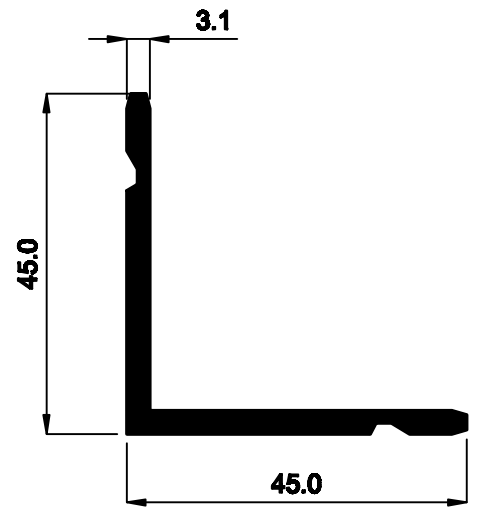


MISCELLANEOUS
PROFILES

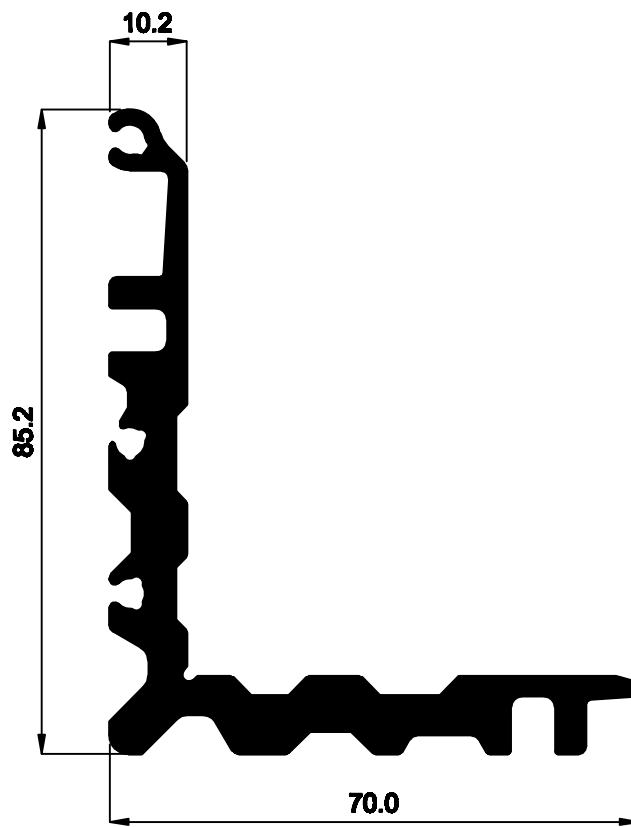
MISCELLANEOUS



11743
(2.067 Kg/m)

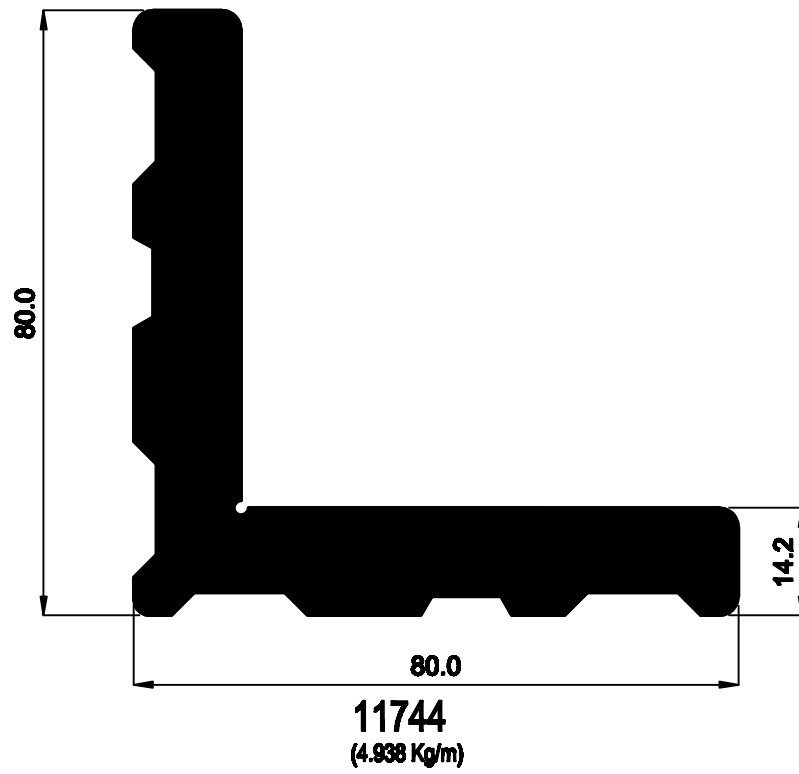
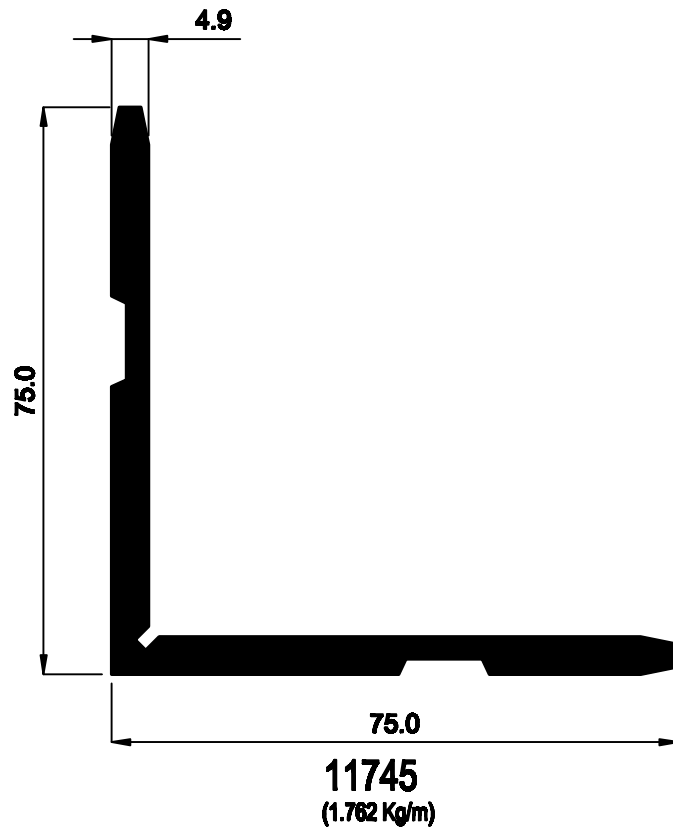


10054
(0.705 Kg/m)

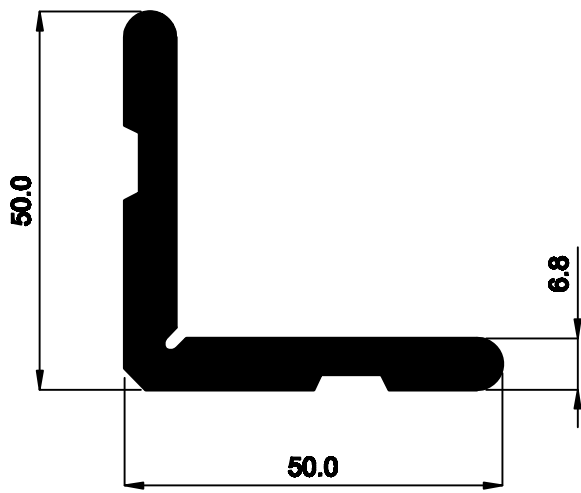


11746
(2.424 Kg/m)

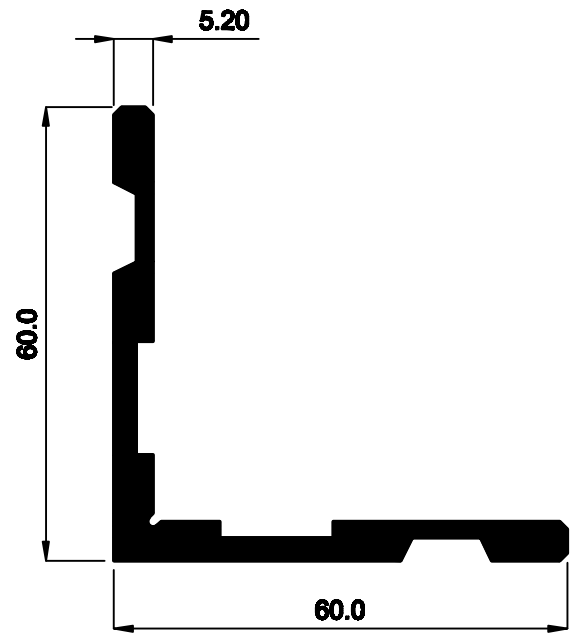
MISCELLANEOUS



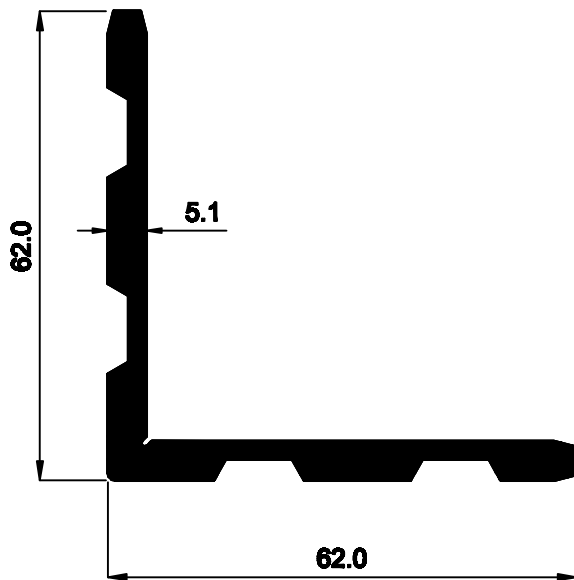
MISCELLANEOUS



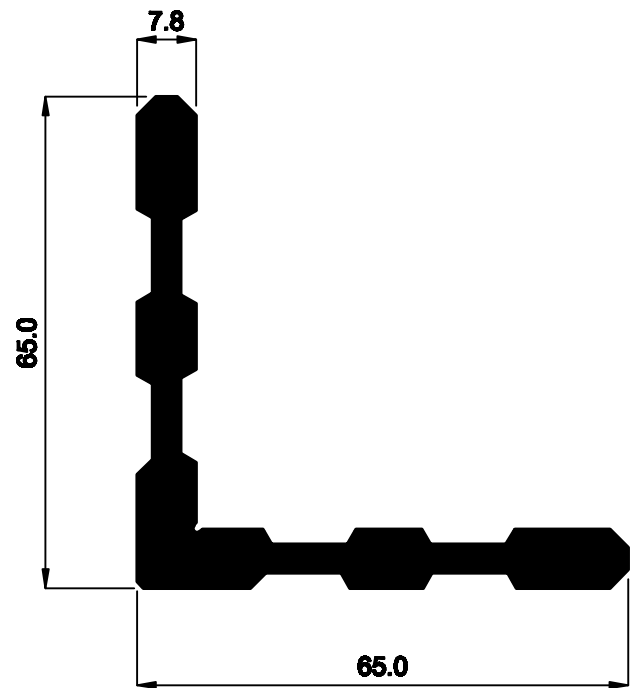
10751
(1.584 Kg/m)



110051
(1.254 Kg/m)

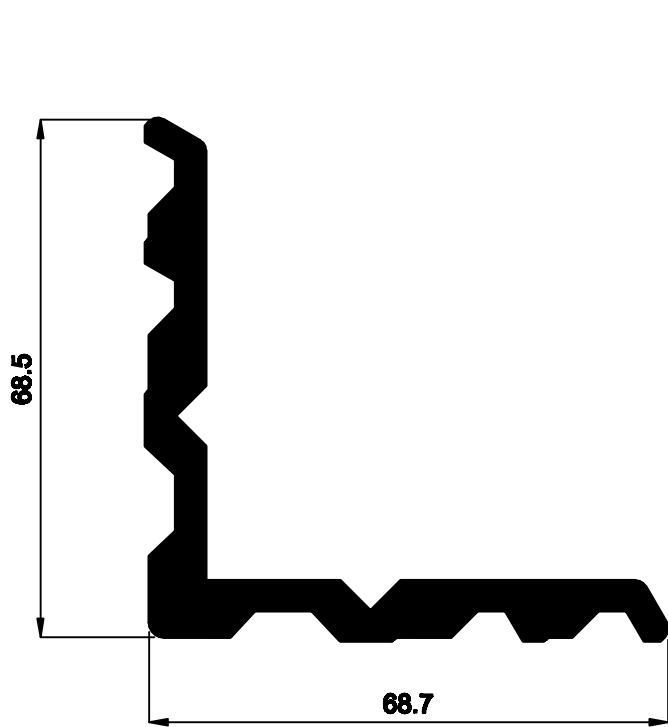


14372
(1.313 Kg/m)

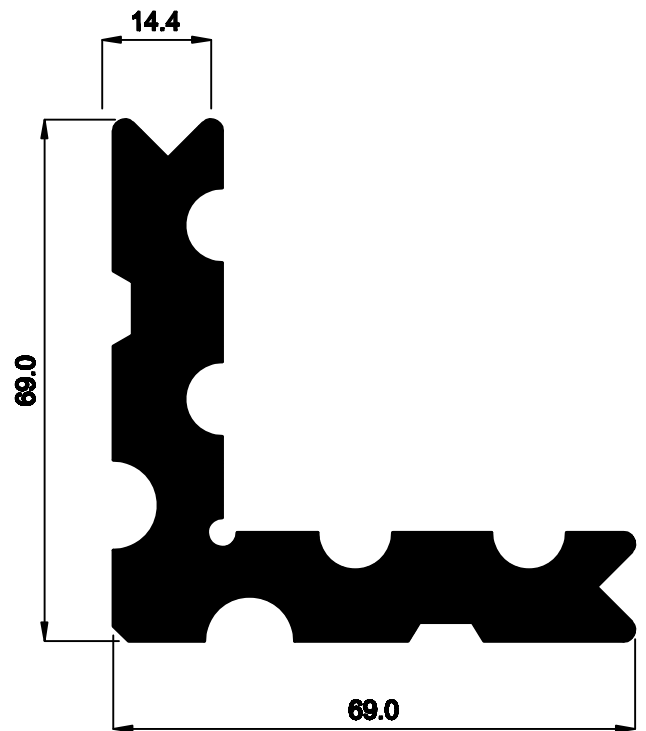


10288
(1.945 Kg/m)

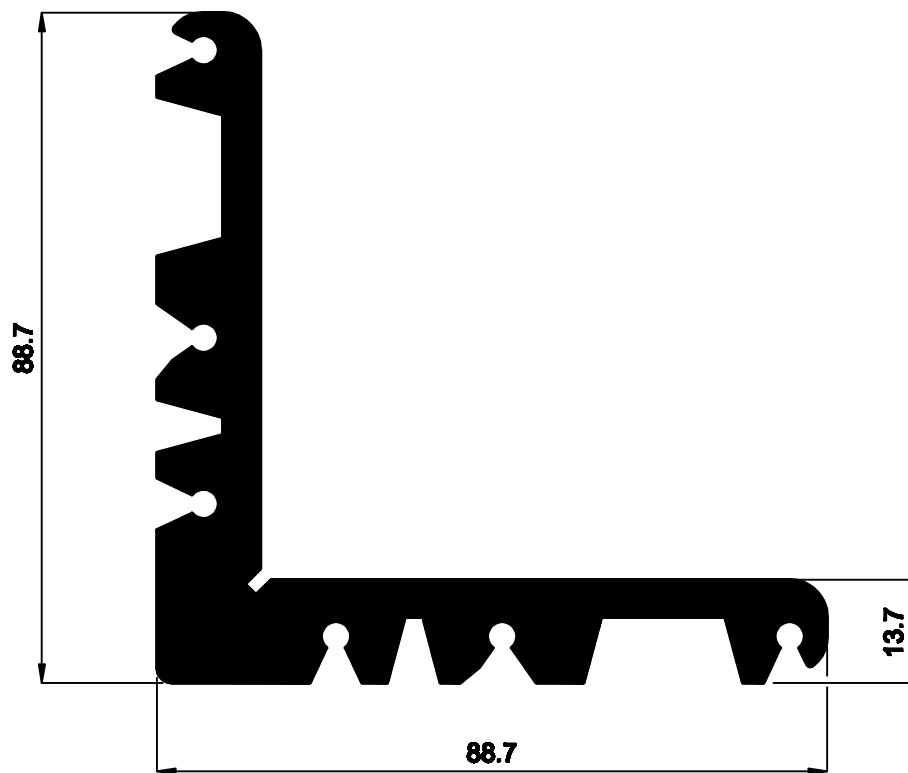
MISCELLANEOUS



11523
(2.072 Kg/m)

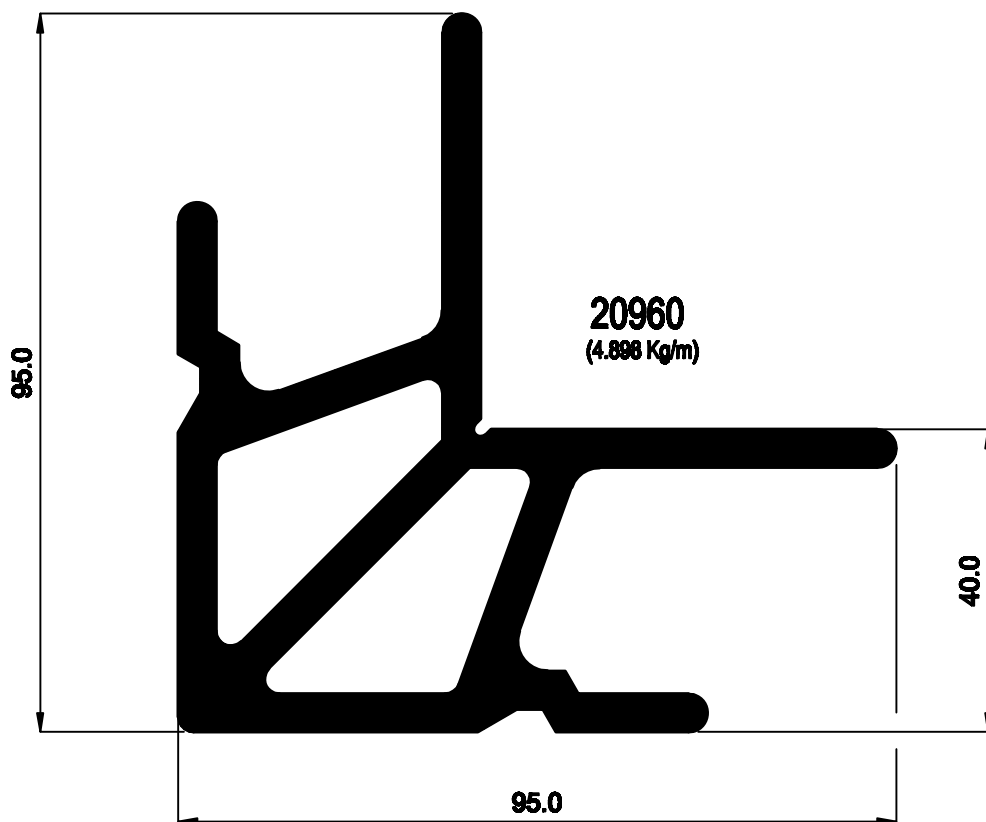
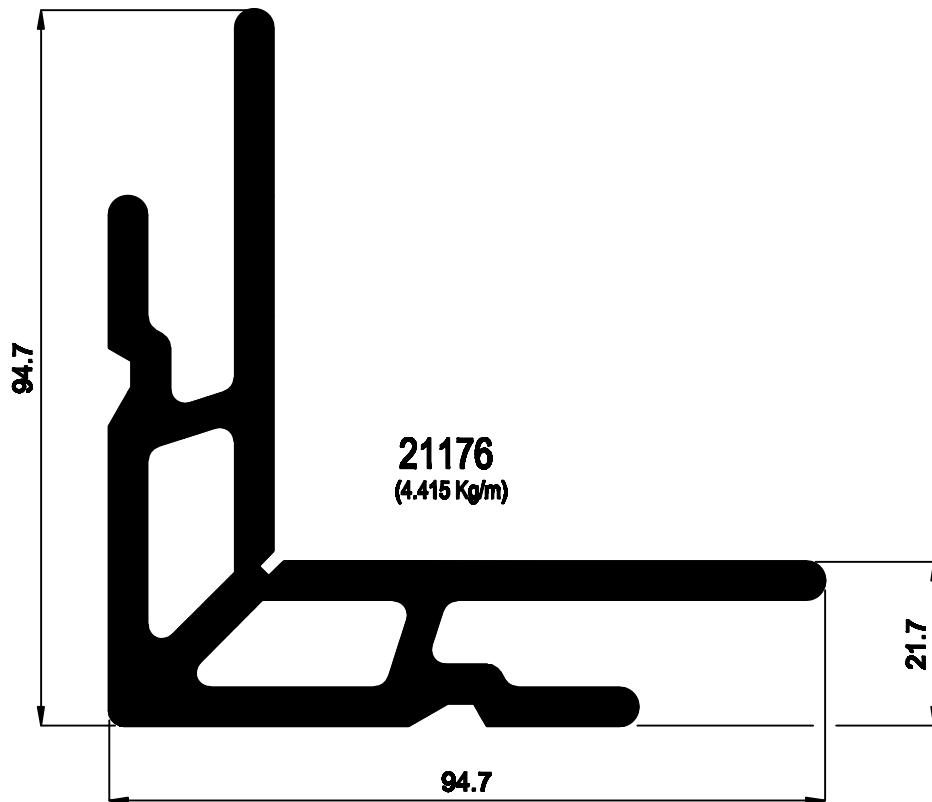


10903
(3.785 Kg/m)

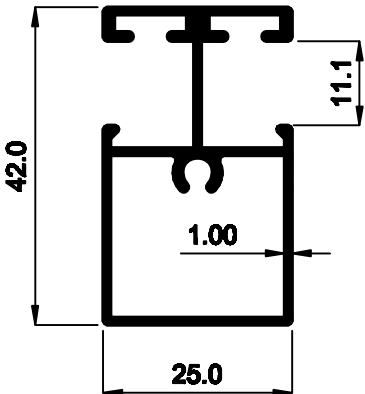


11221
(4.302 Kg/m)

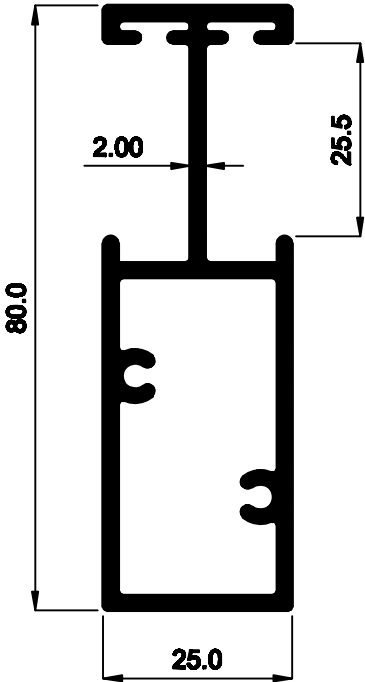
MISCELLANEOUS



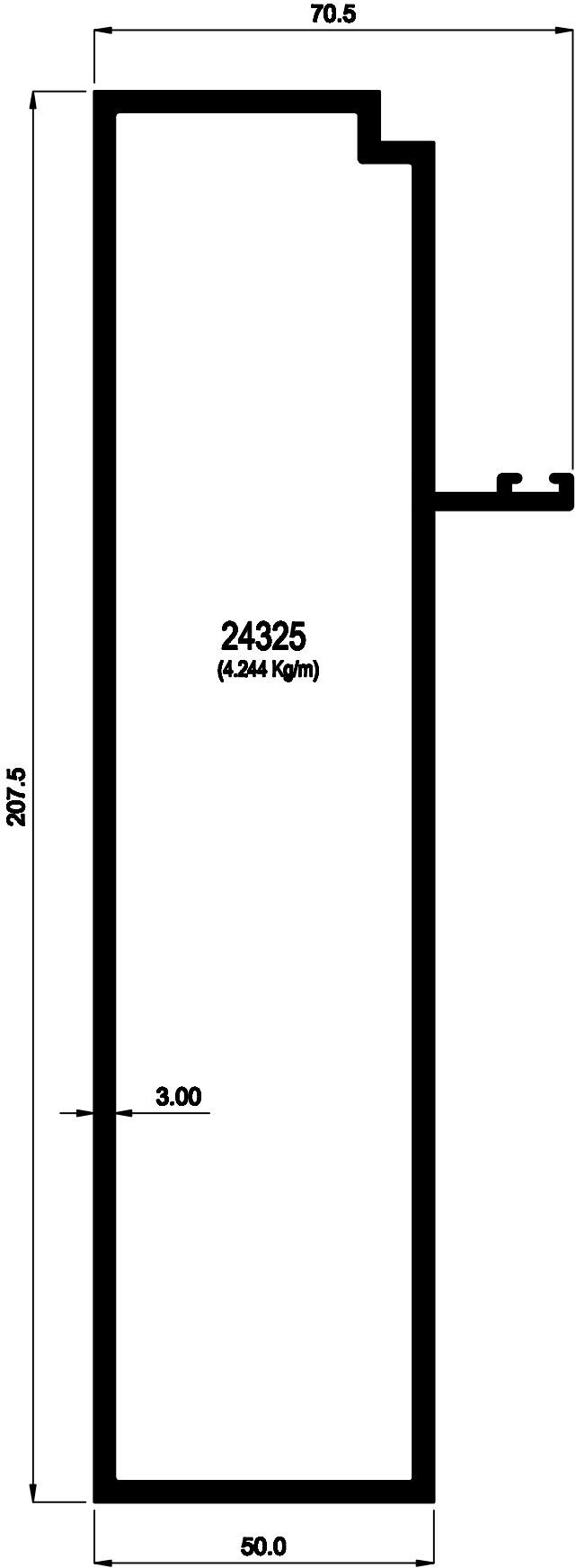
MISCELLANEOUS



24339
(0.508 Kg/m)

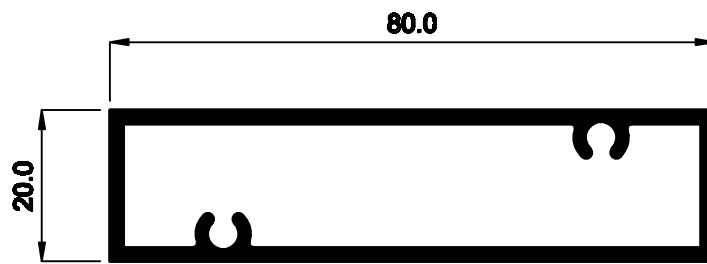


24679
(1.248 Kg/m)

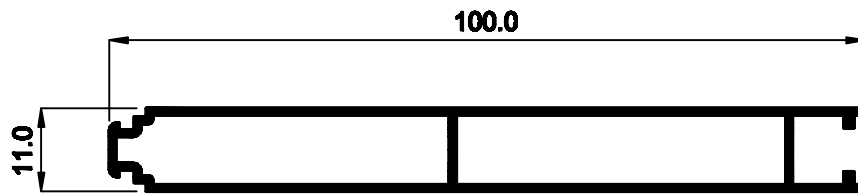


24325
(4.244 Kg/m)

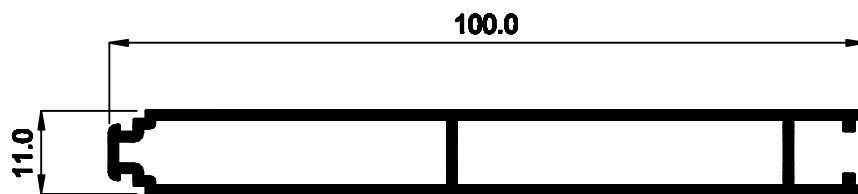
MISCELLANEOUS



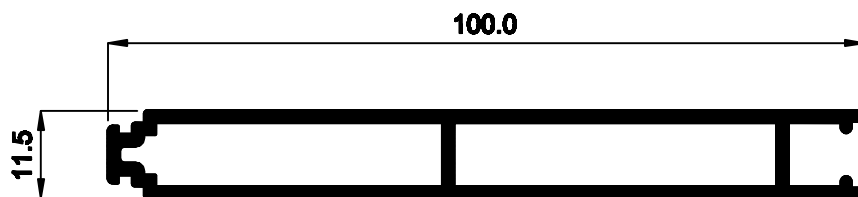
24551
(1.014 Kg/m)



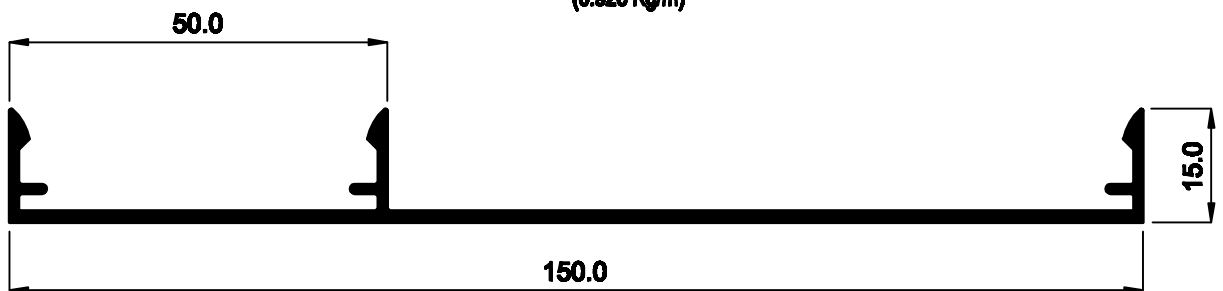
24342
(0.569Kg/m)



23558
(0.686 Kg/m)

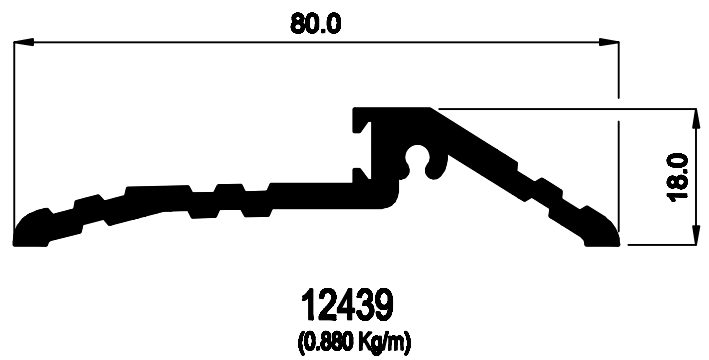
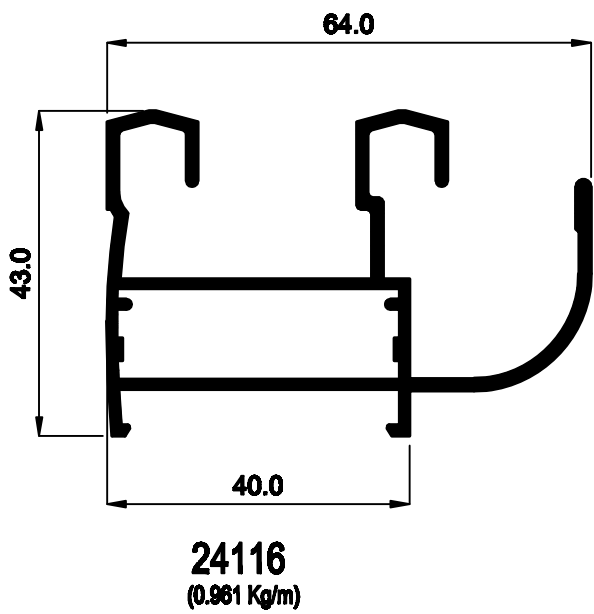
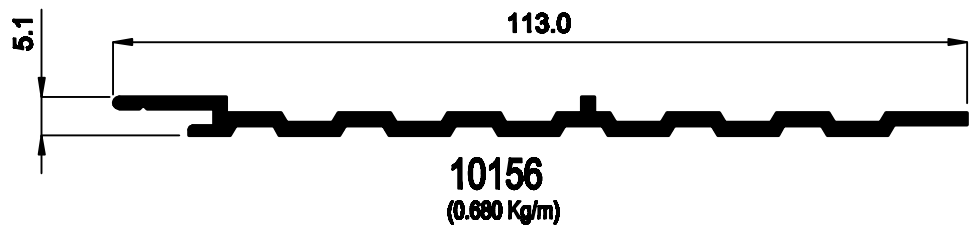
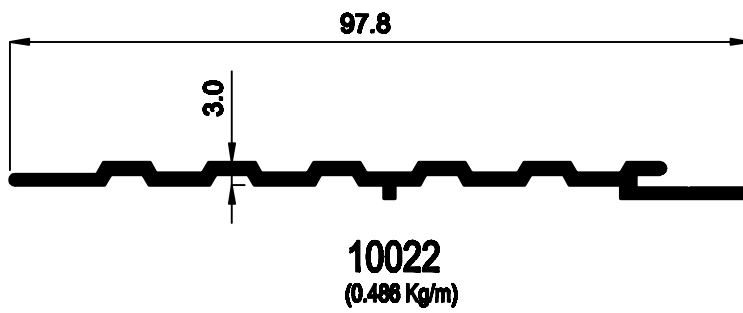
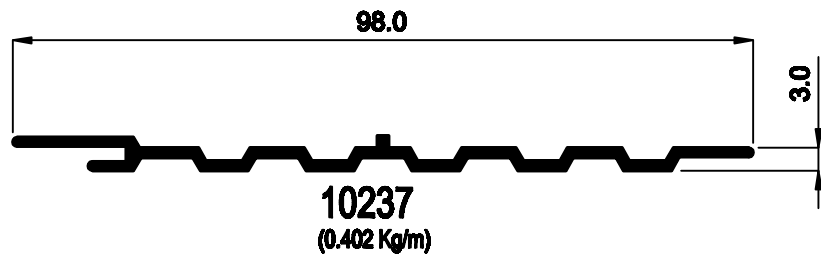


21770
(0.926 Kg/m)

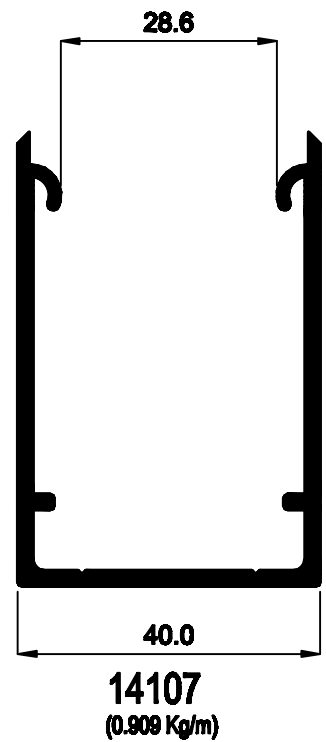
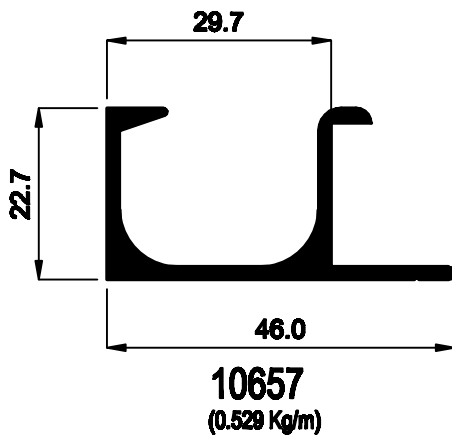
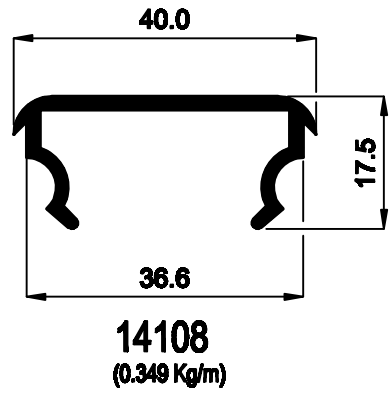
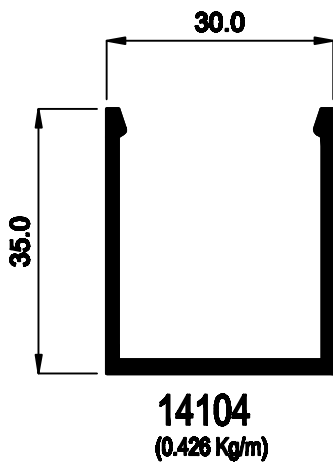
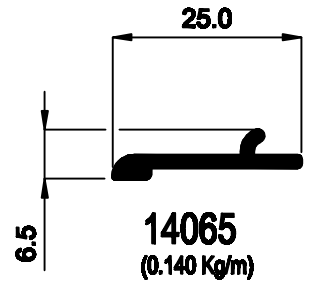
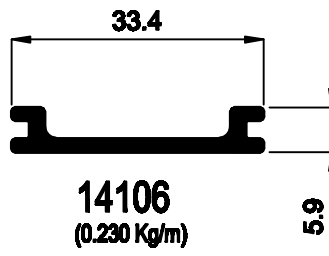
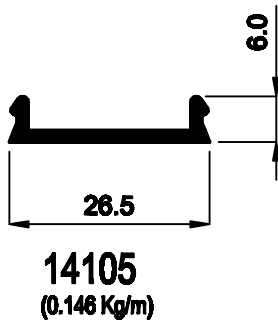


14155
(0.799 Kg/m)

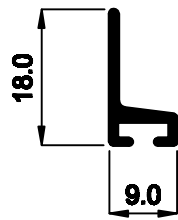
MISCELLANEOUS



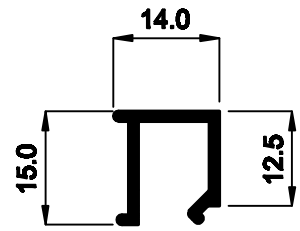
MISCELLANEOUS



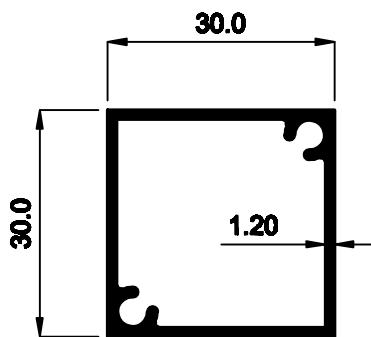
MISCELLANEOUS



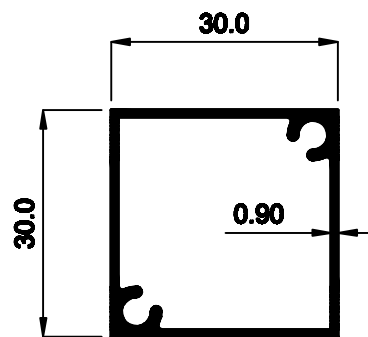
11387
(0.108 Kg/m)



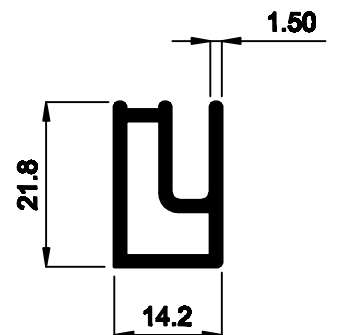
10088
(0.162 Kg/m)



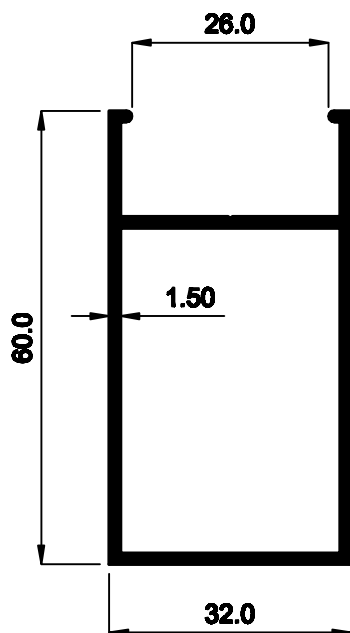
22634
(0.425 Kg/m)



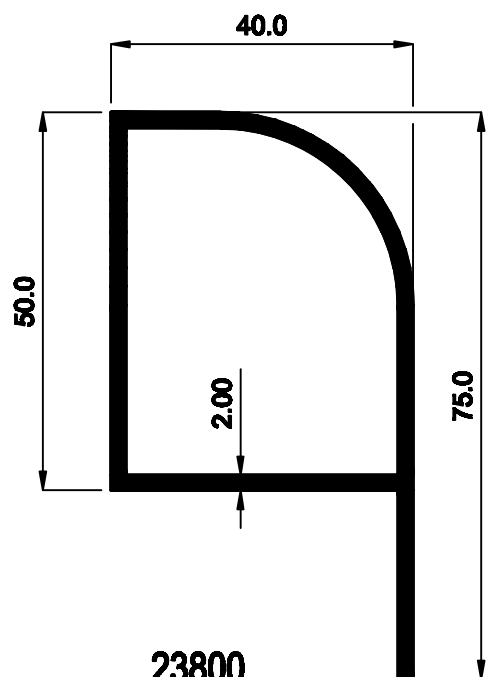
24341
(0.350 Kg/m)



24244
(0.316 Kg/m)

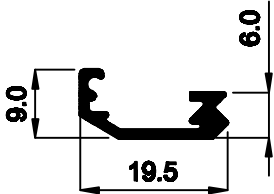


24628
(0.732 Kg/m)

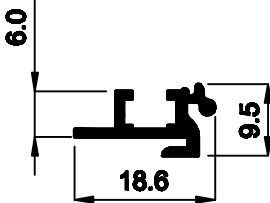


23800
(1.007 Kg/m)

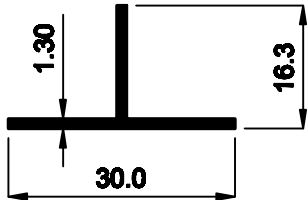
MISCELLANEOUS



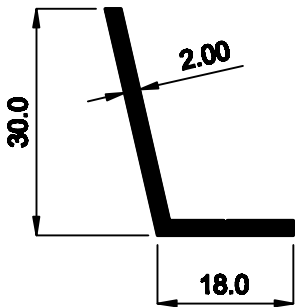
14112
(0.118 Kg/m)



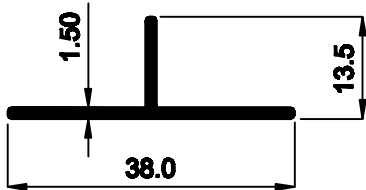
14113
(0.125 Kg/m)



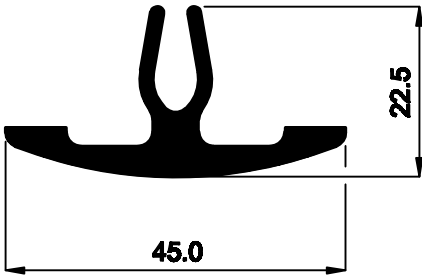
10665
(0.158 Kg/m)



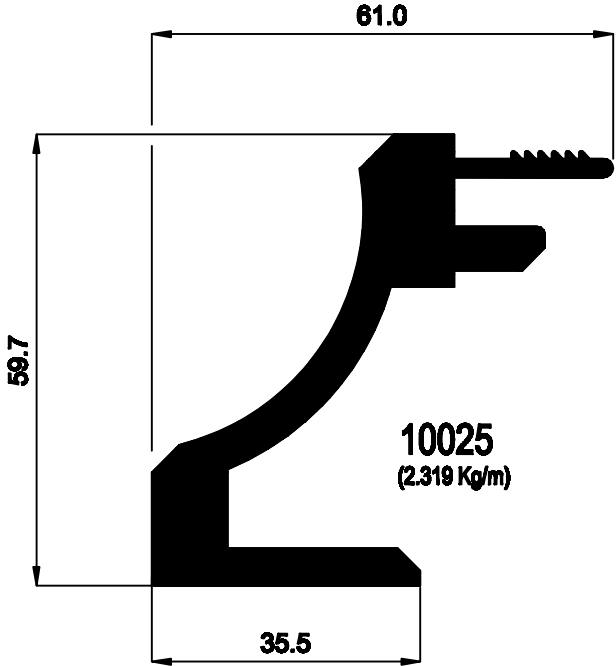
10653
(0.253 Kg/m)



12602
(0.202 Kg/m)



10627
(0.635 Kg/m)



10025
(2.319 Kg/m)



"This catalogue version is updated until 31st December 2014".



Extruding Omani Creativity

OMAN

Corporate Office and Factory
National Aluminium Products Co.
PO Box 15
Rusayl, PC 124 Sultanate of Oman
Phone: 00968-24446450
00968-24446453/ 24446449
Fax: 00968- 24446453/ 24446449
E-Mail: info@napco.co.om
sales@napco.co.om

UNITED ARAB EMIRATES

Branch Office- Dubai
National Aluminium Products Co.
PO Box 116912
Dubai, United Arab Emirates
Phone: 009714-3354531
009714-3354531
Fax: 009714-3355728
E-mail: napcodub@emirates.net.ae